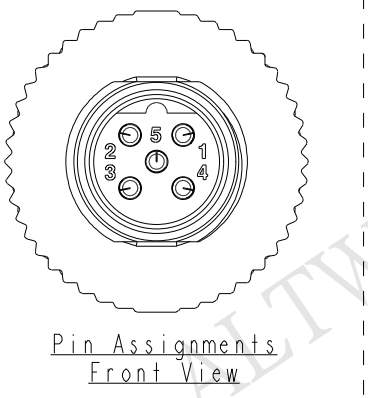
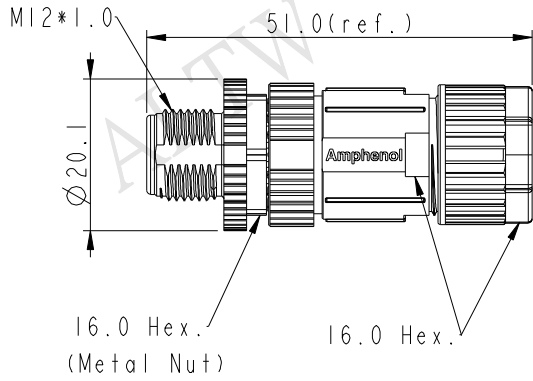
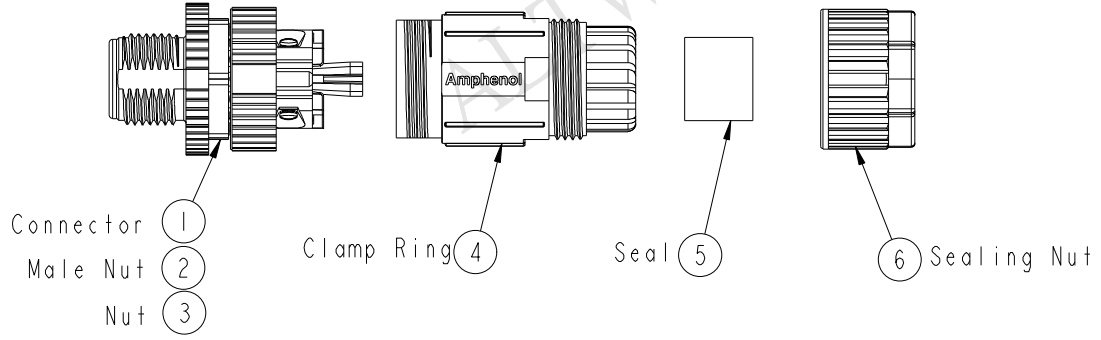


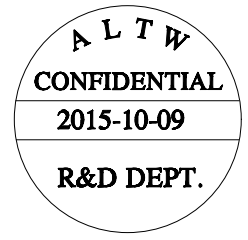
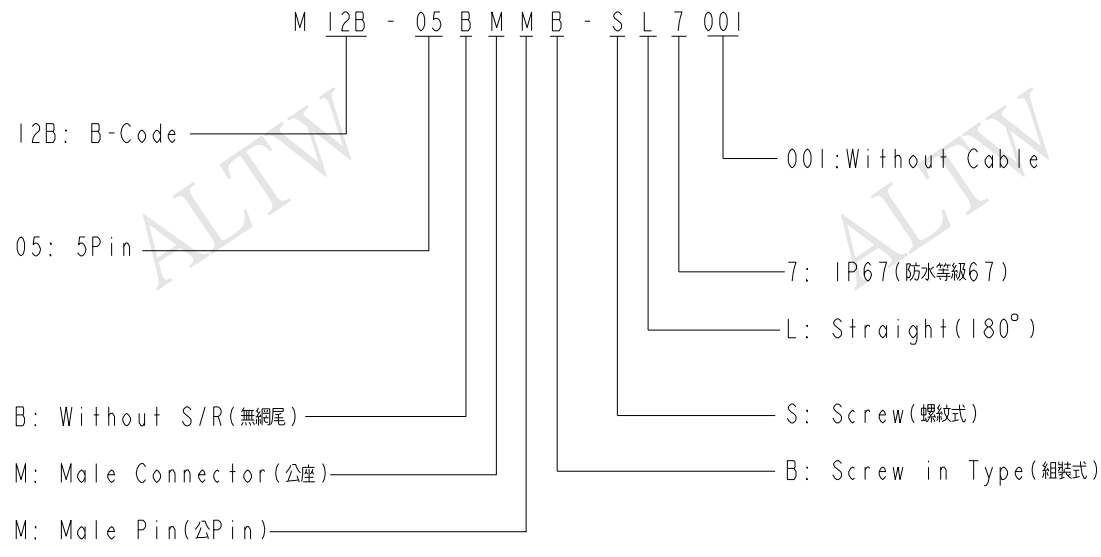
REV.	ECN NO.	DATE	SIGN	DESCRIPTION
A	Initial Release	2015/10/09	Mila	Change Rev. I To Rev.A

ALTW  
**CONFIDENTIAL**  
 2015-10-09  
 R&D DEPT.



A	UNIT:mm	TITLE M12 B-Code Unshielded Assy 5PIN M Conn M Pin		<b>Amphenol LTW</b> 安費諾亮泰企業股份有限公司	ITEM NO M12B-05BMMB-SL7001	DRAWN BY Mila	DATE 2015-10-09	
	TOLERANCE ±0.5mm	SCALE 1:1	SIZE A4		SHEET 1 OF 2	DWG NO M12B-05BMMB-SL7001	CHECKED BY Cary	DATE 2015-10-09
	REV. A	WC-REV. A.2	QC: Inspection item		CUSTOMER ALTW	APPROVED BY Jerry	DATE 2015-10-09	

THIS DOCUMENT IS SUBJECT TO CHANGE WITHOUT NOTICE. IT IS CONFIDENTIAL AND A PROPERTY OF AMPHENOL LTW. DISCLOSURE TO THIRD PARTY HAS TO BE AUTHORIZED BY AMPHENOL LTW.



- Note:
- \*  $\text{QC}$  Important Dimension To Check.
  - \* Waterproof Rate: IP67
  - \* Housing: Nylon, Black
  - \* Male Pin: Copper Alloy, Gold Plated
  - \* Male Nut: Zinc Alloy, Nickel Plated
  - \* Nut: PBT+PC, Black
  - \* O-Ring: Silicon, Grey
  - \* Clamp Ring: Nylon, Black
  - \* Sealing Nut: PBT+PC, Black
  - \* Seal: Silicon, Grey
  - \* Seal For Cable OD:  $\varnothing 4.0\text{mm} \sim \varnothing 8.0\text{mm}$
  - \* Screws for Wire connection recommended tightening torque: 0.61~0.84 kgf.cm / 0.059~0.082 N.m
  - \* Applicable Wire gauge (Stranded wire cross section) 0.14mm<sup>2</sup> (26AWG) ~ 0.82mm<sup>2</sup> (18AWG)
  - \* Mating Recommended tightening torque: 3~4 kgf.cm / 0.29~0.39 N.m
  - \* Sealing-Nut Recommended tightening torque: 4~6 kgf.cm / 0.39~0.59 N.m
  - \* Detailed applicable wire specifications may vary depending on the actual wire construction.

UNIT: mm		TITLE		ITEM NO		DRAWN BY		DATE	
		M12 B-Code Unshielded Assy 5PIN M Conn M Pin		M12B-05BMMB-SL7001		Mila		2015-10-09	
		SCALE 1:1		SIZE A4		DWG NO M12B-05BMMB-SL7001		CHECKED BY Cary	
TOLERANCE $\pm 0.5\text{mm}$		REV. A		WC-REV. A.2		APPROVED BY Jerry		DATE 2015-10-09	
		SHEET 2 OF 2		CUSTOMER ALTW				8 FMM10702-01-02A1	
		: Inspection item		<b>Amphenol LTW</b> 安費諾亮泰企業股份有限公司					

## X-ON Electronics

Largest Supplier of Electrical and Electronic Components

*Click to view similar products for [Sensor Cables / Actuator Cables](#) category:*

*Click to view products by [Amphenol](#) manufacturer:*

Other Similar products are found below :

[60963](#) [60964](#) [M83513/19-F01CP](#) [703000D02F2002](#) [703001D02F0602](#) [703001D02F300](#) [704000D02F120](#) [773032K02F030](#) [802027107404-1](#)  
[802027213811-1](#) [804001A09M150](#) [805001A09M0502](#) [84914-0235](#) [84914-0237](#) [885030A09M020](#) [8R4J30E03C3003](#) [1200651332](#)  
[1200651713](#) [1200660844](#) [1200660845](#) [1200661173](#) [1200680071](#) [1200720053](#) [1200720081](#) [1200720099](#) [1200720217](#) [1200800231](#)  
[1200860125](#) [1200870123](#) [1200980102](#) [1200650267](#) [1200650298](#) [1200660183](#) [1200660782](#) [1200660849](#) [1200661295](#) [1200661297](#)  
[1200661342](#) [1200661343](#) [1200670080](#) [1200670220](#) [1200680331](#) [1200720252](#) [1200730184](#) [1200860344](#) [1200870359](#) [1200870643](#)  
[1200980008](#) [1200980031](#) [1210502211](#)