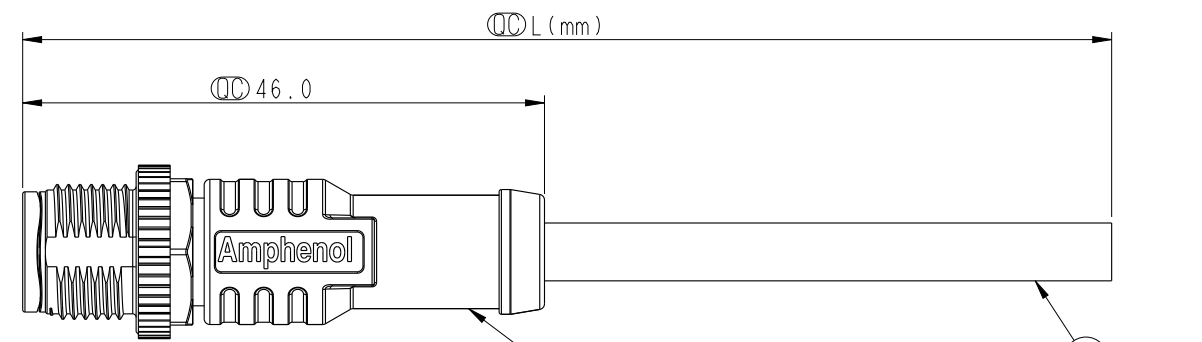


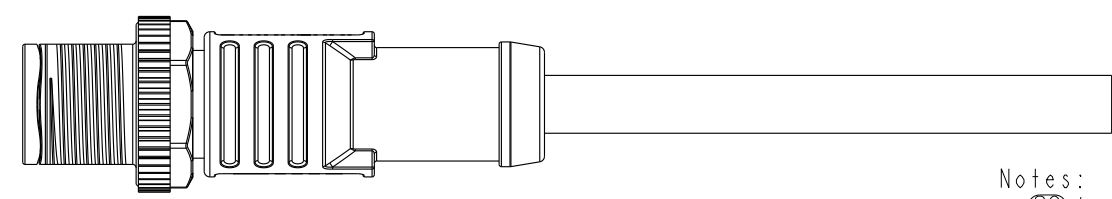
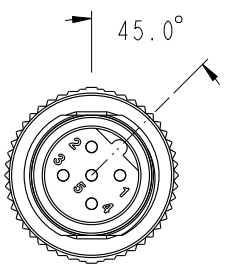
THIS DOCUMENT IS SUBJECT TO CHANGE WITHOUT NOTICE. IT IS CONFIDENTIAL AND A PROPERTY OF Amphenol LTW. DISCLOSURE TO THIRD PARTY HAS TO BE AUTHORIZED BY Amphenol LTW.

REV.	ECN NO.	DATE	SIGN	DESCRIPTION
A	Initial Release	2015-07-25	Feng_Li	Change Rev.01 To Rev.A
B	LEN1750120	2017-04-06	Lingpeng	Change The Cable OD

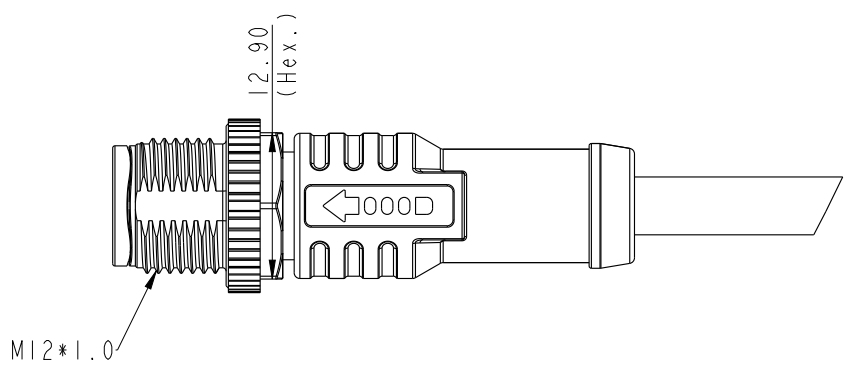


① M12B-05BMMM-SL8000
Color:Black

② Cable



- Notes:
- * \varnothing Important Dimension.
 - * Waterproof Rate: IP68.
 - * Connector: PU+GF,Black.
 - * Male Pin: Copper Alloy, Gold Plated.
 - * Screw Nut: Zinc Alloy, Nickel Plated.
 - * Outer Mold: PU,Black.
 - * Cable: (A) UL2517,PVC Jacket, Yellow.
(B) UL20549,PUR Jacket,Black.
(D) UL2517,PVC Jacket,Black.
 - * Rated Voltage: 60V dc. or ac.
 - * Rated Current: 4A
 - * Operating Temperature: -25~85°C
 - * Cable Length Tolerance: 01M:±40mm
02M~05M:±60mm
06M~10M:±100mm
11M~30M:±200mm
31M~99M:±500mm



UNIT:mm		
TOLERANCE		
±0.5mm		

TITLE M12 B Type Cable Male Conn.			
SCALE 3:2	SIZE A4	SHEET 1 OF 2	
REV. B	WC-REV. A.2	Ⓞ: Inspection item	

Amphenol LTW
安費諾亮泰企業股份有限公司

ITEM NO	DRAWN BY Lingpeng	DATE 2017-04-06
DWG NO M12B-05BMMM-SL8XXX	CHECKED BY Ma Fei	DATE 2017-04-06
CUSTOMER ALTW	APPROVED BY Jerry	DATE 2017-04-06

THIS DOCUMENT IS SUBJECT TO CHANGE WITHOUT NOTICE. IT IS CONFIDENTIAL AND A PROPERTY OF Amphenol LTW. DISCLOSURE TO THIRD PARTY HAS TO BE AUTHORIZED BY Amphenol LTW.

5P	PVC	5.1	22	MI2B-05BMMM-SL8DXX
5P	PUR	4.4	22	MI2B-05BMMM-SL8BXX
5P	PVC	5.1	22	MI2B-05BMMM-SL8AXX
Contacts	Cable Jacket	Cable OD	AWG	Item No.

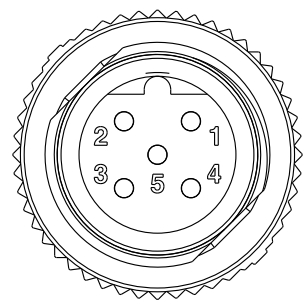
M I2B - 05 B M M M - S L 8 X XX

I2B: B-Code
 05: 5Pin
 B: Cable Without S/R (線端無網尾)
 M: Male Connector (公座)
 M: Male Pin (公Pin)
 M: Molding Type (射出成型)

XX: 01~99Meters
 01: 01Meter
 02: 02Meters
 :
 99: 99Meters

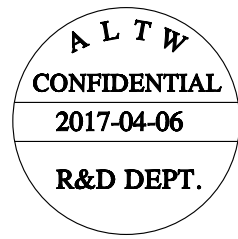
A: PVC UL2517 Cable, Black (PVC黃色外被線材)
 B: PUR UL20549 Cable, Yellow (PUR黑色外被線材)
 D: PVC UL2517 Cable, Black (PVC黑色外被線材)

8: IP68 (防水等級68)
 L: Straight (180°線端)
 S: Screw (螺紋式)



Pin Assignments
Front View

5	Gray	灰
4	Black	黑
3	Blue	藍
2	White	白
1	Brown	棕
Conn.	Wire Color	
	Pin Out	



UNIT:mm TOLERANCE ±0.5mm

TITLE MI2 B Type Cable Male Conn.			
SCALE 3:2	SIZE A4	SHEET 2 OF 2	
REV. B	WC-REV. A.2	QC: Inspection item	

Amphenol LTW
安費諾亮泰企業股份有限公司

ITEM NO	DRAWN BY Lingpeng	DATE 2017-04-06
DWG NO MI2B-05BMMM-SL8XXX	CHECKED BY Ma Fei	DATE 2017-04-06
CUSTOMER ALTW	APPROVED BY Jerry	DATE 2017-04-06

X-ON Electronics

Largest Supplier of Electrical and Electronic Components

Click to view similar products for [Sensor Cables / Actuator Cables](#) category:

Click to view products by [Amphenol](#) manufacturer:

Other Similar products are found below :

[60963](#) [60964](#) [M83513/19-F01CP](#) [703000D02F2002](#) [703001D02F0602](#) [703001D02F300](#) [704000D02F120](#) [773032K02F030](#) [802027107404-1](#)
[802027213811-1](#) [804001A09M150](#) [805001A09M0502](#) [84914-0235](#) [84914-0237](#) [885030A09M020](#) [8R4J30E03C3003](#) [1200651332](#)
[1200651713](#) [1200660844](#) [1200660845](#) [1200661173](#) [1200680071](#) [1200720053](#) [1200720081](#) [1200720099](#) [1200720217](#) [1200800231](#)
[1200860125](#) [1200870123](#) [1200980102](#) [1200650267](#) [1200650298](#) [1200660183](#) [1200660782](#) [1200660849](#) [1200661295](#) [1200661297](#)
[1200661342](#) [1200661343](#) [1200670080](#) [1200670220](#) [1200680331](#) [1200720252](#) [1200730184](#) [1200860344](#) [1200870359](#) [1200870643](#)
[1200980008](#) [1200980031](#) [1210502211](#)