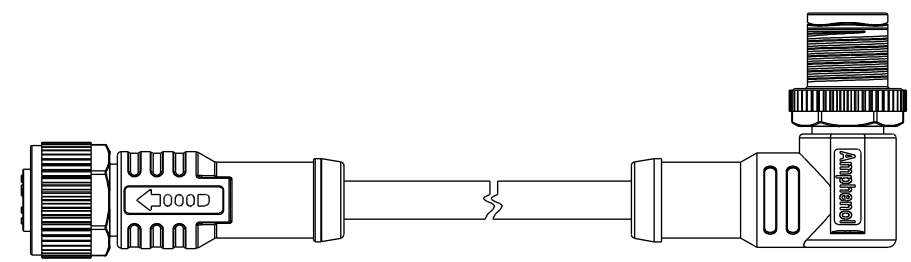
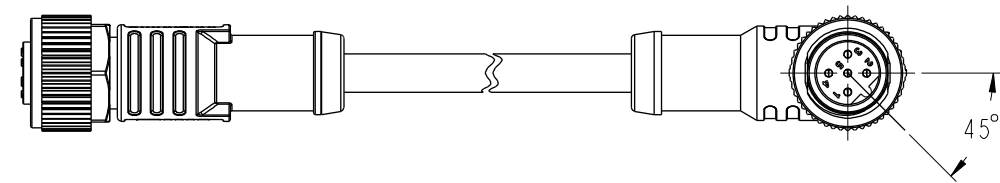
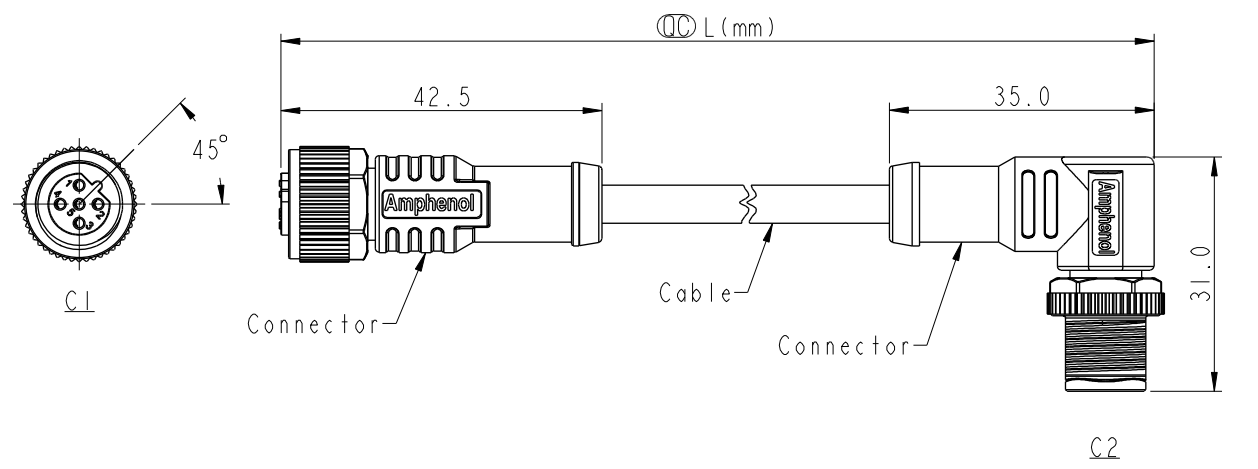


REV.	DESCRIPTION



Note:

- * \varnothing Important Dimension.
- * Waterproof Rate: IP68, IP69K.
- * Connector: PU+GF, Black.
- * Pin: Copper Alloy, Gold Plated.
- * Screw Nut: Zinc Alloy, Nickel Plated.
- * Outer Mold: PU, Black.
- * Cable: (B) UL20549, PUR Jacket, Black.
(D) UL2517, PVC Jacket, Black.
- * Rated Voltage: 5Pin 60V dc. or ac.
- * Rated Current: 5Pin 4A
- * Cable Length Tolerance: 0.5±20mm
01±40mm
02M~05M:±60mm
06M~10M:±100mm
11M~30M:±200mm
31M~99M:±500mm

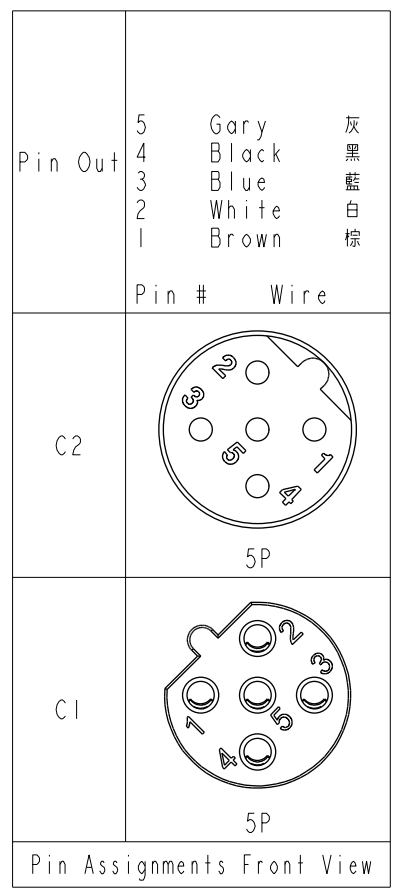
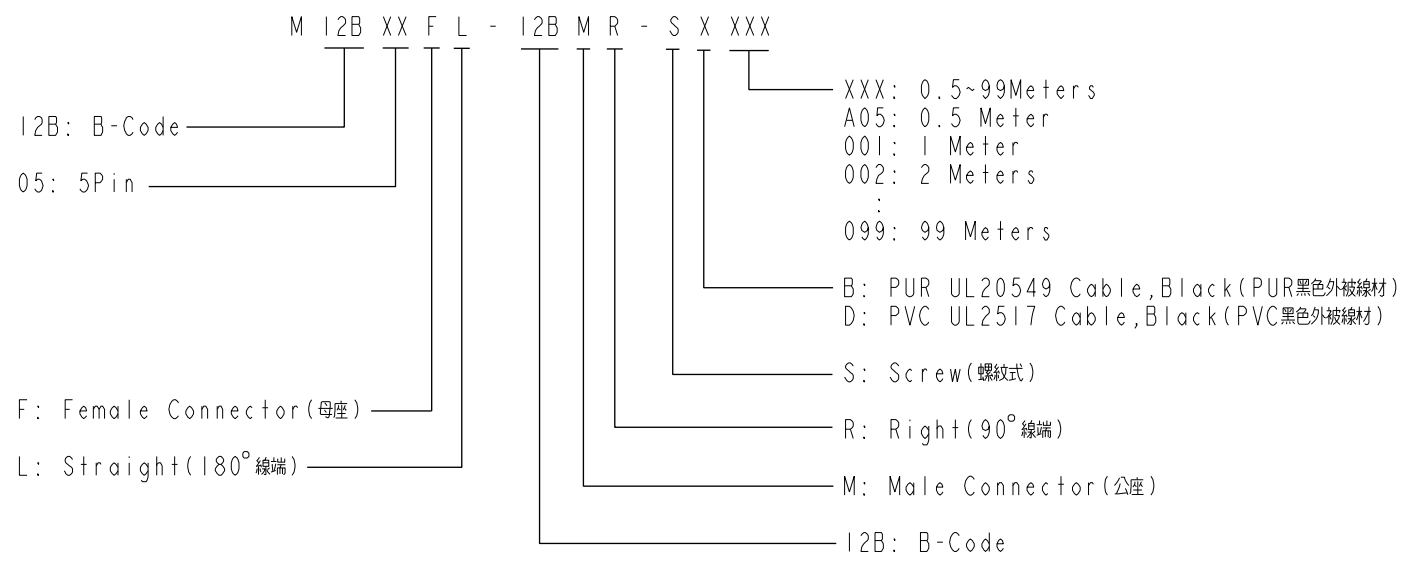
UNIT:mm		TITLE	MI2 B-Code Double Ended		
TOLERANCE	±0.5 mm	SCALE	1:2	SIZE	A4
		REV.	A	WC-REV.	
		SHEET	1	OF	2
		\varnothing : Inspection item			

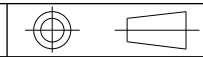
Amphenol LTW
安費諾亮泰企業股份有限公司

ITEM NO	DRAWN BY	DATE
DWG NO	CHECKED BY	DATE
CUSTOMER	APPROVED BY	DATE
ALTW	Vicky	2018-12-11
	Rita	2018-12-11
	Max	2018-12-11

THIS DOCUMENT IS SUBJECT TO CHANGE WITHOUT NOTICE. IT IS CONFIDENTIAL AND A PROPERTY OF Amphenol LTW. DISCLOSURE TO THIRD PARTY HAS TO BE AUTHORIZED BY Amphenol LTW.

5P	PVC	5.1	22	MI2B05FL-12BMR-SDXXX
5P	PUR	4.4		MI2B05FL-12BMR-SBXXX
Contacts	Cable Jacket	Cable OD	AWG	Item No.



UNIT:mm		TITLE MI2 B-Code Double Ended	
TOLERANCE	SCALE 1:2	SIZE A4	SHEET 2 OF 2
REV. A	WC-REV.	QC: Inspection item	

Amphenol LTW
 安費諾亮泰企業股份有限公司

ITEM NO	DRAWN BY	DATE
DWG NO MI2BXXFL-12BMR-SXXXX	Vicky	2018-12-11
CUSTOMER ALTW	CHECKED BY Rita	DATE 2018-12-11
	APPROVED BY Max	DATE 2018-12-11

X-ON Electronics

Largest Supplier of Electrical and Electronic Components

Click to view similar products for [Sensor Cables / Actuator Cables](#) category:

Click to view products by [Amphenol](#) manufacturer:

Other Similar products are found below :

[60963](#) [60964](#) [M83513/19-F01CP](#) [703000D02F2002](#) [703001D02F0602](#) [703001D02F300](#) [704000D02F120](#) [773032K02F030](#) [802027107404-1](#)
[802027213811-1](#) [804001A09M150](#) [805001A09M0502](#) [84914-0235](#) [84914-0237](#) [885030A09M020](#) [8R4J30E03C3003](#) [1200651332](#)
[1200651713](#) [1200660844](#) [1200660845](#) [1200661173](#) [1200680071](#) [1200720053](#) [1200720081](#) [1200720099](#) [1200720217](#) [1200800231](#)
[1200860125](#) [1200870123](#) [1200980102](#) [1200650267](#) [1200650298](#) [1200660183](#) [1200660782](#) [1200660849](#) [1200661295](#) [1200661297](#)
[1200661342](#) [1200661343](#) [1200670080](#) [1200670220](#) [1200680331](#) [1200720252](#) [1200730184](#) [1200860344](#) [1200870359](#) [1200870643](#)
[1200980008](#) [1200980031](#) [1210502211](#)