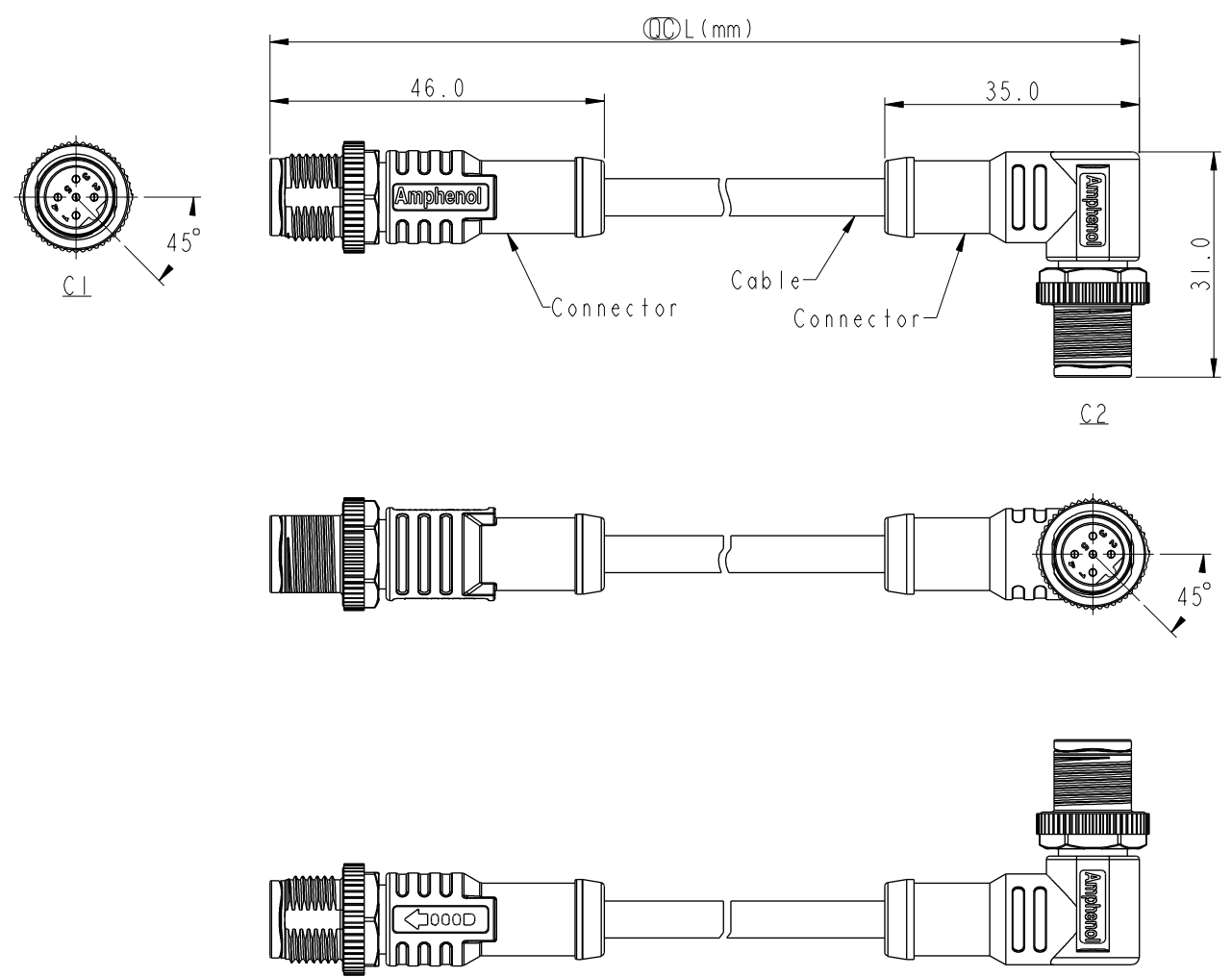


REV.	DESCRIPTION



- Notes:
- * \varnothing Important Dimension.
 - * Waterproof Rate: IP68, IP69K
 - * Connector: PU+GF, Black.
 - * Pin: Copper Alloy, Gold Plated.
 - * Screw Nut: Zinc Alloy, Nickel Plated.
 - * Outer Mold: PU, Black.
 - * Cable: (B) UL20549, PUR Jacket, Black.
(D) UL2517, PVC Jacket, Black.
 - * Rated Voltage: 5Pin 60V dc. or ac.
 - * Rated Current: 5Pin 4A
 - * Cable Length Tolerance: 0.5±20mm
01±40mm
02M~05M:±60mm
06M~10M:±100mm
11M~30M:±200mm
31M~99M:±500mm

UNIT:mm	
TOLERANCE	± 0.5 mm

TITLE MI2 B-Code Double Ended		
SCALE 1:2	SIZE A4	SHEET 1 OF 2
REV. A	WC-REV.	\varnothing : Inspection item

Amphenol LTW
安費諾亮泰企業股份有限公司

ITEM NO	DRAWN BY Ruru	DATE 2018-12-07
DWG NO MI2BXXML-12BMR-SXXXX	CHECKED BY Rita	DATE 2018-12-07
CUSTOMER ALTW	APPROVED BY Max	DATE 2018-12-07

THIS DOCUMENT IS SUBJECT TO CHANGE WITHOUT NOTICE. IT IS CONFIDENTIAL AND A PROPERTY OF Amphenol LTW. DISCLOSURE TO THIRD PARTY HAS TO BE AUTHORIZED BY Amphenol LTW.

THIS DOCUMENT IS SUBJECT TO CHANGE WITHOUT NOTICE. IT IS CONFIDENTIAL AND A PROPERTY OF Amphenol LTW. DISCLOSURE TO THIRD PARTY HAS TO BE AUTHORIZED BY Amphenol LTW.

5P	PVC	5.1	22	MI2B05ML-12BMR-SDXXX
5P	PUR	4.4		MI2B05ML-12BMR-SBXXX
Contacts	Cable Jacket	Cable OD	AWG	Item No.

M 12B XX M L - 12B M R - S X XXX

12B: B-Code

05: 5Pin

M: Male Connector(公座)

L: Straight(180°線端)

XXX: 0.5~99Meters
 A05: 0.5 Meter
 1: 01Meter
 2: 02Meters
 :
 99: 99Meters

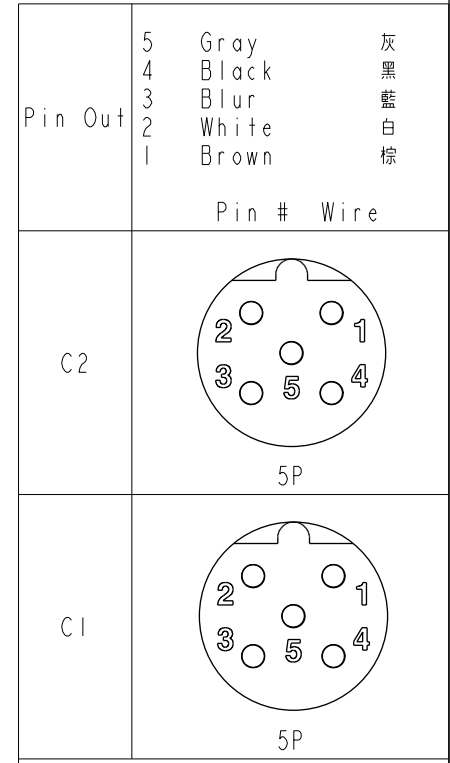
B: PUR UL20549 Cable, Black(PUR黑色外被線材)
 D: PVC UL2517 Cable, Black(PVC黑色外被線材)

S: Screw(螺紋式)

R: Right(90°線端)

M: Male Connector(公座)

12B: B-Code



Pin Assignments Front View

UNIT:mm	
TOLERANCE	± 0.5 mm

TITLE MI2 B-Code Double Ended			
SCALE 1:2	SIZE A4	SHEET 2 OF 2	
REV. A	WC-REV.	QC: Inspection item	

Amphenol LTW
 安費諾亮泰企業股份有限公司

ITEM NO	DRAWN BY	DATE
DWG NO MI2BXXML-12BMR-SXXXX	Ruru	2018-12-07
CUSTOMER ALTW	CHECKED BY Rita	DATE 2018-12-07
	APPROVED BY Max	DATE 2018-12-07

X-ON Electronics

Largest Supplier of Electrical and Electronic Components

Click to view similar products for [Sensor Cables / Actuator Cables](#) category:

Click to view products by [Amphenol](#) manufacturer:

Other Similar products are found below :

[1300070444](#) [43-10984](#) [M83513/19-F01CP](#) [704000D02F120](#) [MDM15SH001K](#) [MDM25PH003BF222](#) [802027107404-1](#) [885030A09M010](#)
[885030A09M020](#) [1200650174](#) [1200651332](#) [1200651713](#) [1200660171](#) [1200660208](#) [1200660343](#) [1200660804](#) [1200660845](#) [1200660926](#)
[1200660977](#) [1200661173](#) [1200661354](#) [120066-1712](#) [1200720053](#) [1200720099](#) [1200720153](#) [1200720172](#) [1200720217](#) [1200720226](#)
[1200720251](#) [1200720285](#) [1200720296](#) [1200720404](#) [1200720537](#) [1200730148](#) [1200730378](#) [1200800231](#) [1200860112](#) [1200860121](#)
[1200860125](#) [1200860337](#) [1200860365](#) [1200860420](#) [1200870046](#) [1200870123](#) [1200870248](#) [1200980102](#) [1200660181](#) [1200660183](#)
[1200660827](#) [1200660849](#)