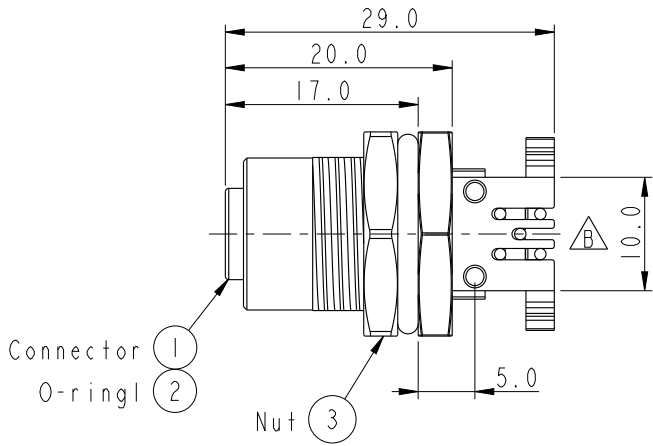
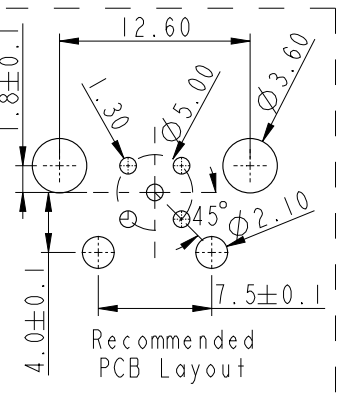
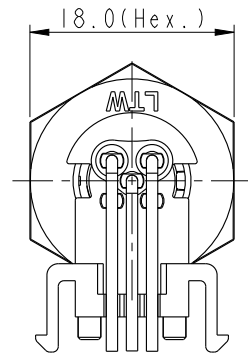
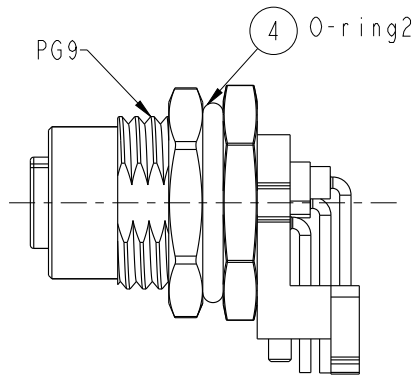
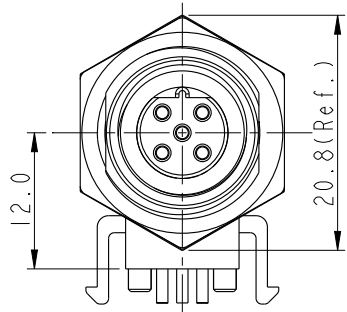
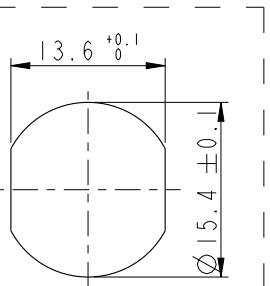
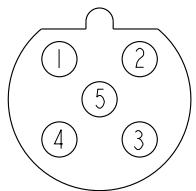


REV.	ECN NO.	DATE	SIGN	DESCRIPTION
B	CI91427	2019/08/14	Nan_Su	Change Views

ALTW
CONFIDENTIAL
2019-08-14
R&D DEPT.



- Note:
- * Ⓞ Important Dimension To Check.
 - * Waterproof Rate: IP68
IP68: IM Depth Of Water In 24hours
 - * Connector: Nylon+GF, Black
 - * Female Pin: Copper Alloy, Gold Plated
 - * Shell: Zinc Alloy, Nickel Plated.
 - * Nut: Zinc Alloy, Nickel Plated.
 - * O-ring1: Silicon, Gray
 - * O-ring2: Silicon, Black
 - * Boardlock: PBT+PC, Black
 - * For Panel Thickness Max. 4.5mm
 - * For PCB Thickness Max. 1.6mm



UNIT: mm		TITLE		ITEM NO.	DRAWN BY	DATE
		SENSOR, M12, 90° PANEL 5PIN FCONN FPIN		M12B-05PFFR-SF8001	Nan_Su	2019-08-14
TOLERANCE		SCALE	SIZE	SHEET	OF	DATE
.X ±0.25		3:2	A4	1	1	2019-08-14
.XX ±0.1		REV.	WC-REV.	QC	Inspection item	
.XXX ±0.05		B	A.1			
ANGLES ±1°						
<h2 style="text-align: center;">Amphenol LTW</h2> <p style="text-align: center;">安費諾亮泰企業股份有限公司</p>				CUSTOMER	APPROVED BY	DATE
				ALTW	Jerry	2019-08-14

THIS DOCUMENT IS SUBJECT TO CHANGE WITHOUT NOTICE. IT IS CONFIDENTIAL AND A PROPERTY OF AMPHENOL LTW. DISCLOSURE TO THIRD PARTY HAS TO BE AUTHORIZED BY AMPHENOL LTW.

X-ON Electronics

Largest Supplier of Electrical and Electronic Components

Click to view similar products for [Circular Metric Connectors](#) category:

Click to view products by [Amphenol](#) manufacturer:

Other Similar products are found below :

[600X518037X](#) [6STD15PCR99B70A](#) [8R4000A16M020](#) [8R5000A16M005](#) [1200910002](#) [1203580030](#) [1200910008](#) [1200910011](#) [1300140094](#)
[130203-0054](#) [1300140026](#) [1300150099](#) [1-3637-600-5205](#) [1612618](#) [21036836414](#) [8R4006A16M010](#) [1R3006A20M005](#) [41-40011](#) [42-00006](#)
[42-01015](#) [4-22279-4](#) [4-22281-1](#) [4-22284-9](#) [43-00113](#) [43-01203](#) [41-40013](#) [42-00008](#) [43-00343](#) [43-01026](#) [43-01162](#) [43-01173](#) [43-10000](#)
[XS3P-M421-2](#) [600X518050X](#) [8R5006A16M020](#) [8R5006A16M005](#) [8R4000A16M010](#) [6-22279-3](#) [1605332](#) [N03FA03144](#) [1300140077](#) [43-](#)
[16213](#) [43-01338](#) [XS2RD4265](#) [XS2R-D426-1](#) [XS8A-0441](#) [859RD04-103R004](#) [860RD04-113R004](#) [860RD04-213R004](#) [1-213245-2](#)