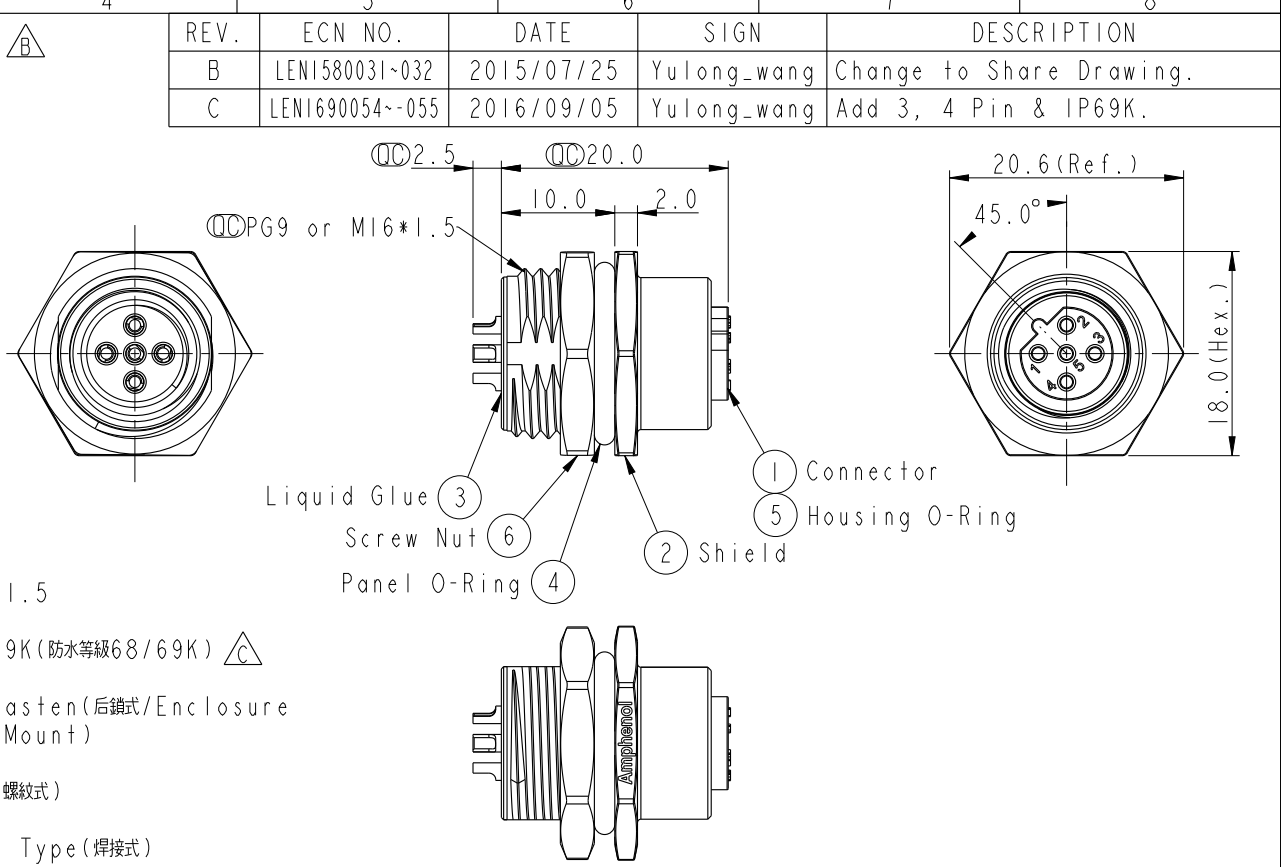
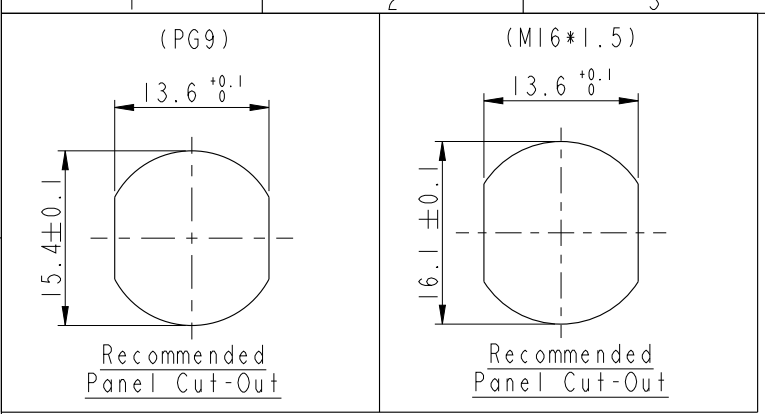


THIS DOCUMENT IS SUBJECT TO CHANGE WITHOUT NOTICE. IT IS CONFIDENTIAL AND A PROPERTY OF Amphenol LTW. DISCLOSURE TO THIRD PARTY HAS TO BE AUTHORIZED BY Amphenol LTW.

REV.	ECN NO.	DATE	SIGN	DESCRIPTION
B	LEN1580031~032	2015/07/25	Yulong_wang	Change to Share Drawing.
C	LEN1690054~055	2016/09/05	Yulong_wang	Add 3, 4 Pin & IP69K.

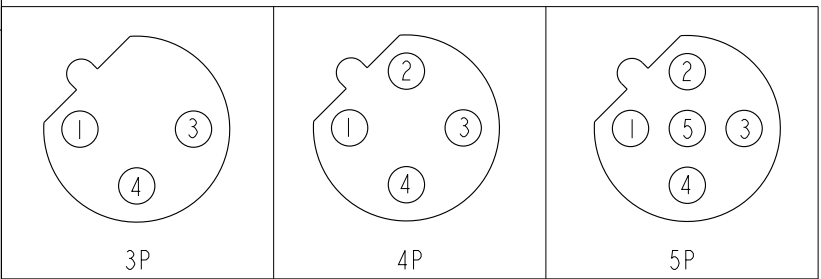


M 12B - XX P F F S - S H 8 XXX

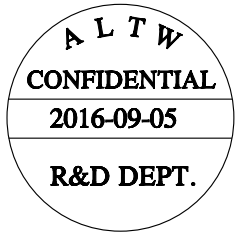
12B: B-Code
 03: 3Pin
 04: 4Pin
 05: 5Pin $\triangle C$

P: Panel (板端)
 F: Female Connector (母座)
 F: Female Pin (母Pin)

001: PG9
 002: M16*1.5
 8: IP68/69K (防水等級68/69K) $\triangle C$
 H: Rear Fasten (后鎖式/Enclosure Front Mount)
 S: Screw (螺紋式)
 S: Solder Type (焊接式)



Pin Assignment Front View



Note:

- * ⌀ Important Dimension.
- $\triangle C$ * Waterproof Rate: IP68, IP69K.
- * Housing: Nylon+GF, Black.
- * Female Pin: Copper Alloy, Gold Plated.
- * Shield: Zinc Alloy, Nickel Plated.
- * Screw Nut: Zinc Alloy, Nickel Plated.
- * Panel O-Ring: Viton, Black.
- * Housing O-Ring: Viton, Green.
- $\triangle C$ * Rated Voltage: 3 & 4Pin 250V dc. or ac. 5Pin 60V dc. or ac.
- * Rated Current: 4A
- * Operating Temperature: -40~+105°C
- * For Panel Thickness Max 4.5mm.
- * Recommended Nut Torque: 4-6 Kgf.cm.

UNIT: mm		TITLE	M12 B-Code Female Conn. Solder Rear Type		
TOLERANCE		SCALE	SIZE	SHEET	OF
.X ±0.25		2:1	A4	1	1
.XX ±0.1		REV.	WC-REV.	⌀ : Inspection item	
.XXX ±0.05		C	A.5		
ANGLES ±1°					

Amphenol LTW
 安費諾亮泰企業股份有限公司

ITEM NO.	DRAWN BY	DATE
	Yulong_wang	2016-09-05
DWG NO.	CHECKED BY	DATE
M12B-XXPFFS-SH8XXX	Jinhai	2016-09-05
CUSTOMER	APPROVED BY	DATE
ALTW	Jerry	2016-09-05

X-ON Electronics

Largest Supplier of Electrical and Electronic Components

Click to view similar products for [Sensor Cables / Actuator Cables](#) category:

Click to view products by [Amphenol](#) manufacturer:

Other Similar products are found below :

[60963](#) [60964](#) [M83513/19-F01CP](#) [703000D02F2002](#) [703001D02F0602](#) [703001D02F300](#) [704000D02F120](#) [773032K02F030](#) [802027107404-1](#)
[802027213811-1](#) [804001A09M150](#) [805001A09M0502](#) [84914-0235](#) [84914-0237](#) [885030A09M020](#) [8R4J30E03C3003](#) [1200651332](#)
[1200651713](#) [1200660844](#) [1200660845](#) [1200661173](#) [1200680071](#) [1200720053](#) [1200720081](#) [1200720099](#) [1200720217](#) [1200800231](#)
[1200860125](#) [1200870123](#) [1200980102](#) [1200650267](#) [1200650298](#) [1200660183](#) [1200660782](#) [1200660849](#) [1200661295](#) [1200661297](#)
[1200661342](#) [1200661343](#) [1200670080](#) [1200670220](#) [1200680331](#) [1200720252](#) [1200730184](#) [1200860344](#) [1200870359](#) [1200870643](#)
[1200980008](#) [1200980031](#) [1210502211](#)