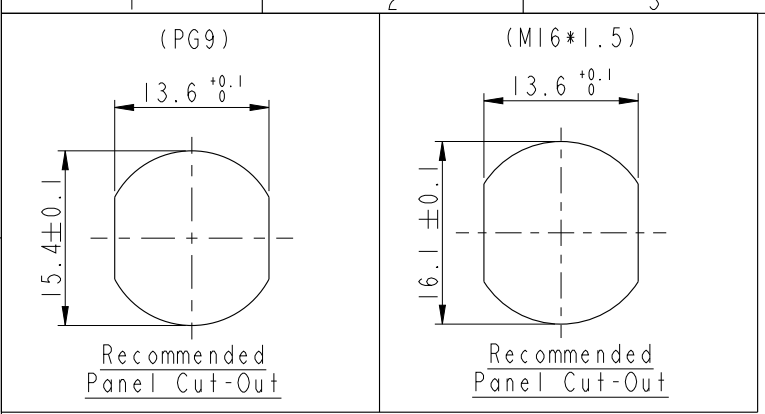
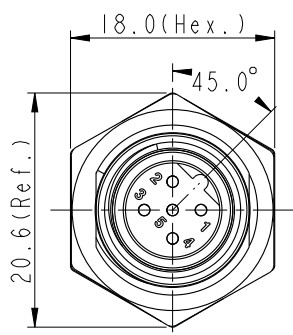
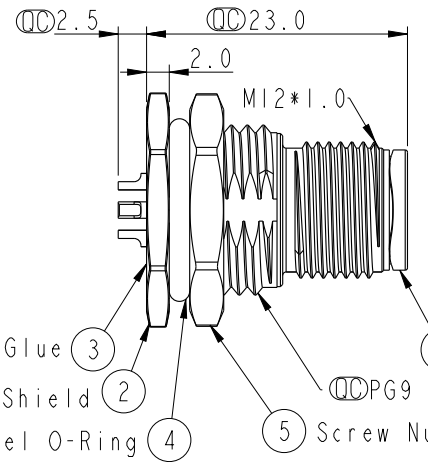
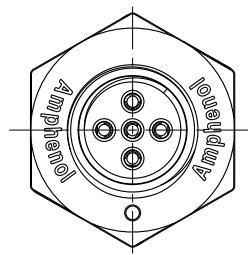


THIS DOCUMENT IS SUBJECT TO CHANGE WITHOUT NOTICE. IT IS CONFIDENTIAL AND A PROPERTY OF Amphenol LTW. DISCLOSURE TO THIRD PARTY HAS TO BE AUTHORIZED BY Amphenol LTW.

REV.	ECN NO.	DATE	SIGN	DESCRIPTION
B	LEN1580033-034	2015/07/26	Yulong_wang	Change to Share Drawing.
C	LEN1690056-057	2016/09/05	Yulong_wang	Add 3, 4 Pin & IP69K.



△

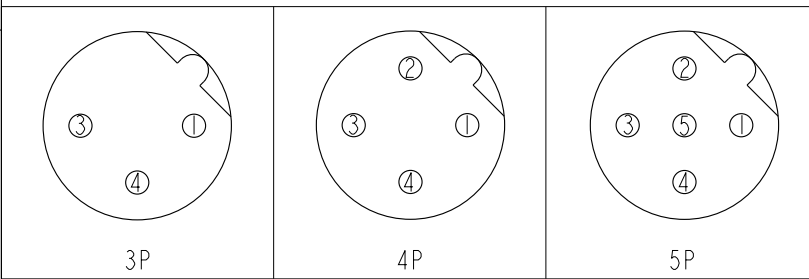


M 12B - XX P M M S - S F 8 XXX

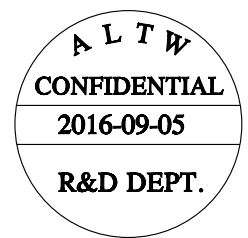
12B: B-Code  
 03: 3Pin  
 04: 4Pin △  
 05: 5Pin

P: Panel (板端)  
 M: Male Connector (公座)  
 M: Male Pin (公Pin)

001: PG9  
 002: M16\*1.5  
 8: IP68/69K (防水等級68/69K) △  
 F: Front Fasten (前鎖式/Enclosure Rear Mount)  
 S: Screw (螺紋式)  
 S: Solder Type (焊接式)



△



Note:

- \* ∅ Important Dimension.
- △ \* Waterproof Rate: IP68, IP69K.
- \* Housing: Nylon+GF, Black.
- \* Male Pin: Copper Alloy, Gold Plated.
- \* Shield: Zinc Alloy, Nickel Plated.
- \* Screw Nut: Zinc Alloy, Nickel Plated.
- \* Panel O-Ring: Viton, Black.
- △ \* Rated Voltage: 3 & 4Pin 250V dc. or ac. 5Pin 60V dc. or ac.
- \* Rated Current: 4A
- \* Operating Temperature: -40~+105°C
- \* For Panel Thickness Max 4.5mm.
- \* Recommended Nut Torque: 4-6 Kgf.cm.

Pin Assignment Front View

UNIT: mm		TITLE		ITEM NO	DRAWN BY	DATE
		M12 B-Code Male Conn. Solder Front Type		DWG NO	Yulong_wang	2016-09-05
		SCALE	SIZE	SHEET	CHECKED BY	DATE
TOLERANCE	∅	2:1	A4	1	Jinhai	2016-09-05
.X ±0.25		REV.	WC-REV.	∅	APPROVED BY	DATE
.XX ±0.1		C	A.5	ALTW	Jerry	2016-09-05
.XXX ±0.05		∅: Inspection item		CUSTOMER	DATE	
ANGLES ±1°			ALTW			

**Amphenol LTW**  
 安費諾亮泰企業股份有限公司

## X-ON Electronics

Largest Supplier of Electrical and Electronic Components

*Click to view similar products for [Circular Metric Connectors](#) category:*

*Click to view products by [Amphenol](#) manufacturer:*

Other Similar products are found below :

[600X518037X](#) [6STD09SAM99B70X](#) [8R5000A16M005](#) [1300150099](#) [1-3637-600-5205](#) [1545399](#) [1A4000-348](#) [8R5006A18A120](#)  
[1R3006A20M005](#) [1R3006A20M030](#) [RF-12P1N8A90DU](#) [41-01016](#) [41-40010](#) [41-40011](#) [41-40017](#) [4-22279-4](#) [4-22281-1](#) [4-22284-9](#) [41-](#)  
[40005](#) [41-40016](#) [XS3P-M421-2](#) [600X518050X](#) [SACC-DSI-FS-5P-PG9-L180 SC](#) [8R5006A16M005](#) [1R3004A20A1201](#) [1605332](#)  
[N03FA03144](#) [1406328](#) [41-01117](#) [XS2RD4265](#) [080804EMF00000](#) [RSC 4/9](#) [XS2R-D426-1](#) [XS8A-0441](#) [1-213245-2](#) [2273142-2](#) [LC20-](#)  
[02PMFS-SW8001](#) [21031121405](#) [41-50000](#) [MSAS-12BFFA-SR7001](#) [41-50002](#) [LC20-02PMFS-SN8001](#) [ASB 8-S3064/5 M](#) [CSG-16M001](#)  
[8P-03PMMP-SF7001](#) [SC-L-PGT2-02-YW](#) [CSG-CSP004](#) [8P-04PMMP-SF7001](#) [VENT-PQ1NBK-N8001](#) [43-02534](#)