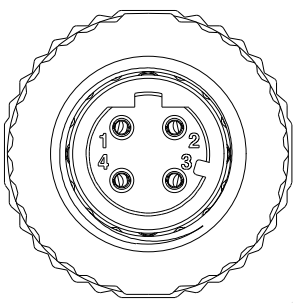
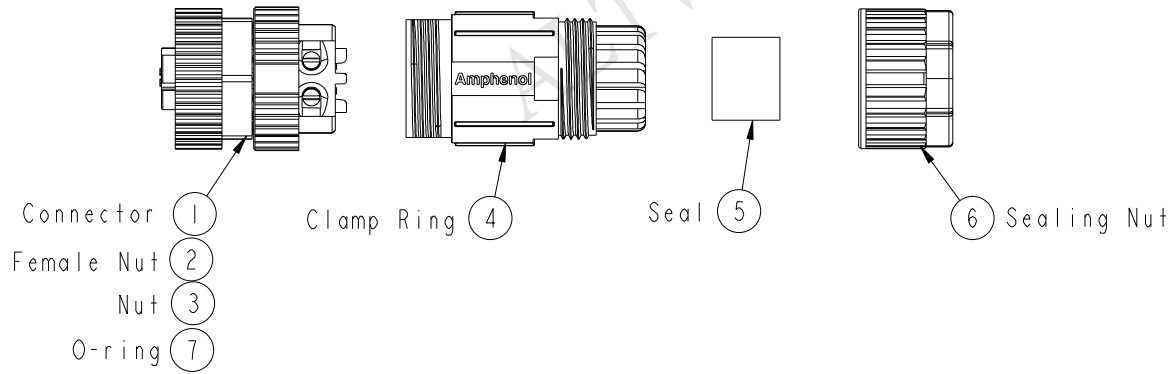
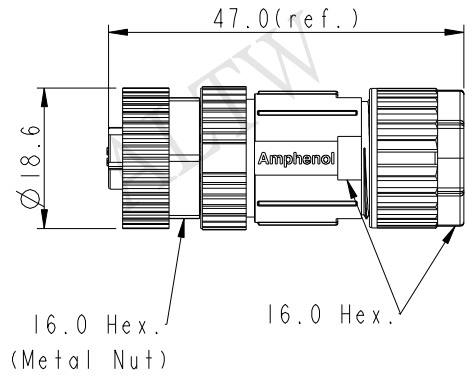


REV.	ECN NO.	DATE	SIGN	DESCRIPTION
A	Initial Release	2015/10/09	Mila	Change Rev.01 To Rev.A

ALTW
CONFIDENTIAL
2015-10-09
R&D DEPT.



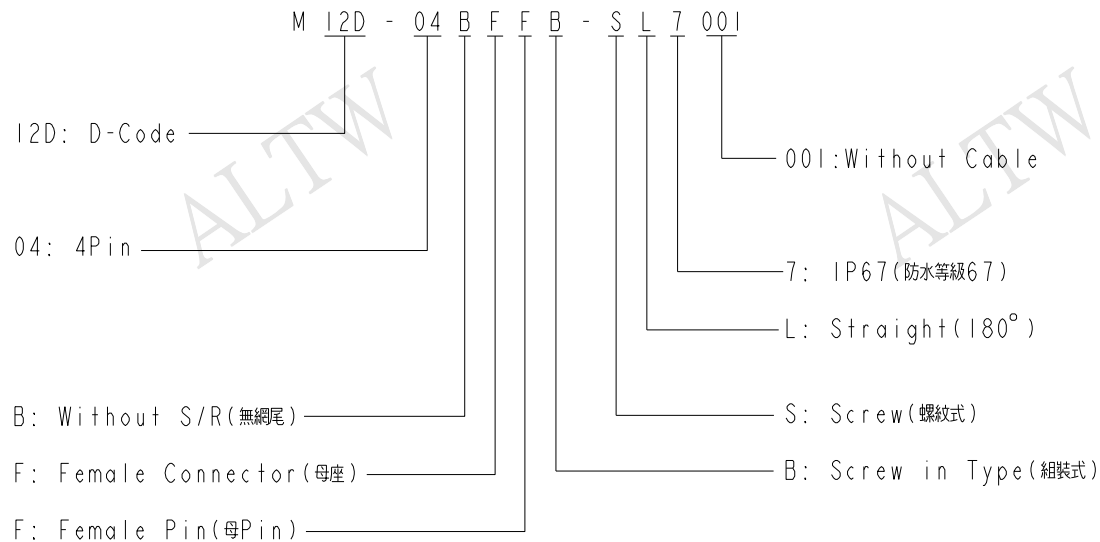
Pin Assignments
 Front View



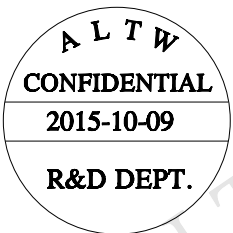
UNIT:mm TOLERANCE ±0.5mm	TITLE M12 D-Code Unshielded Assy 4PIN F Conn. F Pin		Amphenol LTW 安費諾亮泰企業股份有限公司		ITEM NO M12D-04BFFB-SL7001	DRAWN BY Mila	DATE 2015-10-09
	SCALE 1:1	SIZE A4			SHEET 1 OF 2	DWG NO M12D-04BFFB-SL7001	CHECKED BY Cary
	REV. A	WC-REV. A.2	QC: Inspection item	CUSTOMER ALTW	APPROVED BY Jerry	DATE 2015-10-09	8 FNN10702-01-02A1

THIS DOCUMENT IS SUBJECT TO CHANGE WITHOUT NOTICE. IT IS CONFIDENTIAL AND A PROPERTY OF Amphenol LTW. DISCLOSURE TO THIRD PARTY HAS TO BE AUTHORIZED BY Amphenol LTW.

THIS DOCUMENT IS SUBJECT TO CHANGE WITHOUT NOTICE. IT IS CONFIDENTIAL AND A PROPERTY OF Amphenol LTW. DISCLOSURE TO THIRD PARTY HAS TO BE AUTHORIZED BY Amphenol LTW.



- Note:
- * $\text{\textcircled{C}}$ Important Dimension To Check.
 - * Waterproof Rate: IP67
 - * Housing: Nylon, Black
 - * Female Pin: Copper Alloy, Gold Plated
 - * Female Nut: Zinc Alloy, Nickel Plated
 - * Nut: PBT+PC, Black
 - * O-Ring: Silicon, Grey
 - * Clamp Ring: Nylon, Black
 - * Sealing Nut: PBT+PC, Black
 - * Seal: Silicon, Grey
 - * Seal For Cable OD: $\varnothing 4.0\text{mm} \sim \varnothing 8.0\text{mm}$
 - * Screws for Wire connection recommended
tightening torque: 0.61~0.84 kgf.cm / 0.059~0.082 N.m
 - * Applicable Wire gauge (Stranded wire cross section)
0.14mm² (26AWG) ~ 0.82mm² (18AWG)
 - * Mating Recommended tightening torque:
3~4 kgf.cm / 0.29~0.39 N.m
 - * Sealing-Nut Recommended tightening torque:
4~6 kgf.cm / 0.39~0.59 N.m
 - * Detailed applicable wire specifications may vary
depending on the actual wire construction.



UNIT: mm		
TOLERANCE		
±0.5mm		

TITLE M12 D-Code Unshielded Assy 4PIN F Conn. F Pin			
SCALE 1:1	SIZE A4	SHEET 2 OF 2	
REV. A	WC-REV. A.2	$\text{\textcircled{C}}$: Inspection item	

Amphenol LTW
安費諾亮泰企業股份有限公司

ITEM NO M12D-04BFFB-SL7001	DRAWN BY Mila	DATE 2015-10-09
DWG NO M12D-04BFFB-SL7001	CHECKED BY Cary	DATE 2015-10-09
CUSTOMER ALTW	APPROVED BY Jerry	DATE 2015-10-09

X-ON Electronics

Largest Supplier of Electrical and Electronic Components

Click to view similar products for [Sensor Cables / Actuator Cables](#) category:

Click to view products by [Amphenol](#) manufacturer:

Other Similar products are found below :

[60963](#) [60964](#) [703000D02F2002](#) [703001D02F0602](#) [703001D02F300](#) [704000D02F120](#) [773032K02F030](#) [802027107404-1](#) [802027213811-1](#)
[804001A09M150](#) [805001A09M0502](#) [84914-0235](#) [84914-0237](#) [885030A09M020](#) [8R4J30E03C3003](#) [1200651332](#) [1200651713](#) [1200660844](#)
[1200660845](#) [1200661173](#) [1200680071](#) [1200720053](#) [1200720081](#) [1200720099](#) [1200720217](#) [1200800231](#) [1200860125](#) [1200870123](#)
[1200980102](#) [1200650267](#) [1200650298](#) [1200660183](#) [1200660782](#) [1200660849](#) [1200661295](#) [1200661297](#) [1200661342](#) [1200661343](#)
[1200670080](#) [1200670220](#) [1200680331](#) [1200720252](#) [1200730184](#) [1200860344](#) [1200870359](#) [1200870643](#) [1200980008](#) [1200980031](#)
[1210502211](#) [1210400542](#)