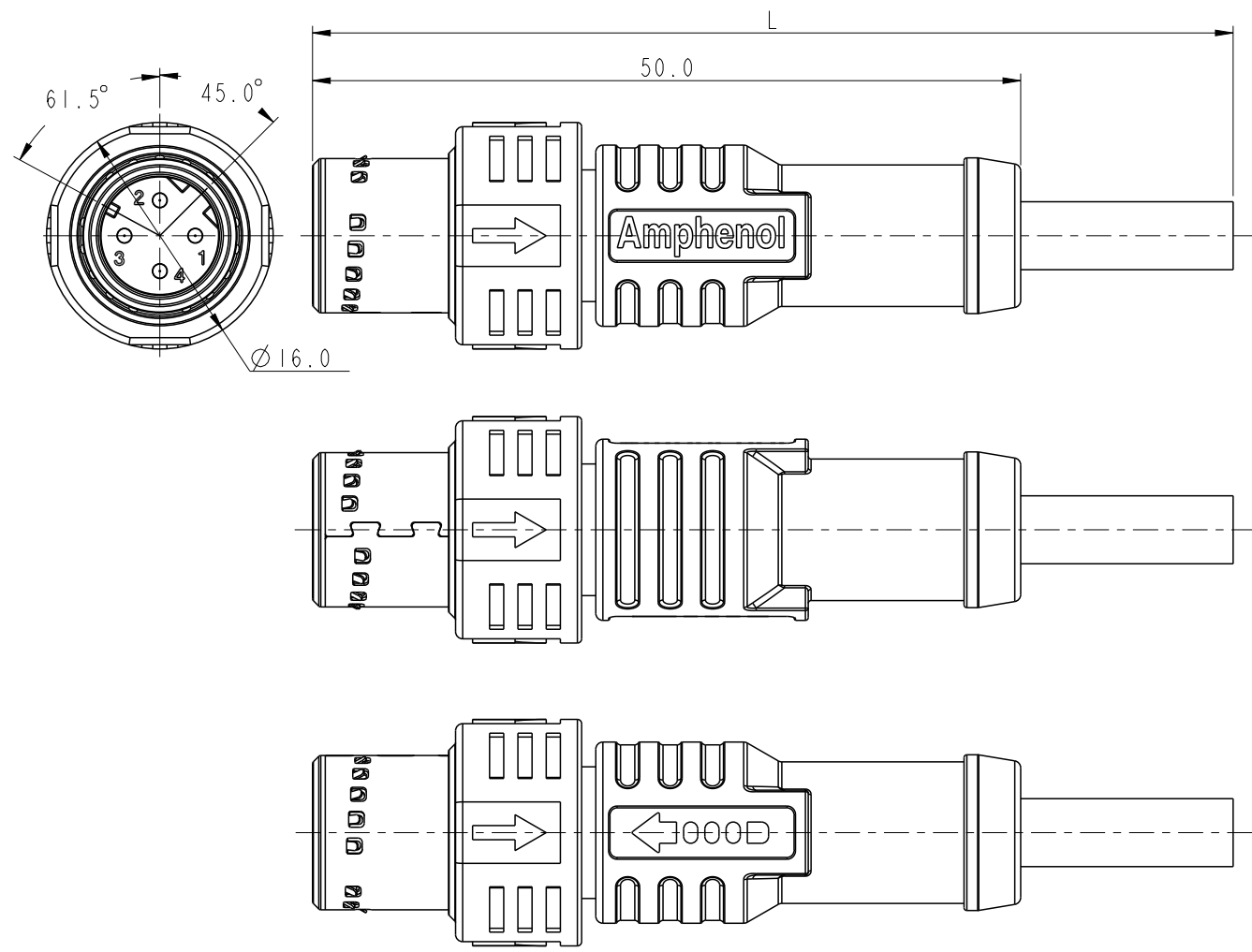


THIS DOCUMENT IS SUBJECT TO CHANGE WITHOUT NOTICE. IT IS CONFIDENTIAL AND A PROPERTY OF Amphenol LTW. DISCLOSURE TO THIRD PARTY HAS TO BE AUTHORIZED BY Amphenol LTW.

REV.	ECN NO.	DATE	SIGN	DESCRIPTION
A		2020-08-26	Sam Ho	New Release



Notes:
 Material Specification:
 * Housing: Thermoplastic, UL94V-0, Black.
 * Male Pin: Copper Alloy, Gold Plated.
 * Shell & Latch & Spring: Metal.
 * Outer Mold: Thermoplastic, Black.

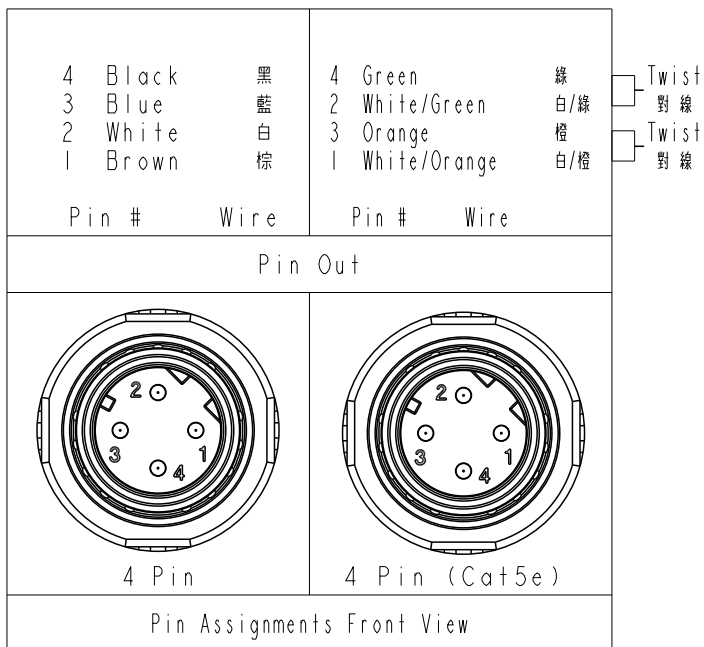
Electrical Specification:
 * Contact Resistance: 10mΩ (Max.)
 * Insulation Resistance: 100MΩ (Min.)
 * Voltage Proof: 2.5KV
 * Rated Voltage: 250V D.C. or A.C.
 * Rated Current: 4.0A

Mechanical Specification:
 * Durability: 500 Cycles.

Environmental Specification:
 * Waterproof Rate: IP68.
 * Temperature Range:
 -20~+80°C For PVC Cable
 -20~+85°C For PU Cable

UNIT: mm TOLERANCE ±0.50mm	TITLE M12 D Code Push Pull Type Cable		Amphenol LTW 安費諾亮泰企業股份有限公司		ITEM NO. M12D-04BMMM-PL8XXX	DRAWN BY Sam Ho	DATE 2020-08-26
	SCALE 2:1	SIZE A4			SHEET 1 OF 2	DWG NO. M12D-04BMMM-PL8XXX	CHECKED BY Fred Lee
	REV. A	WC-REV.	☉: Inspection item	CUSTOMER ALTW	APPROVED BY Fred Lee	DATE 2020-08-26	8 W10814-03-01A2

THIS DOCUMENT IS SUBJECT TO CHANGE WITHOUT NOTICE. IT IS CONFIDENTIAL AND A PROPERTY OF AMPHENOL LTW. DISCLOSURE TO THIRD PARTY HAS TO BE AUTHORIZED BY AMPHENOL LTW.



4 Pin	PU	6.2	22	MI2D-04BMMM-PL8EXX
	PVC	4.8		MI2D-04BMMM-PL8DXX
	PUR	4.0		MI2D-04BMMM-PL8BXX
	PVC	4.8		MI2D-04BMMM-PL8AXX
Contacts	Cable Jacket	Cable OD	AWG	Item No.

MI2D-04BMMM-PL8 X XX

XX: L=0~99Meters
 01: L=1Meters
 02: L=2Meters
 :
 99: L=99Meters

A: PCV UL2517 Cable, Yellow.
 B: PUR UL20549 Cable, Black.
 D: PCV UL2517 Cable, Black.
 E: PU Cat5e Cable, Black.

UNIT: mm		TITLE MI2 D Code Push Pull Type Cable	<h1 style="margin: 0;">Amphenol LTW</h1> <p style="margin: 0;">安費諾亮泰企業股份有限公司</p>	ITEM NO MI2D-04BMMM-PL8XXX	DRAWN BY Sam Ho	DATE 2020-08-26	
TOLERANCE ±0.50mm		SCALE 2:1	SIZE A4	SHEET 2 OF 2	DWG NO MI2D-04BMMM-PL8XXX	CHECKED BY Fred Lee	DATE 2020-08-26
		REV. A	WC-REV.	☉: Inspection item	CUSTOMER ALTW	APPROVED BY Fred Lee	DATE 2020-08-26

X-ON Electronics

Largest Supplier of Electrical and Electronic Components

Click to view similar products for [Sensor Cables / Actuator Cables](#) category:

Click to view products by [Amphenol](#) manufacturer:

Other Similar products are found below :

[60963](#) [60964](#) [M83513/19-F01CP](#) [703000D02F2002](#) [703001D02F0602](#) [703001D02F300](#) [704000D02F120](#) [773032K02F030](#) [802027107404-1](#)
[802027213811-1](#) [804001A09M150](#) [805001A09M0502](#) [84914-0235](#) [84914-0237](#) [885030A09M020](#) [8R4J30E03C3003](#) [1200651332](#)
[1200651713](#) [1200660844](#) [1200660845](#) [1200661173](#) [1200680071](#) [1200720053](#) [1200720081](#) [1200720099](#) [1200720217](#) [1200800231](#)
[1200860125](#) [1200870123](#) [1200980102](#) [1200650267](#) [1200650298](#) [1200660183](#) [1200660782](#) [1200660849](#) [1200661295](#) [1200661297](#)
[1200661342](#) [1200661343](#) [1200670080](#) [1200670220](#) [1200680331](#) [1200720252](#) [1200730184](#) [1200860344](#) [1200870359](#) [1200870643](#)
[1200980008](#) [1200980031](#) [1210502211](#)