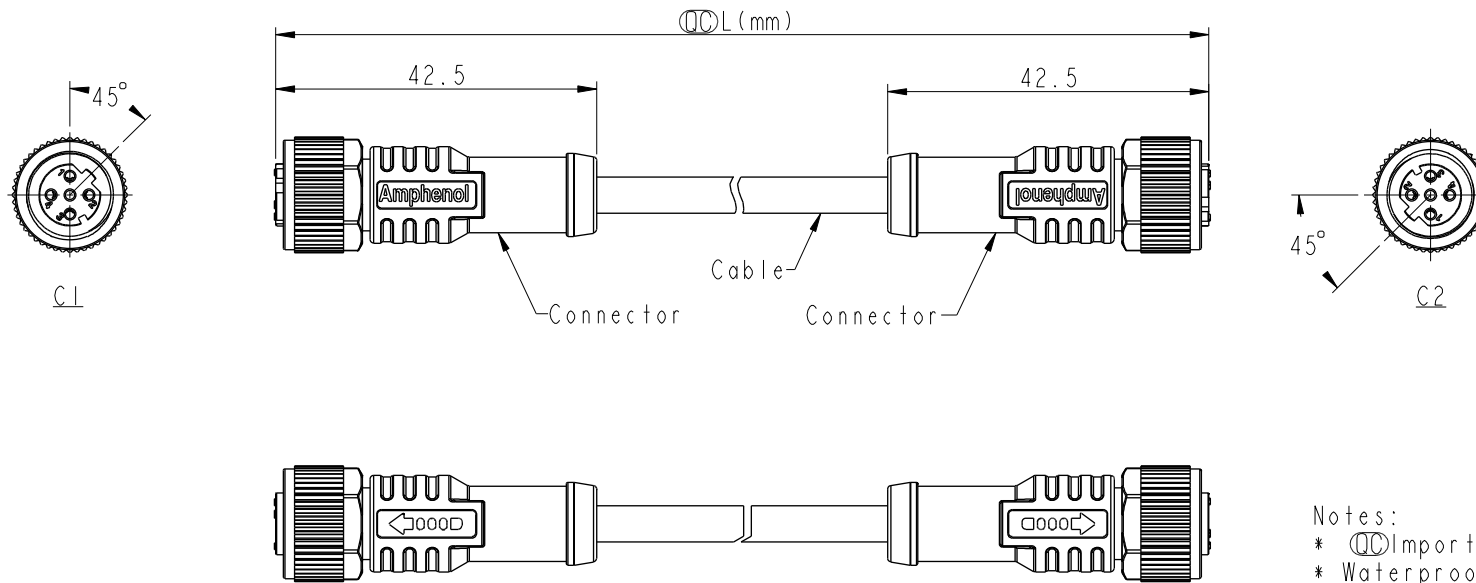


REV.	DESCRIPTION



- Notes:
- \*  $\varnothing$  Important Dimension.
  - \* Waterproof Rate: IP68, IP69K
  - \* Connector: PU+GF, Black.
  - \* Pin: Copper Alloy, Gold Plated.
  - \* Screw Nut: Zinc Alloy, Nickel Plated.
  - \* Outer Mold: PU, Black.
  - \* Cable: (B) UL20549, PUR Jacket, Black.  
(D) UL2517, PVC Jacket, Black.
  - \* Rated Voltage: 4Pin 250V dc. or ac.
  - \* Rated Current: 4Pin 4A
  - \* Cable Length Tolerance: 0.5±20mm  
01±40mm  
02M~05M:±60mm  
06M~10M:±100mm  
11M~30M:±200mm  
31M~99M:±500mm

UNIT:mm	
TOLERANCE	± 0.5 mm

TITLE MI2 D-Code Double Ended		
SCALE 1:2	SIZE A4	SHEET 1 OF 2
REV. A	WC-REV. A.5	$\varnothing$ : Inspection item

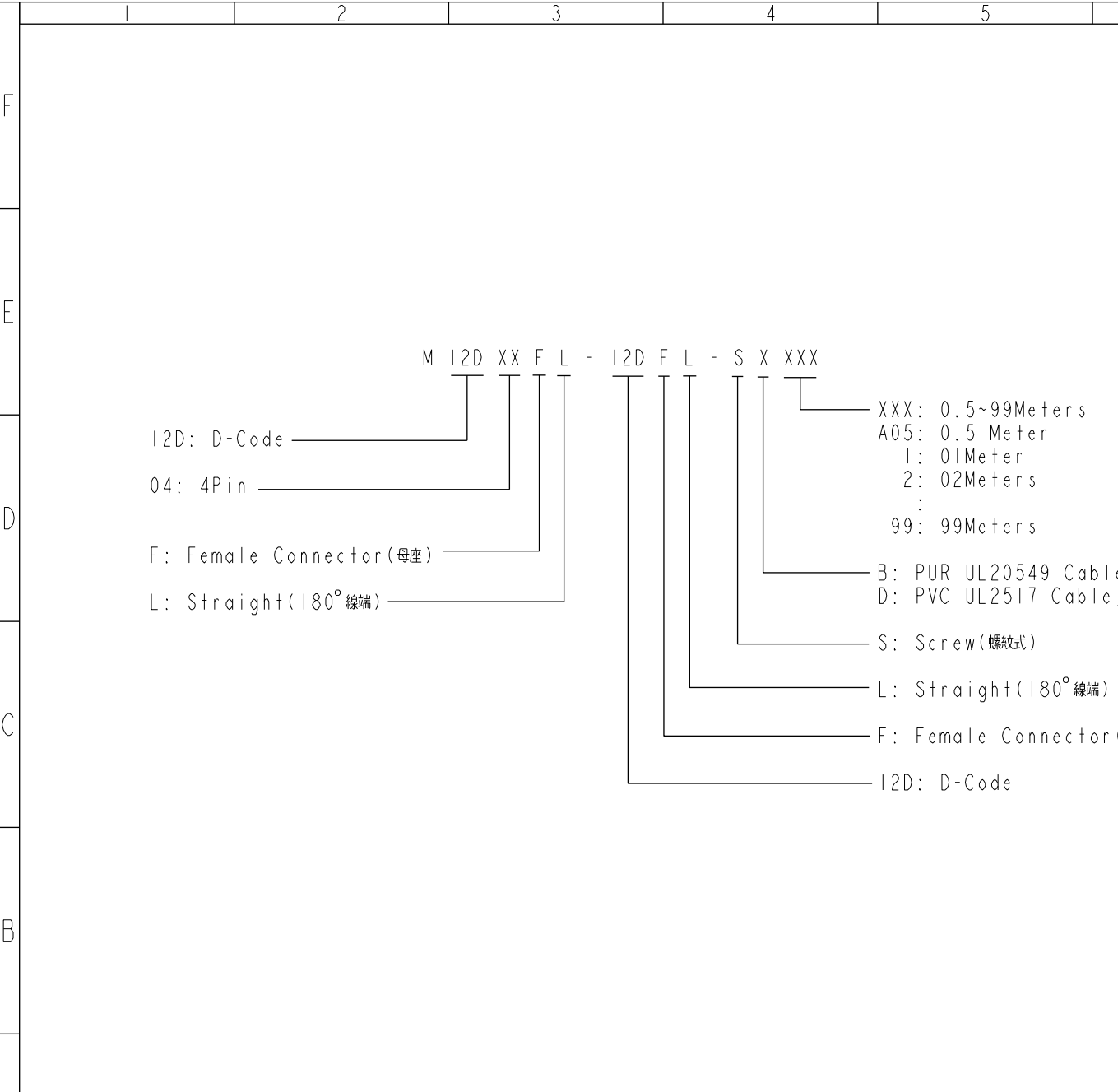
**Amphenol LTW**  
安費諾亮泰企業股份有限公司

ITEM NO	DRAWN BY Ruru	DATE 2018-12-11
DWG NO MI2DXXFL-12DFL-SXXXX	CHECKED BY Rita	DATE 2018-12-11
CUSTOMER ALTW	APPROVED BY Max	DATE 2018-12-11

THIS DOCUMENT IS SUBJECT TO CHANGE WITHOUT NOTICE. IT IS CONFIDENTIAL AND A PROPERTY OF Amphenol LTW. DISCLOSURE TO THIRD PARTY HAS TO BE AUTHORIZED BY Amphenol LTW.

THIS DOCUMENT IS SUBJECT TO CHANGE WITHOUT NOTICE. IT IS CONFIDENTIAL AND A PROPERTY OF Amphenol LTW. DISCLOSURE TO THIRD PARTY HAS TO BE AUTHORIZED BY Amphenol LTW.

4P	PVC	4.8	22	MI2D04FL-12DFL-SDXXX
4P	PUR	4.0		MI2D04FL-12DFL-SBXXX
Contacts	Cable Jacket	Cable OD	AWG	Item No.



Pin Out	5	--	
	4	Black	黑
	3	Blue	藍
	2	White	白
	1	Brown	棕
			Pin # Wire
C1 & C2			
	4P		
Pin Assignments Front View			

UNIT:mm TOLERANCE ± 0.5 mm			TITLE MI2 D-Code Double Ended		<h1 style="text-align: center;">Amphenol LTW</h1> <h2 style="text-align: center;">安費諾亮泰企業股份有限公司</h2>		ITEM NO	DRAWN BY	DATE
	SCALE 1:2	SIZE A4	SHEET 2 OF 2				DWG NO MI2DXXXFL-12DFL-SXXXX	CHECKED BY Rita	DATE 2018-12-11
	REV. A	WC-REV. A.5	QC: Inspection item				CUSTOMER ALTW	APPROVED BY Max	DATE 2018-12-11
								8 W10814-03-0001A2	

## X-ON Electronics

Largest Supplier of Electrical and Electronic Components

*Click to view similar products for [Sensor Cables / Actuator Cables](#) category:*

*Click to view products by [Amphenol](#) manufacturer:*

Other Similar products are found below :

[60963](#) [60964](#) [M83513/19-F01CP](#) [703000D02F2002](#) [703001D02F0602](#) [703001D02F300](#) [704000D02F120](#) [773032K02F030](#) [802027107404-1](#)  
[802027213811-1](#) [804001A09M150](#) [805001A09M0502](#) [84914-0235](#) [84914-0237](#) [885030A09M020](#) [8R4J30E03C3003](#) [1200651332](#)  
[1200651713](#) [1200660844](#) [1200660845](#) [1200661173](#) [1200680071](#) [1200720053](#) [1200720081](#) [1200720099](#) [1200720217](#) [1200800231](#)  
[1200860125](#) [1200870123](#) [1200980102](#) [1200650267](#) [1200650298](#) [1200660183](#) [1200660782](#) [1200660849](#) [1200661295](#) [1200661297](#)  
[1200661342](#) [1200661343](#) [1200670080](#) [1200670220](#) [1200680331](#) [1200720252](#) [1200730184](#) [1200860344](#) [1200870359](#) [1200870643](#)  
[1200980008](#) [1200980031](#) [1210502211](#)