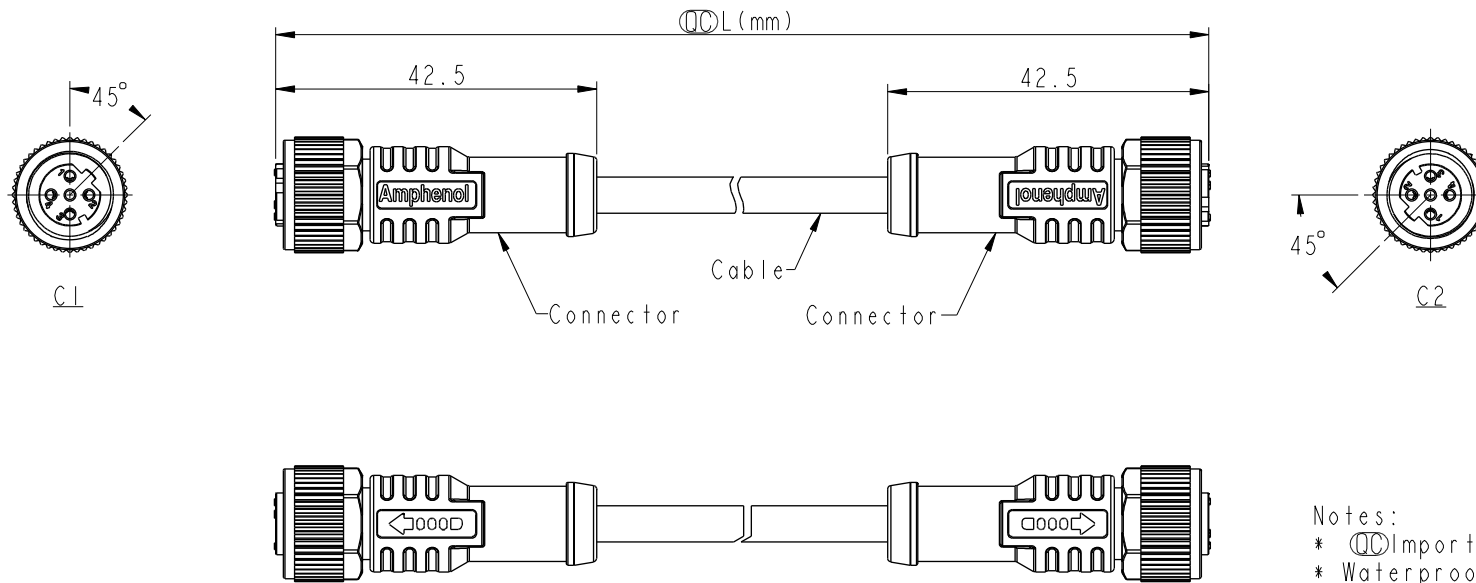


REV.	DESCRIPTION



- Notes:
- * \varnothing Important Dimension.
 - * Waterproof Rate: IP68, IP69K
 - * Connector: PU+GF, Black.
 - * Pin: Copper Alloy, Gold Plated.
 - * Screw Nut: Zinc Alloy, Nickel Plated.
 - * Outer Mold: PU, Black.
 - * Cable: (B) UL20549, PUR Jacket, Black.
(D) UL2517, PVC Jacket, Black.
 - * Rated Voltage: 4Pin 250V dc. or ac.
 - * Rated Current: 4Pin 4A
 - * Cable Length Tolerance: 0.5±20mm
01±40mm
02M~05M:±60mm
06M~10M:±100mm
11M~30M:±200mm
31M~99M:±500mm

UNIT:mm	
TOLERANCE	± 0.5 mm

TITLE MI2 D-Code Double Ended		
SCALE 1:2	SIZE A4	SHEET 1 OF 2
REV. A	WC-REV. A.5	\varnothing : Inspection item

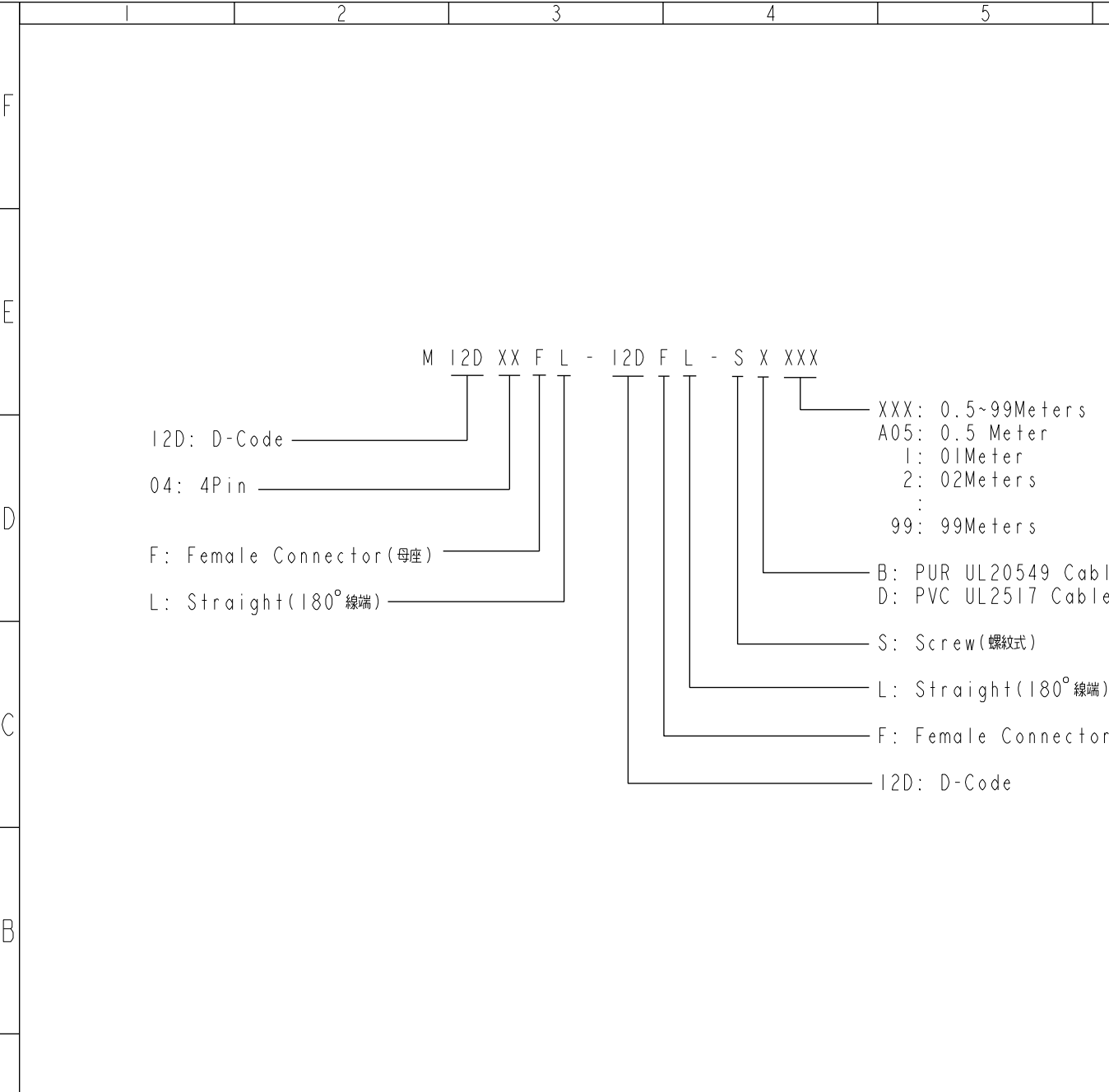
Amphenol LTW
安費諾亮泰企業股份有限公司

ITEM NO	DRAWN BY Ruru	DATE 2018-12-11
DWG NO MI2DXXFL-12DFL-SXXXX	CHECKED BY Rita	DATE 2018-12-11
CUSTOMER ALTW	APPROVED BY Max	DATE 2018-12-11

THIS DOCUMENT IS SUBJECT TO CHANGE WITHOUT NOTICE. IT IS CONFIDENTIAL AND A PROPERTY OF Amphenol LTW. DISCLOSURE TO THIRD PARTY HAS TO BE AUTHORIZED BY Amphenol LTW.

THIS DOCUMENT IS SUBJECT TO CHANGE WITHOUT NOTICE. IT IS CONFIDENTIAL AND A PROPERTY OF Amphenol LTW. DISCLOSURE TO THIRD PARTY HAS TO BE AUTHORIZED BY Amphenol LTW.

6		7		8	
4P	PVC	4.8	22	MI2D04FL-12DFL-SDXXX	
4P	PUR	4.0		MI2D04FL-12DFL-SBXXX	
Contacts	Cable Jacket	Cable OD	AWG	Item No.	



M I2D XX F L - I2D F L - S X XXX

- I2D: D-Code
- 04: 4Pin
- F: Female Connector(母座)
- L: Straight(180°線端)
- XXX: 0.5~99Meters
- A05: 0.5 Meter
- 1: 01Meter
- 2: 02Meters
- ...
- 99: 99Meters
- B: PUR UL20549 Cable,Black(PUR黑色外被線材)
- D: PVC UL2517 Cable,Black(PVC黑色外被線材)
- S: Screw(螺紋式)
- L: Straight(180°線端)
- F: Female Connector(母座)
- I2D: D-Code

Pin Out	5	--	
	4	Black	黑
Pin #	3	Blue	藍
	2	White	白
Wire	1	Brown	棕
	Pin # Wire		
C1 & C2			
	4P		
Pin Assignments Front View			

UNIT:mm		TITLE MI2 D-Code Double Ended	
TOLERANCE	± 0.5 mm	SCALE 1:2	SIZE A4
REV. A	WC-REV. A.5	SHEET 2	OF 2
QC: Inspection item			

Amphenol LTW
安費諾亮泰企業股份有限公司

ITEM NO	DRAWN BY	DATE
DWG NO MI2DXXXFL-12DFL-SXXXX	Ruru	2018-12-11
CUSTOMER ALTW	CHECKED BY Rita	DATE 2018-12-11
	APPROVED BY Max	DATE 2018-12-11

X-ON Electronics

Largest Supplier of Electrical and Electronic Components

Click to view similar products for [Sensor Cables / Actuator Cables](#) category:

Click to view products by [Amphenol](#) manufacturer:

Other Similar products are found below :

[1300070444](#) [43-10984](#) [M83513/19-F01CP](#) [704000D02F120](#) [MDM15SH001K](#) [MDM25PH003BF222](#) [802027107404-1](#) [885030A09M010](#)
[885030A09M020](#) [1200650174](#) [1200651332](#) [1200651713](#) [1200660171](#) [1200660208](#) [1200660343](#) [1200660804](#) [1200660845](#) [1200660926](#)
[1200660977](#) [1200661173](#) [1200661354](#) [120066-1712](#) [1200720053](#) [1200720099](#) [1200720153](#) [1200720172](#) [1200720217](#) [1200720226](#)
[1200720251](#) [1200720285](#) [1200720296](#) [1200720404](#) [1200720537](#) [1200730148](#) [1200730378](#) [1200800231](#) [1200860112](#) [1200860121](#)
[1200860125](#) [1200860337](#) [1200860365](#) [1200860420](#) [1200870046](#) [1200870123](#) [1200870248](#) [1200980102](#) [1200660181](#) [1200660183](#)
[1200660827](#) [1200660849](#)