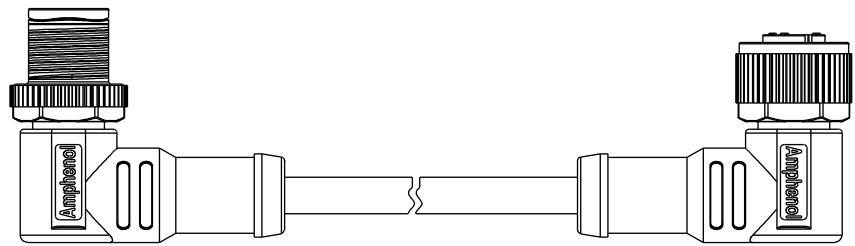
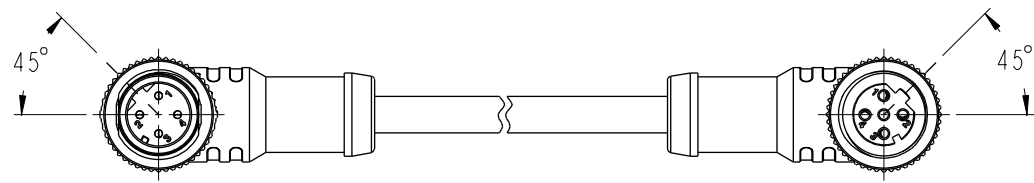
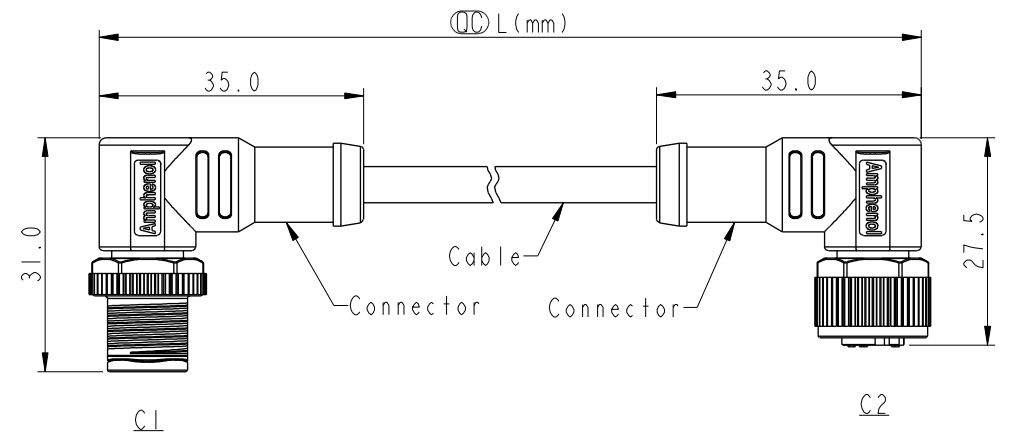


THIS DOCUMENT IS SUBJECT TO CHANGE WITHOUT NOTICE. IT IS CONFIDENTIAL AND A PROPERTY OF Amphenol LTW. DISCLOSURE TO THIRD PARTY HAS TO BE AUTHORIZED BY Amphenol LTW.

REV.	DESCRIPTION

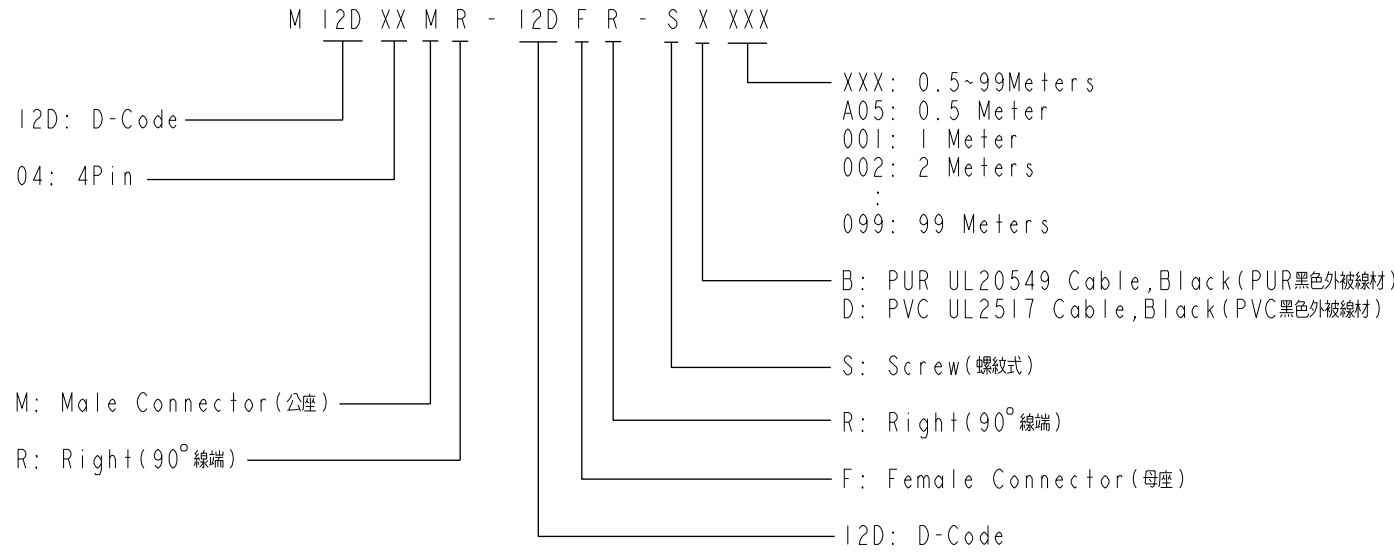


- Note:
- \*  $\varnothing$  Important Dimension.
  - \* Waterproof Rate: IP68, IP69K.
  - \* Connector: PU+GF, Black.
  - \* Pin: Copper Alloy, Gold Plated.
  - \* Screw Nut: Zinc Alloy, Nickel Plated.
  - \* Outer Mold: PU, Black.
  - \* Cable: (B) UL20549, PUR Jacket, Black.  
(D) UL2517, PVC Jacket, Black.
  - \* Rated Voltage: 4Pin 250V dc. or ac.
  - \* Rated Current: 4Pin 4A
  - \* Cable Length Tolerance: 0.5±20mm  
01±40mm  
02M~05M:±60mm  
06M~10M:±100mm  
11M~30M:±200mm  
31M~99M:±500mm

UNIT:mm TOLERANCE ±0.5 mm		TITLE MI2 D-Code Double Ended	<h1>Amphenol LTW</h1> <h2>安費諾亮泰企業股份有限公司</h2>		ITEM NO	DRAWN BY Vicky	DATE 2018-12-11
		SCALE 1:1			SIZE A4	SHEET 1 OF 2	DWG NO MI2DXXMR-12DFR-SXXXX
		REV. A	WC-REV. A.5	$\varnothing$ : Inspection item	CUSTOMER ALTW	APPROVED BY Max	DATE 2018-12-11

THIS DOCUMENT IS SUBJECT TO CHANGE WITHOUT NOTICE. IT IS CONFIDENTIAL AND A PROPERTY OF AMPHENOL LTW. DISCLOSURE TO THIRD PARTY HAS TO BE AUTHORIZED BY AMPHENOL LTW.

4P	PVC	4.8	22	MI2D04MR-12DFR-SDXXX
4P	PUR	4.0		MI2D04MR-12DFR-SBXXX
Contacts	Cable Jacket	Cable OD	AWG	Item No.



Pin Out	5 -- 4 Black 3 Blue 2 White 1 Brown	黑 藍 白 棕
	Pin #	Wire
C2		4P
C1		4P
Pin Assignments Front View		

UNIT:mm TOLERANCE			TITLE MI2 D-Code Double Ended		<h1>Amphenol LTW</h1> <p>安費諾亮泰企業股份有限公司</p>		ITEM NO	DRAWN BY Vicky	DATE 2018-12-11
	SCALE 1:1	SIZE A4	SHEET 2 OF 2	DWG NO MI2DXXXMR-12DFR-SXXXX			CHECKED BY Rita	DATE 2018-12-11	
	REV. A	WC-REV. A.5	QC: Inspection item	CUSTOMER ALTW	APPROVED BY Max	DATE 2018-12-11			

## X-ON Electronics

Largest Supplier of Electrical and Electronic Components

*Click to view similar products for [Sensor Cables / Actuator Cables](#) category:*

*Click to view products by [Amphenol](#) manufacturer:*

Other Similar products are found below :

[1300070444](#) [43-10984](#) [M83513/19-F01CP](#) [704000D02F120](#) [MDM15SH001K](#) [MDM25PH003BF222](#) [802027107404-1](#) [885030A09M010](#)  
[885030A09M020](#) [1200650174](#) [1200651332](#) [1200651713](#) [1200660171](#) [1200660208](#) [1200660343](#) [1200660804](#) [1200660845](#) [1200660926](#)  
[1200660977](#) [1200661173](#) [1200661354](#) [120066-1712](#) [1200720053](#) [1200720099](#) [1200720153](#) [1200720172](#) [1200720217](#) [1200720226](#)  
[1200720251](#) [1200720285](#) [1200720296](#) [1200720404](#) [1200720537](#) [1200730148](#) [1200730378](#) [1200800231](#) [1200860112](#) [1200860121](#)  
[1200860125](#) [1200860337](#) [1200860365](#) [1200860420](#) [1200870046](#) [1200870123](#) [1200870248](#) [1200980102](#) [1200660181](#) [1200660183](#)  
[1200660827](#) [1200660849](#)