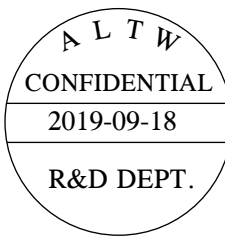
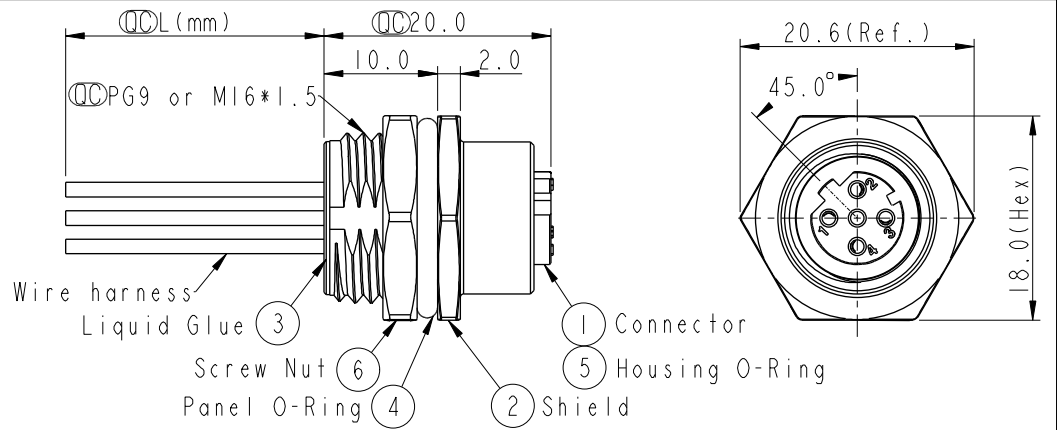
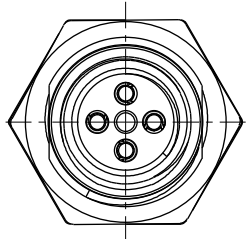
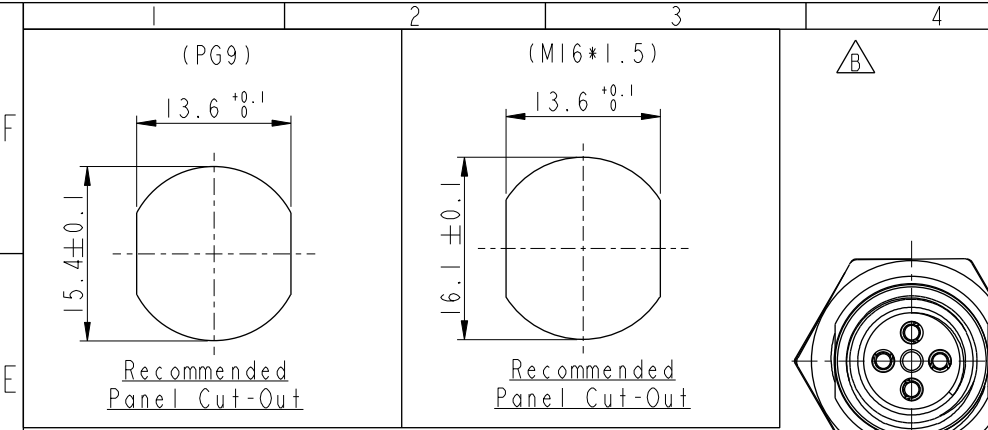
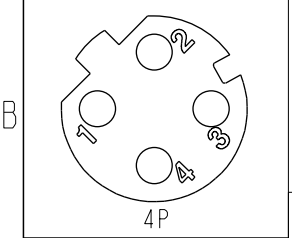


THIS DOCUMENT IS SUBJECT TO CHANGE WITHOUT NOTICE. IT IS CONFIDENTIAL AND A PROPERTY OF Amphenol LTW. DISCLOSURE TO THIRD PARTY HAS TO BE AUTHORIZED BY Amphenol LTW.

REV.	ECN NO.	DATE	SIGN	DESCRIPTION
B	LE31580014~015	2015/07/25	Yulong_wang	Change to Share Drawing.
C	CI91643	2019/09/18	Vicky	Update Wire Tolerance



4	Black	黑
3	Blue	藍
2	White	白
1	Brown	棕
Pin #	Wire	
Pin Out		



M 12D - 04 P F F C - S H 8 X XX/C

12D: D-Code
 04: 4Pin
 P: Panel (板端)
 F: Female Connector (母座)
 F: Female Pin (母Pin)
 C: Crimp Type (打端式)
 S: Screw (螺紋式)

15: 150mm
 20: 200mm
 95: 950mm
 Cable Pitch Unit: 50mm

A0: 1000mm
 A5: 1500mm
 Cable Pitch Unit: 100mm
 Wire Length (L): 150~1500mm

B: PG9
 C: M16*1.5

8: IP68 (防水等級68)

H: Rear Fasten (后鎖式/Enclosure Front Mount)

- Note:
- * \varnothing Important Dimension.
 - * Waterproof Rate: IP68.
 - * Housing: Nylon+GF, Black.
 - * Female Pin: Copper Alloy, Gold Plated.
 - * Shield: Zinc Alloy, Nickel Plated.
 - * Screw Nut: Zinc Alloy, Nickel Plated.
 - * Panel O-Ring: Viton, Black.
 - * Housing O-Ring: Viton, Green.
 - * Wire harness: UL1061
 - * Rated Voltage: 250V dc. or ac.
 - * Rated Current: 4A
 - * Operating Temperature: -25~85°C
 - * For Panel Thickness Max 4.5mm.
 - * Recommended Nut Torque: 4-6 Kgf.cm.
 - * Wire harness Tolerance: 150~300 ±15mm
 301~1000 ±20mm
 Over 1000 +50/-0mm

4P	4P	UL1061	22	M12D-04PFFC-SH8BXX M12D-04PFFC-SH8CXX
Pin Assignments Front View	Contacts	Wire harness	AWG	Item No.

UNIT: mm		TITLE: M12 D-Code Female Conn. Panel Rear With Wire harness		
TOLERANCE		SCALE: 2:1	SIZE: A4	SHEET: 1 OF 1
.X ±0.25		REV: C	WC-REV: A.5	\varnothing : Inspection item
.XX ±0.1				
.XXX ±0.05				
ANGLES ±1°				

Amphenol LTW
 安費諾亮泰企業股份有限公司

ITEM NO	DRAWN BY	DATE
DWG NO	CHECKED BY	DATE
CUSTOMER	APPROVED BY	DATE
ALTW	Vicky	2019-09-18
	Rita	2019-09-18
	Max	2019-09-18

X-ON Electronics

Largest Supplier of Electrical and Electronic Components

Click to view similar products for [Sensor Cables / Actuator Cables](#) category:

Click to view products by [Amphenol](#) manufacturer:

Other Similar products are found below :

[60963](#) [60964](#) [703000D02F2002](#) [703001D02F0602](#) [703001D02F300](#) [704000D02F120](#) [773032K02F030](#) [802027107404-1](#) [802027213811-1](#)
[804001A09M150](#) [805001A09M0502](#) [84914-0235](#) [84914-0237](#) [885030A09M020](#) [8R4J30E03C3003](#) [1200651332](#) [1200651713](#) [1200660844](#)
[1200660845](#) [1200661173](#) [1200680071](#) [1200720053](#) [1200720081](#) [1200720099](#) [1200720217](#) [1200800231](#) [1200860125](#) [1200870123](#)
[1200980102](#) [1200650267](#) [1200650298](#) [1200660183](#) [1200660782](#) [1200660849](#) [1200661295](#) [1200661297](#) [1200661342](#) [1200661343](#)
[1200670080](#) [1200670220](#) [1200680331](#) [1200720252](#) [1200730184](#) [1200860344](#) [1200870359](#) [1200870643](#) [1200980008](#) [1200980031](#)
[1210502211](#) [1210400542](#)