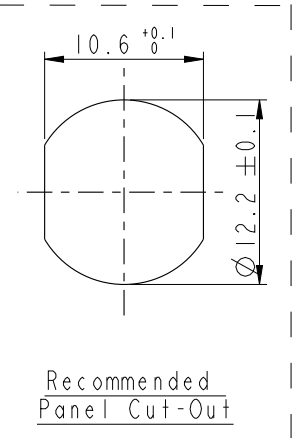
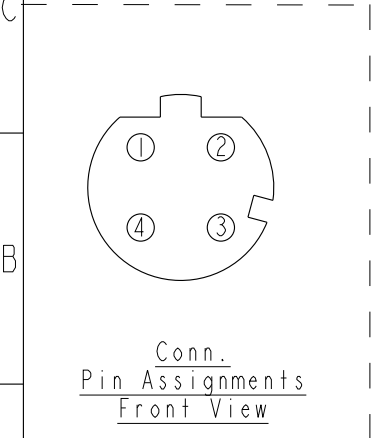
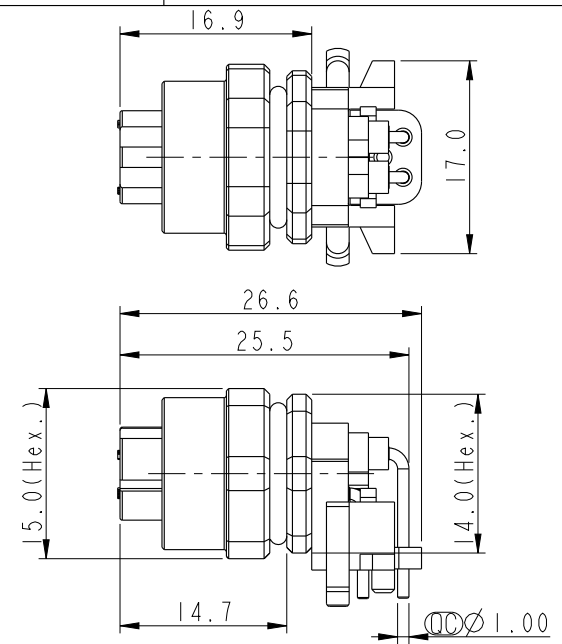
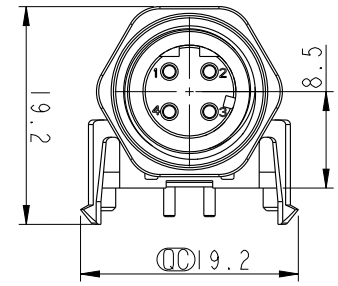
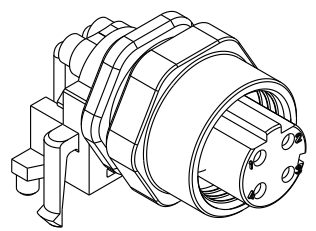
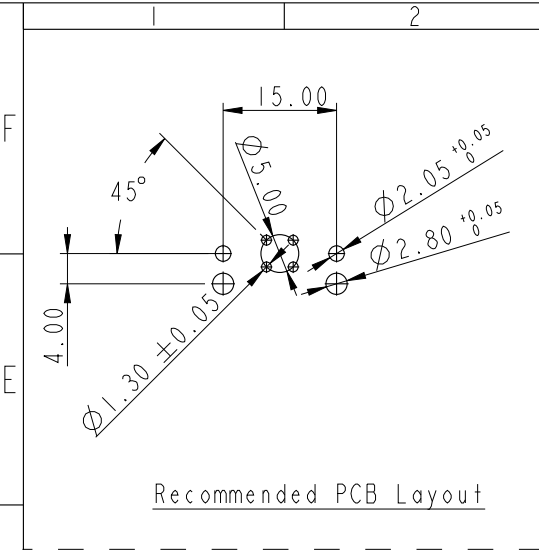
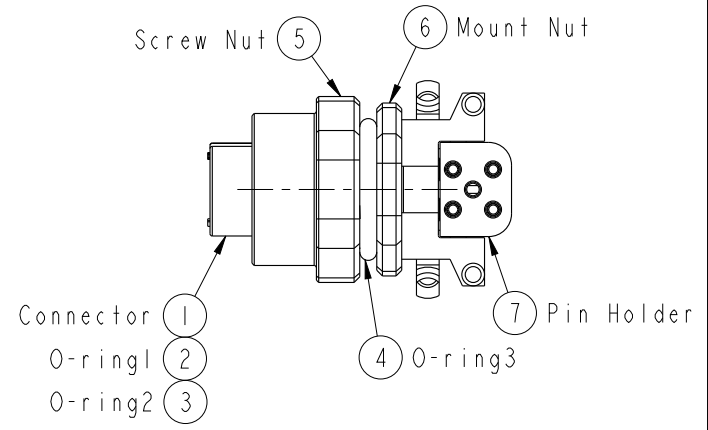


THIS DOCUMENT IS SUBJECT TO CHANGE WITHOUT NOTICE. IT IS CONFIDENTIAL AND A PROPERTY OF Amphenol LTW. DISCLOSURE TO THIRD PARTY HAS TO BE AUTHORIZED BY Amphenol LTW.

REV.	ECN NO.	DATE	SIGN	DESCRIPTION
B	C200275	2020-03-13	Nan_Su	△B *1



- Note:
- * \varnothing Important Dimension To Check.
 - * Waterproof Rating: IP67(Mated Waterproof)
 - * Connector: PBT+PC, Black
 - * Female Pins: Copper Alloy, Gold Plated
 - * Mounting Nut: Zinc Alloy, Nickel Plated
 - * Screw Nut: Zinc Alloy, Nickel Plated
 - * O-ring1: Silicon, Black
 - * O-ring2: Silicon, Gray
 - * O-ring3: Silicon, Gray
 - * Pin Holder: PBT+PC, Black
 - * For Panel Thickness Max. 3.0mm
 - * For PCB Thickness Max. 1.6mm



UNIT:mm		
TOLERANCE	.X ±0.25	
	.XX ±0.1	
	.XXX ±0.05	
ANGLES	±1°	

TITLE M12 DCODE 90° PANEL 4PIN FCONN FPIN			
SCALE 3:2	SIZE A4	SHEET 1 OF 1	
REV. B	WC-REV. A.1	\varnothing : Inspection item	

Amphenol LTW
安費諾亮泰企業股份有限公司

ITEM NO. M12D-04PFFR-SF7003	DRAWN BY Yulong_wang	DATE 2016-11-10
DWG NO. M12D-04PFFR-SF7003	CHECKED BY Jinhai	DATE 2016-11-10
CUSTOMER ALTW	APPROVED BY Jerry	DATE 2016-11-10

X-ON Electronics

Largest Supplier of Electrical and Electronic Components

Click to view similar products for [Circular Metric Connectors](#) category:

Click to view products by [Amphenol](#) manufacturer:

Other Similar products are found below :

[600X518037X](#) [6STD15PCR99B70A](#) [8R4000A16M020](#) [8R5000A16M005](#) [1200910002](#) [1203580030](#) [1200910008](#) [1200910011](#) [1300140094](#)
[130203-0054](#) [1300140026](#) [1300150099](#) [1-3637-600-5205](#) [1612618](#) [21036836414](#) [8R4006A16M010](#) [1R3006A20M005](#) [41-40011](#) [42-00006](#)
[42-01015](#) [4-22279-4](#) [4-22281-1](#) [4-22284-9](#) [43-00113](#) [43-01088](#) [43-01203](#) [41-40013](#) [42-00008](#) [43-00343](#) [43-01026](#) [43-01162](#) [43-01173](#) [43-](#)
[10000](#) [XS3P-M421-2](#) [600X518050X](#) [8R5006A16M020](#) [8R4000A16M010](#) [6-22279-3](#) [1605332](#) [N03FA03144](#) [1300140077](#) [43-16213](#) [43-](#)
[01338](#) [XS2RD4265](#) [XS2R-D426-1](#) [XS8A-0441](#) [859RD04-103R004](#) [860RD04-113R004](#) [860RD04-213R004](#) [1-213245-2](#)