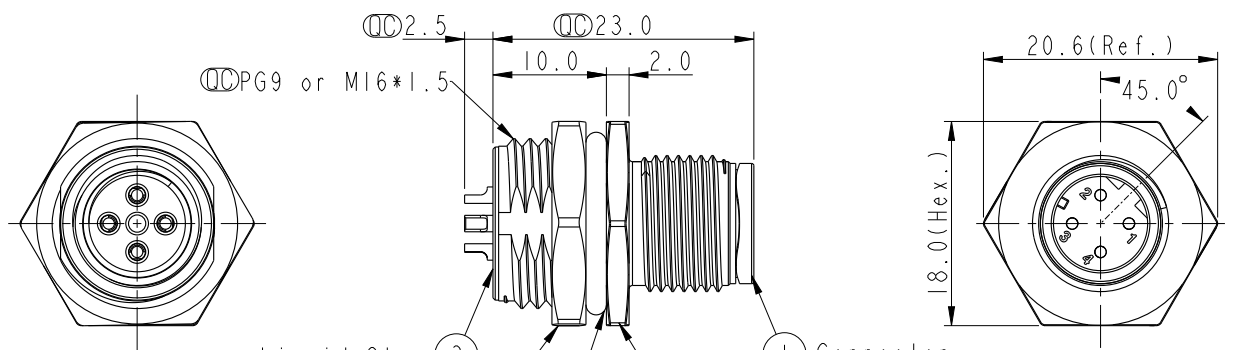
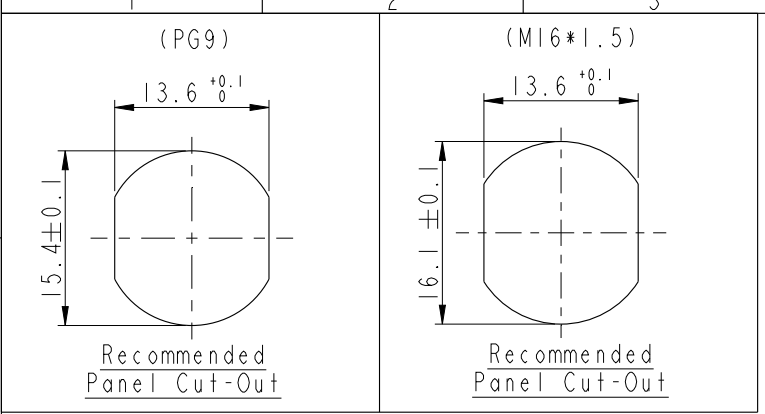


THIS DOCUMENT IS SUBJECT TO CHANGE WITHOUT NOTICE. IT IS CONFIDENTIAL AND A PROPERTY OF AMPHENOL LTW. DISCLOSURE TO THIRD PARTY HAS TO BE AUTHORIZED BY AMPHENOL LTW.

REV.	ECN NO.	DATE	SIGN	DESCRIPTION
B	LEN1580019-020	2015/07/24	Yulong_wang	Change to Share Drawing.
C	LEN1690147-148	2016/08/23	Yulong_wang	Add 3, 5 Pin & IP69K.



M I2D - XX P M M S - S H 8 XXX

I2D: D-Code

03: 3Pin

04: 4Pin

05: 5Pin

P: Panel (板端)

M: Male Connector (公座)

M: Male Pin (公Pin)

001: PG9

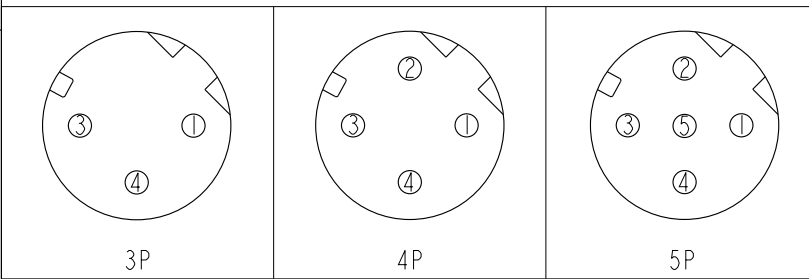
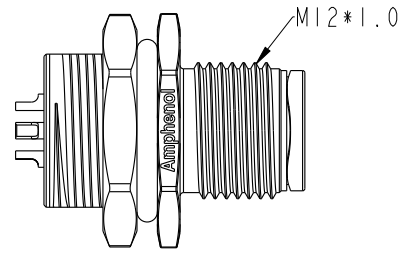
002: M16*1.5

8: IP68/69K (防水等級68/69K)

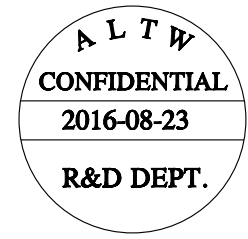
H: Rear Fasten (后鎖式/Enclosure Front Mount)

S: Screw (螺紋式)

S: Solder Type (焊接式)



Pin Assignment Front View



Note:

- * \varnothing Important Dimension.
- * Waterproof Rate: IP68, IP69K.
- * Housing: Nylon+GF, Black.
- * Male Pin: Copper Alloy, Gold Plated.
- * Shield: Zinc Alloy, Nickel Plated.
- * Screw Nut: Zinc Alloy, Nickel Plated.
- * Panel O-Ring: Viton, Black.
- * Rated Voltage: 3 & 4Pin 250V dc. or ac.
- * 5Pin 60V dc. or ac.
- * Rated Current: 4A
- * Operating Temperature: -40~+105°C
- * For Panel Thickness Max 4.5mm.
- * Recommended Nut Torque: 4-6 Kgf.cm.

UNIT: mm		TITLE M12 D-Code Male Conn. Solder Rear Type			ITEM NO	DRAWN BY Yulong_wang	DATE 2016-08-23
		TOLERANCE .X ±0.25 .XX ±0.1 .XXX ±0.05 ANGLES ±1°	SCALE 2:1	SIZE A4	SHEET 1 OF 1	DWG NO M12D-XXPMS-SH8XXX	CHECKED BY Jinhai
		REV. C	WC-REV. A.5	\varnothing : Inspection item	CUSTOMER ALTW	APPROVED BY Jerry	DATE 2016-08-23

Amphenol LTW
安費諾亮泰企業股份有限公司

X-ON Electronics

Largest Supplier of Electrical and Electronic Components

Click to view similar products for [Circular Metric Connectors](#) category:

Click to view products by [Amphenol](#) manufacturer:

Other Similar products are found below :

[600X518037X](#) [6STD15PCR99B70A](#) [8R4000A16M020](#) [8R5000A16M005](#) [1200910002](#) [1203580030](#) [1200910008](#) [1200910011](#) [1300140094](#)
[130203-0054](#) [1300140026](#) [1300150099](#) [1-3637-600-5205](#) [1612618](#) [21036836414](#) [8R4006A16M010](#) [1R3006A20M005](#) [41-40011](#) [42-00006](#)
[42-01015](#) [4-22279-4](#) [4-22281-1](#) [4-22284-9](#) [43-00113](#) [43-01088](#) [43-01203](#) [41-40013](#) [42-00008](#) [43-00343](#) [43-01026](#) [43-01162](#) [43-01173](#) [43-](#)
[10000](#) [XS3P-M421-2](#) [600X518050X](#) [8R5006A16M020](#) [8R4000A16M010](#) [6-22279-3](#) [1605332](#) [N03FA03144](#) [1300140077](#) [43-16213](#) [43-](#)
[01338](#) [XS2RD4265](#) [XS2R-D426-1](#) [XS8A-0441](#) [859RD04-103R004](#) [860RD04-113R004](#) [860RD04-213R004](#) [1-213245-2](#)