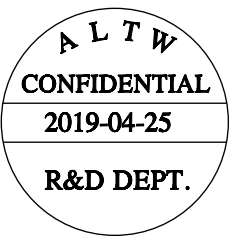
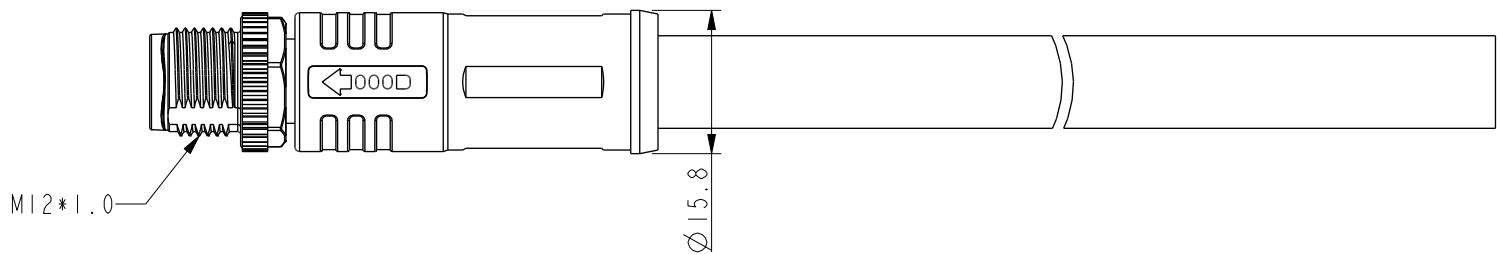
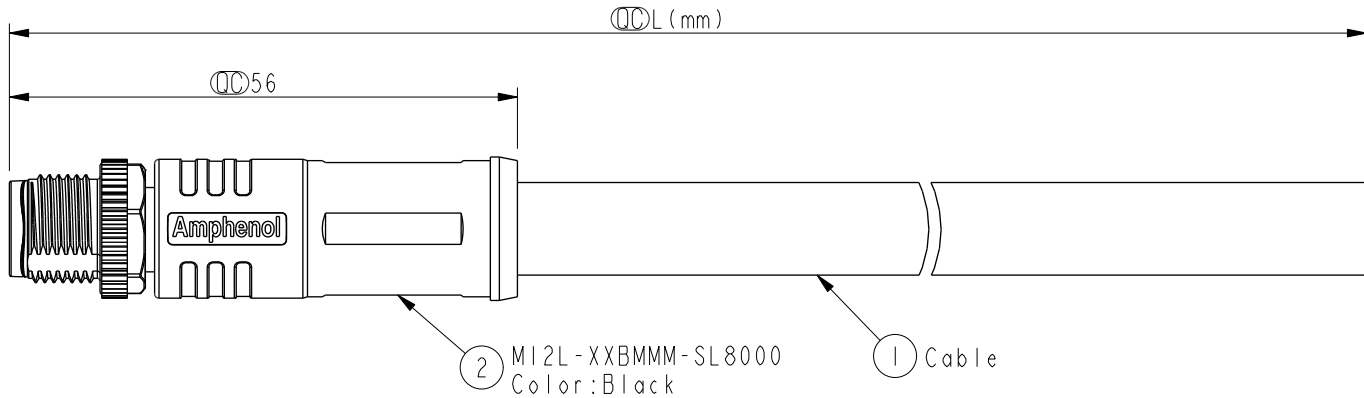


REV.	ECN NO.	DATE	SIGN	DESCRIPTION
A		2019-04-25	Allen Pan	05版轉A



4	-	-	4	-	-	4	Gray	黑	4	-	-	4	-	-	4	Gray	黑
3	Blue	藍	3	Blue	藍	3	Blue	藍	3	Blue	藍	3	Blue	藍	3	Blue	藍
2	Black	白	2	Black	白	2	Black	白	2	Black	白	2	Black	白	2	Black	白
1	-	-	1	White	棕	1	White	棕	1	-	-	1	White	棕	1	White	棕
FE	-	-	FE	-	-	FE	-	-	FE	Brown	灰	FE	Brown	灰	FE	Brown	灰
Pin #	Wire		Pin #	Wire		Pin #	Wire		Pin #	Wire		Pin #	Wire		Pin #	Wire	
2P			3P			4P			2+FE			3+FE			4+FE		

Pin Assignments Front View

- Notes:
- \*  $\text{CC}$  Important Dimension to Check.
  - \* Waterproof Rate: IP68(1M, 24Hour).
  - \* Housing: Thermoplastic, Black.
  - \* Pin: Copper Alloy, Gold Plated.
  - \* Nut: Zinc Alloy, Nickel Plated.
  - \* Outer Mold: Thermoplastic, Black.
  - \* Cable: UL20233, 14AWG, PUR Jacket, Black
  - \* Rated Voltage: 63V DC.
  - \* Rated Current: 16A
  - \* Operating Temperature: -25~80°C
  - \* Cable Length Tolerance: 01M:±40mm  
02M~05M:±60mm  
06M~10M:±100mm  
11M~30M:±200mm  
31M~99M:±500mm

UNIT:mm		
TOLERANCE	±0.5mm	

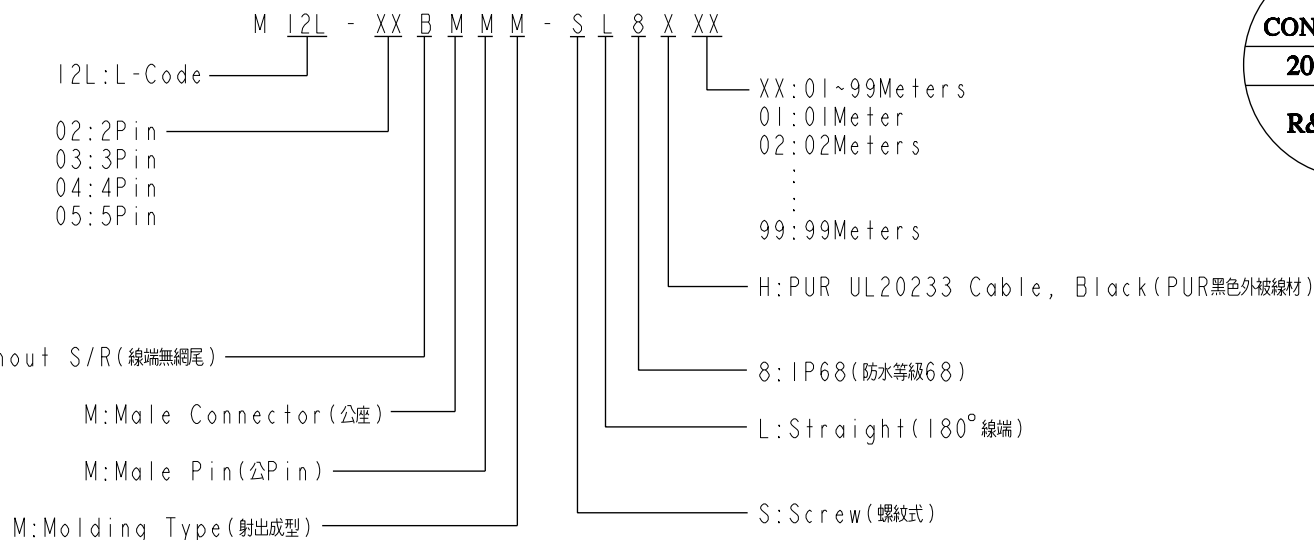
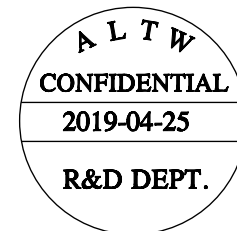
TITLE M12 L-CODE, STRAIGHT, MALE CONN + CABLE			
SCALE 6:5	SIZE A4	SHEET 1 OF 2	
REV. A	WC-REV. A.11	$\text{CC}$ : Inspection item	

**Amphenol LTW**  
安費諾亮泰企業股份有限公司

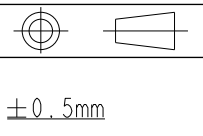
ITEM NO M12L-XXBMMM-SL8XXX	DRAWN BY Allen Pan	DATE 2019-04-25
DWG NO M12L-XXBMMM-SL8XXX	CHECKED BY Fred Lee	DATE 2019-04-25
CUSTOMER ALTW	APPROVED BY Fred Lee	DATE 2019-04-25

THIS DOCUMENT IS SUBJECT TO CHANGE WITHOUT NOTICE. IT IS CONFIDENTIAL AND A PROPERTY OF Amphenol LTW. DISCLOSURE TO THIRD PARTY HAS TO BE AUTHORIZED BY Amphenol LTW.

THIS DOCUMENT IS SUBJECT TO CHANGE WITHOUT NOTICE. IT IS CONFIDENTIAL AND A PROPERTY OF Amphenol LTW. DISCLOSURE TO THIRD PARTY HAS TO BE AUTHORIZED BY Amphenol LTW.



UNIT: mm  
TOLERANCE  
±0.5mm



TITLE MI2 L-CODE, STRAIGHT, MALE CONN + CABLE			
SCALE 6:5	SIZE A4	SHEET 2 OF 2	
REV. A	WC-REV. A.11	QC: Inspection item	

**Amphenol LTW**  
安費諾亮泰企業股份有限公司

ITEM NO MI2L-XXBMMM-SL8XXX	DRAWN BY Allen Pan	DATE 2019-04-25
DWG NO MI2L-XXBMMM-SL8XXX	CHECKED BY Fred Lee	DATE 2019-04-25
CUSTOMER ALTW	APPROVED BY Fred Lee	DATE 2019-04-25

## X-ON Electronics

Largest Supplier of Electrical and Electronic Components

*Click to view similar products for [Sensor Cables / Actuator Cables](#) category:*

*Click to view products by [Amphenol](#) manufacturer:*

Other Similar products are found below :

[60963](#) [60964](#) [M83513/19-F01CP](#) [703000D02F2002](#) [703001D02F0602](#) [703001D02F300](#) [704000D02F120](#) [773032K02F030](#) [802027107404-1](#)  
[802027213811-1](#) [804001A09M150](#) [805001A09M0502](#) [84914-0235](#) [84914-0237](#) [885030A09M020](#) [8R4J30E03C3003](#) [1200651332](#)  
[1200651713](#) [1200660844](#) [1200660845](#) [1200661173](#) [1200680071](#) [1200720053](#) [1200720081](#) [1200720099](#) [1200720217](#) [1200800231](#)  
[1200860125](#) [1200870123](#) [1200980102](#) [1200650267](#) [1200650298](#) [1200660183](#) [1200660782](#) [1200660849](#) [1200661295](#) [1200661297](#)  
[1200661342](#) [1200661343](#) [1200670080](#) [1200670220](#) [1200680331](#) [1200720252](#) [1200730184](#) [1200860344](#) [1200870359](#) [1200870643](#)  
[1200980008](#) [1200980031](#) [1210502211](#)