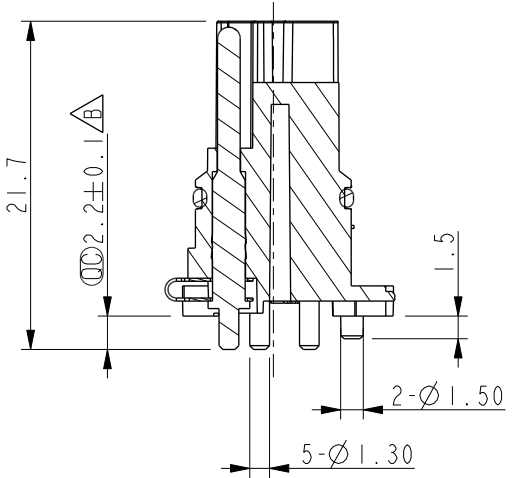
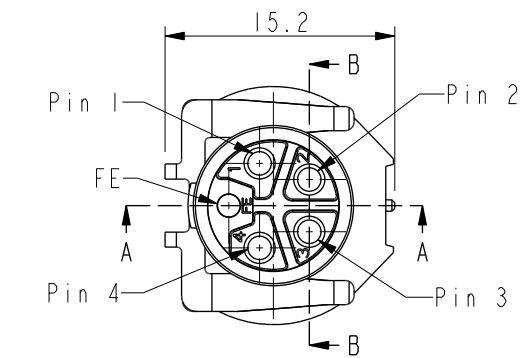
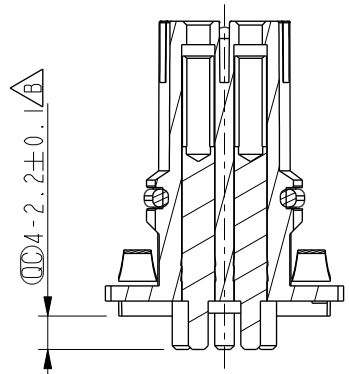


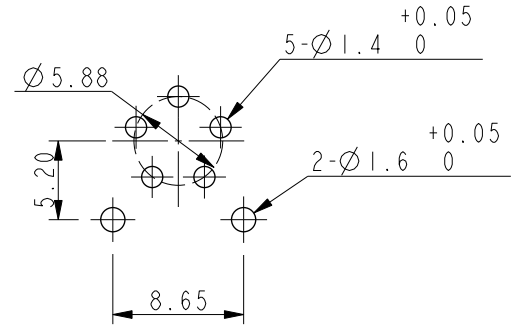
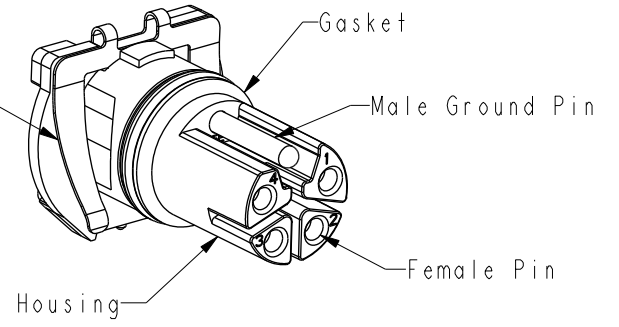
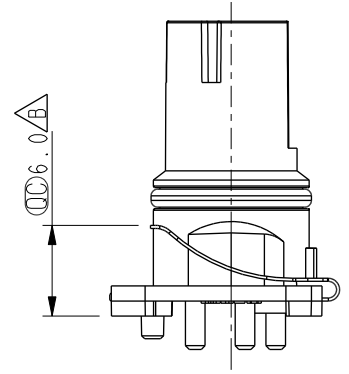
REV.	ECN NO.	DATE	SIGN	DESCRIPTION
A		2019-04-12	Allen Pan	03版轉A
B	CI90737	2019-05-13	Allen Pan	取消半成品階ZSE00108751·增加檢驗尺寸



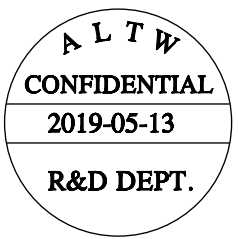
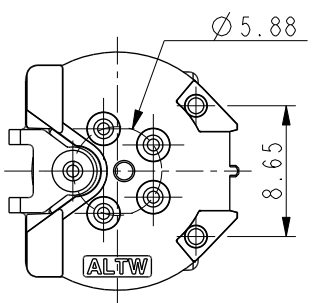
SECTION A-A



SECTION B-B



Recommended PCB Layout
General tolerance: ±0.05 mm



- Notes:
- * Rated Voltage: 63V DC.
 - * Rated Current: 16A.
 - * Operating Temperature: -25~105°C.
 - * Housing: Thermoplastic, Black.
 - * Pin: Copper Alloy, Gold Plated.
 - * Gasket: Rubber, Black.
 - * Spring: Metal.
 - * Packing: Tray.
 - * Gasket is packed separately in PE bags.

UNIT: mm			TITLE M12 L CODE, PANEL, THRU HOLE TYPE 5PIN, FEMALE CONN.
TOLERANCE	.X ±0.25	.XX ±0.1	SCALE 2:1
.XXX ±0.05	ANGLES ±2°	REV. B	SIZE A4
		WC-REV. A.9	SHEET 1 OF 1
		◎: Inspection item	

Amphenol LTW
安費諾亮泰企業股份有限公司

ITEM NO. M12L-05PFFP-EE0001	DRAWN BY Allen Pan	DATE 2019-05-13
DWG NO. M12L-05PFFP-EE0001	CHECKED BY Fred Lee	DATE 2019-05-13
CUSTOMER ALTW	APPROVED BY Fred Lee	DATE 2019-05-13

THIS DOCUMENT IS SUBJECT TO CHANGE WITHOUT NOTICE. IT IS CONFIDENTIAL AND A PROPERTY OF AMPHENOL LTW. DISCLOSURE TO THIRD PARTY HAS TO BE AUTHORIZED BY AMPHENOL LTW.

X-ON Electronics

Largest Supplier of Electrical and Electronic Components

Click to view similar products for [Circular Metric Connectors](#) category:

Click to view products by [Amphenol](#) manufacturer:

Other Similar products are found below :

[600X518037X](#) [6STD15PCR99B70A](#) [8R4000A16M020](#) [8R5000A16M005](#) [1200910002](#) [1203580030](#) [1200910008](#) [1200910011](#) [1300140094](#)
[130203-0054](#) [1300140026](#) [1300150099](#) [1-3637-600-5205](#) [1612618](#) [21036836414](#) [8R4006A16M010](#) [1R3006A20M005](#) [41-40011](#) [42-00006](#)
[42-01015](#) [4-22279-4](#) [4-22281-1](#) [4-22284-9](#) [43-00113](#) [43-01203](#) [41-40013](#) [42-00008](#) [43-00343](#) [43-01026](#) [43-01162](#) [43-01173](#) [43-10000](#)
[XS3P-M421-2](#) [600X518050X](#) [8R5006A16M020](#) [8R5006A16M005](#) [8R4000A16M010](#) [6-22279-3](#) [1605332](#) [N03FA03144](#) [1300140077](#) [43-](#)
[16213](#) [43-01338](#) [XS2RD4265](#) [XS2R-D426-1](#) [XS8A-0441](#) [859RD04-103R004](#) [860RD04-113R004](#) [860RD04-213R004](#) [1-213245-2](#)