

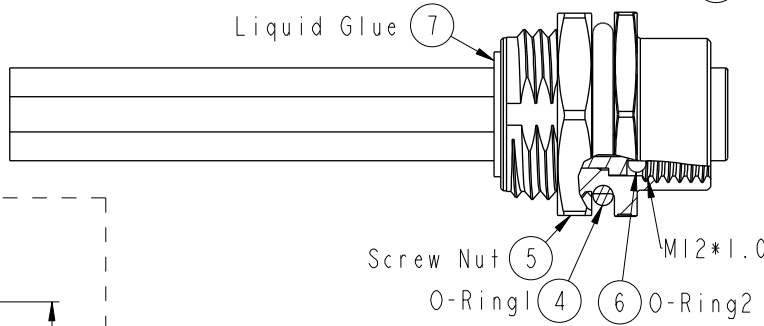
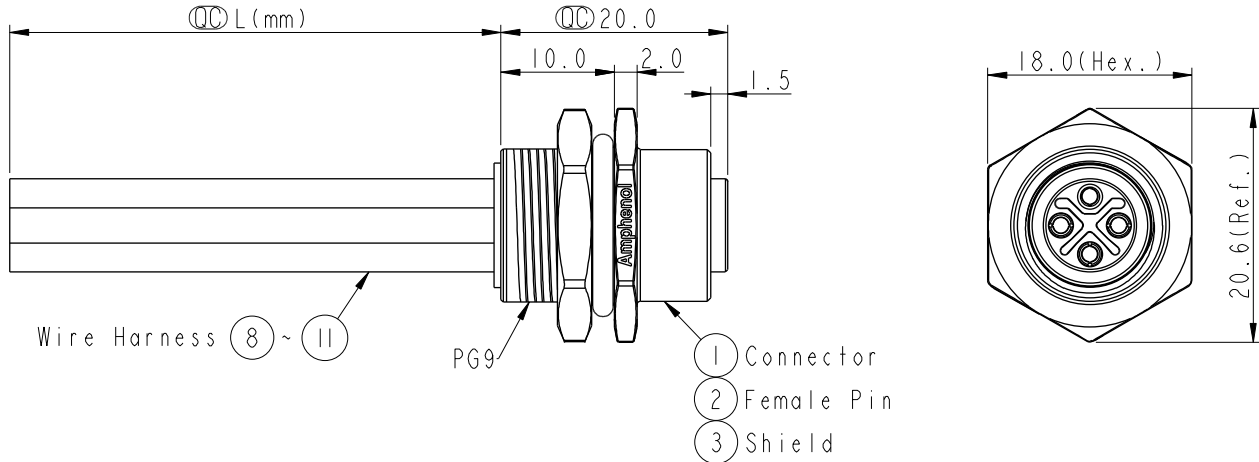
THIS DOCUMENT IS SUBJECT TO CHANGE WITHOUT NOTICE. IT IS CONFIDENTIAL AND A PROPERTY OF Amphenol LTW. DISCLOSURE TO THIRD PARTY HAS TO BE AUTHORIZED BY Amphenol LTW.

ALTW  
CONFIDENTIAL  
2019-09-19  
R&D DEPT.

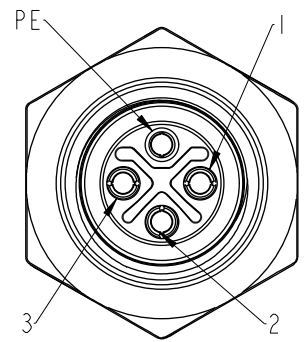
REV.	ECN NO.	DATE	SIGN	DESCRIPTION
A	Initial Release	2015/03/04	Cary	Change Rev. 01 to Rev.A
B	CI91643	2019/09/19	Vicky	Update Wire Tolerance

M12S-04PFFS-SH8BXX  $\triangle B$

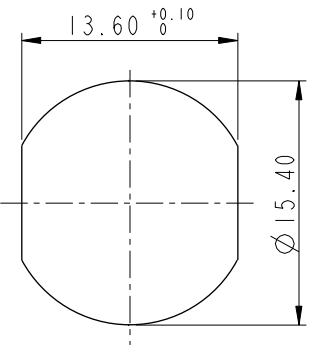
15: 150mm  
20: 200mm  
95: 950mm  
Cable Pitch Unit: 50mm  
A0: 1000mm  
A5: 1500mm  
Cable Pitch Unit: 100mm  
Wire Length(L): 150~1500mm



Note:  
 \*  $\text{⌀}$  Important Dimension.  
 \* Waterproof Rate: IP68.  
 \* IP68: 1M Depth Of Water In 24hours.  
 \* Housing: PA66, UL94V-0, Black.  
 \* Female Pin: Copper Alloy, Gold Plated.  
 \* Shield: Zinc Alloy, Nickel Plated.  
 \* Panel Nut: Zinc Alloy, Nickel Plated.  
 \* O-Ring1: Viton, Black.  
 \* O-Ring2: Viton, Green.  
 \* Wire Harness: UL1015 16AWG (1.5mm<sup>2</sup>).  
 \* Rated Voltage: 630V AC.  
 \* Rated Current at 40°C: 12A  
 \* Operation Temperature: -40~85°C.  
 \* For Panel Thickness Max 4.5mm.  
 \* Nut Torque: 4-6 Kgf.cm (0.4-0.6N.m).  
 \* Wire harness Tolerance: 150~300 ±15mm  
 301~1000 ±20mm  
 $\triangle B$  Over 1000 +50/-0mm



Pin Assignment  
Front View



Recommended  
Panel Cut-Out

PE	Black	黑
3	Blue	藍
2	White	白
1	Brown	棕
Conn.	Wire Color	
	Pin Out	

UNIT: mm

TOLERANCE	
.X	±0.25
.XX	±0.1
.XXX	±0.05
ANGLES	±1°

TITLE			
M12 S-Code 4Pin Female Type			
SCALE	2:1	SIZE	A4
REV.	B	WC-REV.	A.4
Ⓞ: Inspection item			

**Amphenol LTW**  
安費諾亮泰企業股份有限公司

ITEM NO	DRAWN BY	DATE
	Vicky	2019-09-19
DWG NO	CHECKED BY	DATE
M12S-04PFFS-SH8BXX	Rita	2019-09-19
CUSTOMER	APPROVED BY	DATE
ALTW	Max	2019-09-19

## X-ON Electronics

Largest Supplier of Electrical and Electronic Components

*Click to view similar products for [Sensor Cables / Actuator Cables](#) category:*

*Click to view products by [Amphenol](#) manufacturer:*

Other Similar products are found below :

[60963](#) [60964](#) [M83513/19-F01CP](#) [703000D02F2002](#) [703001D02F0602](#) [703001D02F300](#) [704000D02F120](#) [773032K02F030](#) [802027107404-1](#)  
[802027213811-1](#) [804001A09M150](#) [805001A09M0502](#) [84914-0235](#) [84914-0237](#) [885030A09M020](#) [8R4J30E03C3003](#) [1200651332](#)  
[1200651713](#) [1200660844](#) [1200660845](#) [1200661173](#) [1200680071](#) [1200720053](#) [1200720081](#) [1200720099](#) [1200720217](#) [1200800231](#)  
[1200860125](#) [1200870123](#) [1200980102](#) [1200650267](#) [1200650298](#) [1200660183](#) [1200660782](#) [1200660849](#) [1200661295](#) [1200661297](#)  
[1200661342](#) [1200661343](#) [1200670080](#) [1200670220](#) [1200680331](#) [1200720252](#) [1200730184](#) [1200860344](#) [1200870359](#) [1200870643](#)  
[1200980008](#) [1200980031](#) [1210502211](#)