

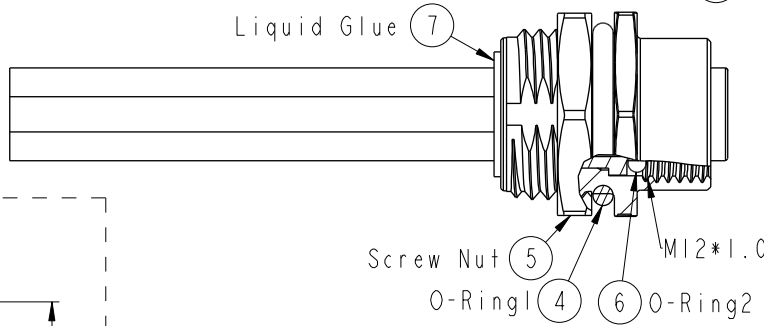
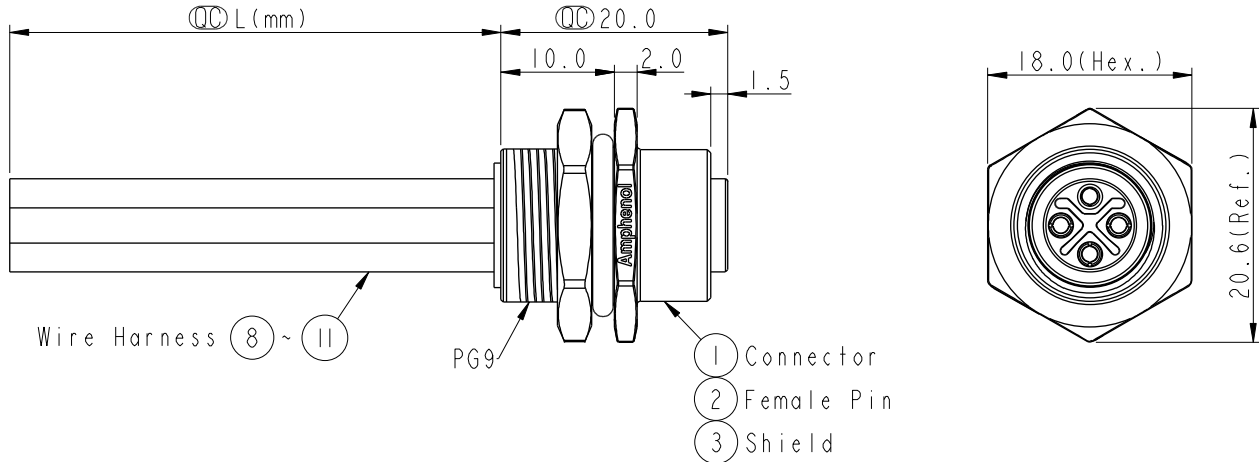
THIS DOCUMENT IS SUBJECT TO CHANGE WITHOUT NOTICE. IT IS CONFIDENTIAL AND A PROPERTY OF Amphenol LTW. DISCLOSURE TO THIRD PARTY HAS TO BE AUTHORIZED BY Amphenol LTW.

ALTW
CONFIDENTIAL
2019-09-19
R&D DEPT.

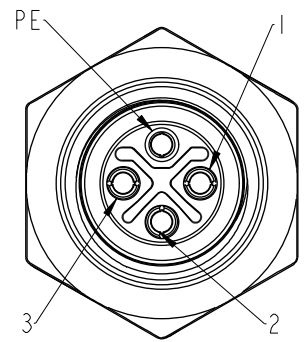
REV.	ECN NO.	DATE	SIGN	DESCRIPTION
A	Initial Release	2015/03/04	Cary	Change Rev. 01 to Rev.A
B	CI91643	2019/09/19	Vicky	Update Wire Tolerance

M12S-04PFFS-SH8BXX $\triangle B$

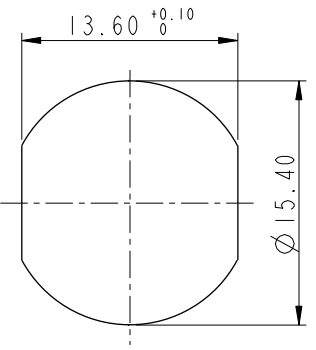
15: 150mm
20: 200mm
95: 950mm
Cable Pitch Unit: 50mm
A0: 1000mm
A5: 1500mm
Cable Pitch Unit: 100mm
Wire Length(L): 150~1500mm



- Note:
- * CC Important Dimension.
 - * Waterproof Rate: IP68.
 - * IP68: 1M Depth Of Water In 24hours.
 - * Housing: PA66, UL94V-0, Black.
 - * Female Pin: Copper Alloy, Gold Plated.
 - * Shield: Zinc Alloy, Nickel Plated.
 - * Panel Nut: Zinc Alloy, Nickel Plated.
 - * O-Ring1: Viton, Black.
 - * O-Ring2: Viton, Green.
 - * Wire Harness: UL1015 16AWG (1.5mm²).
 - * Rated Voltage: 630V AC.
 - * Rated Current at 40°C: 12A
 - * Operation Temperature: -40~85°C.
 - * For Panel Thickness Max 4.5mm.
 - * Nut Torque: 4-6 Kgf.cm (0.4-0.6N.m).
 - * Wire harness Tolerance: 150~300 ±15mm
301~1000 ±20mm
 $\triangle B$ Over 1000 +50/-0mm



Pin Assignment
Front View



Recommended
Panel Cut-Out

PE	Black	黑
3	Blue	藍
2	White	白
1	Brown	棕
Conn.	Wire Color	
	Pin Out	

UNIT: mm

TOLERANCE	
.X	±0.25
.XX	±0.1
.XXX	±0.05
ANGLES	±1°

TITLE			
M12 S-Code 4Pin Female Type			
SCALE	2:1	SIZE	A4
REV.	B	WC-REV.	A.4
CC: Inspection item			

Amphenol LTW
安費諾亮泰企業股份有限公司

ITEM NO	DRAWN BY	DATE
M12S-04PFFS-SH8BXX	Vicky	2019-09-19
DWG NO	CHECKED BY	DATE
M12S-04PFFS-SH8BXX	Rita	2019-09-19
CUSTOMER	APPROVED BY	DATE
ALTW	Max	2019-09-19

X-ON Electronics

Largest Supplier of Electrical and Electronic Components

Click to view similar products for [Sensor Cables / Actuator Cables](#) category:

Click to view products by [Amphenol](#) manufacturer:

Other Similar products are found below :

[60963](#) [60964](#) [703000D02F2002](#) [703000D02F300](#) [703001D02F0602](#) [703001D02F1201](#) [703001D02F300](#) [704000D02F120](#) [MDM21SH001F](#)
[773032K02F030](#) [802027107404-1](#) [802027213811-1](#) [804001A09M150](#) [805001A09M0502](#) [84914-0235](#) [84914-0237](#) [885030A09M010](#)
[885030A09M020](#) [8R4006A18M010](#) [1200651332](#) [1200651713](#) [1200660844](#) [1200660845](#) [1200661173](#) [1200680071](#) [1200720053](#)
[1200720081](#) [1200720099](#) [1200720217](#) [1200800231](#) [1200860125](#) [1200870123](#) [1200980102](#) [1200650298](#) [1200660183](#) [1200660782](#)
[1200660849](#) [1200661295](#) [1200661297](#) [1200661342](#) [1200661343](#) [1200670220](#) [1200680331](#) [1200720252](#) [1200720255](#) [1200720597](#)
[1200730184](#) [1200860344](#) [1200870359](#) [1200870643](#)