

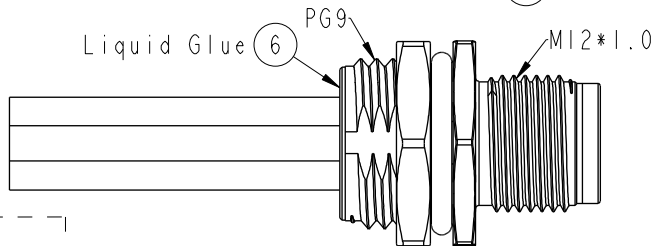
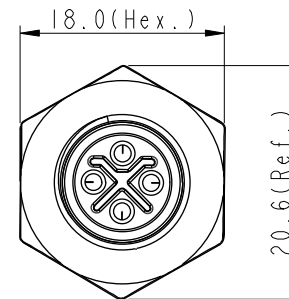
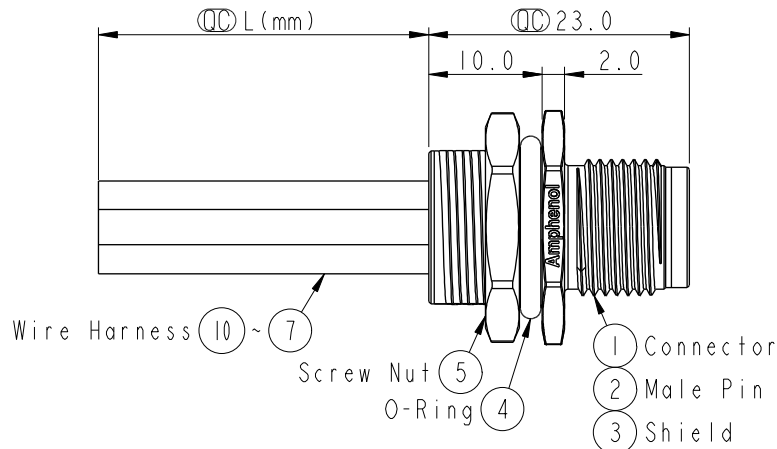
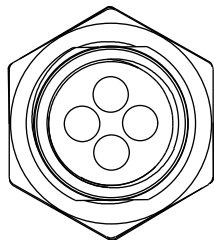
THIS DOCUMENT IS SUBJECT TO CHANGE WITHOUT NOTICE. IT IS CONFIDENTIAL AND A PROPERTY OF Amphenol LTW. DISCLOSURE TO THIRD PARTY HAS TO BE AUTHORIZED BY Amphenol LTW.



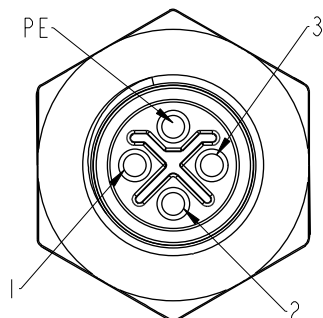
REV.	ECN NO.	DATE	SIGN	DESCRIPTION
A	Initial Release	2015/03/04	Cary	Change Rev. 01 to Rev.A
B	LE317A0006-0007	2017/10/09	Feng_Li	Update The Note
C	CI91643	2019/09/19	Vicky	Update Wire Tolerance

M12S-04PMMS-SH8BXX[△]C

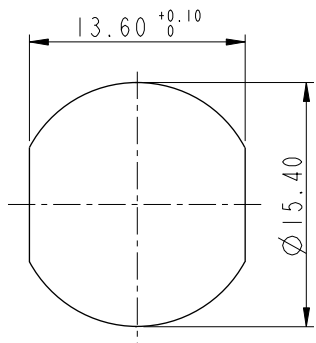
15: 150mm
 20: 200mm
 ↓
 95: 950mm
 Cable Pitch Unit: 50mm
 A0: 1000mm
 ↓
 A5: 1500mm
 Cable Pitch Unit: 100mm
 Wire Length(L): 150~1500mm



Note:
 * Ⓞ Important Dimension.
 * Waterproof Rate: IP68.
 IP68: 1M Depth Of Water In 24hours.
[△] * Housing: Nylon+GF, UL94V-0, Black.
 * Male Pin: Copper Alloy, Gold Plated.
 * Shield: Zinc Alloy, Nickel Plated.
 * Panel Nut: Zinc Alloy, Nickel Plated.
 * O-Ring: Viton, Black.
 * Wire Harness: UL1015 16AWG(1.5mm²).
 * Rated Voltage: 630V AC
 * Rated Current at 40°C: 12A
 * Operation Temperature: -40~85°C.
 * For Panel Thickness Max 4.5mm.
 * Nut Torque: 4-6 Kgf.cm(0.4~0.6N.m).
 * Wire harness Tolerance: 150~300 ±15mm
 301~1000 ±20mm
[△] Over1000 +50/-0mm



Pin Assignment
Front View



Recommended
Panel Cut-Out

PE	Black	黑
3	Blue	藍
2	White	白
1	Brown	棕
Conn.	Wire Color	
	Pin Out	

UNIT: mm

TOLERANCE	
.X	±0.25
.XX	±0.1
.XXX	±0.05
ANGLES	±1°

TITLE			
M12 S-Code 4Pin Male Type			
SCALE	1:1	SIZE	A4
REV.	C	WC-REV.	A.3
		Ⓞ	Inspection item

Amphenol LTW
 安費諾亮泰企業股份有限公司

ITEM NO	DRAWN BY	DATE
DWG NO	Vicky	2019-09-19
M12S-04PMMS-SH8BXX	CHECKED BY	DATE
	Rita	2019-09-19
CUSTOMER	APPROVED BY	DATE
ALTW	Max	2019-09-19

X-ON Electronics

Largest Supplier of Electrical and Electronic Components

Click to view similar products for [Sensor Cables / Actuator Cables](#) category:

Click to view products by [Amphenol](#) manufacturer:

Other Similar products are found below :

[60963](#) [60964](#) [703000D02F2002](#) [703001D02F0602](#) [703001D02F300](#) [704000D02F120](#) [773032K02F030](#) [802027107404-1](#) [802027213811-1](#)
[804001A09M150](#) [805001A09M0502](#) [84914-0235](#) [84914-0237](#) [885030A09M020](#) [8R4J30E03C3003](#) [1200651332](#) [1200651713](#) [1200660844](#)
[1200660845](#) [1200661173](#) [1200680071](#) [1200720053](#) [1200720081](#) [1200720099](#) [1200720217](#) [1200800231](#) [1200860125](#) [1200870123](#)
[1200980102](#) [1200650267](#) [1200650298](#) [1200660183](#) [1200660782](#) [1200660849](#) [1200661295](#) [1200661297](#) [1200661342](#) [1200661343](#)
[1200670080](#) [1200670220](#) [1200680331](#) [1200720252](#) [1200730184](#) [1200860344](#) [1200870359](#) [1200870643](#) [1200980008](#) [1200980031](#)
[1210502211](#) [1210400542](#)