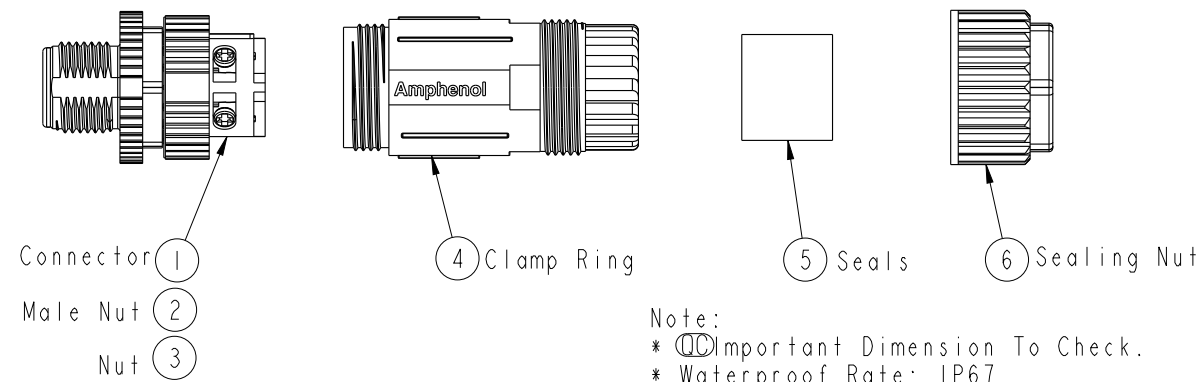
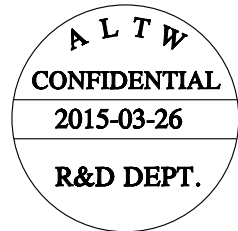
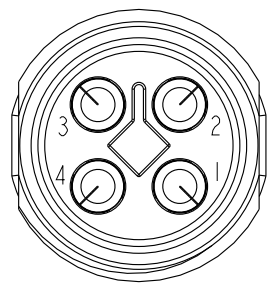


THIS DOCUMENT IS SUBJECT TO CHANGE WITHOUT NOTICE. IT IS CONFIDENTIAL AND A PROPERTY OF Amphenol LTW. DISCLOSURE TO THIRD PARTY HAS TO BE AUTHORIZED BY Amphenol LTW.

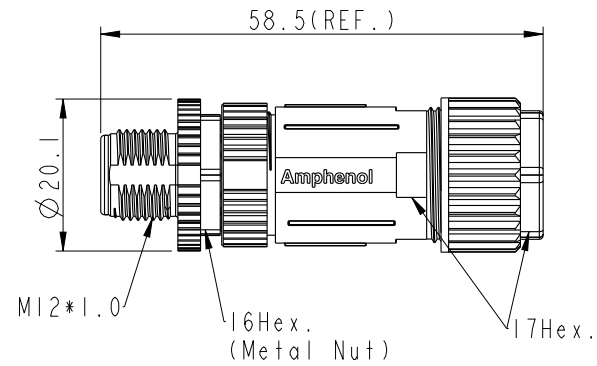
REV.	ECN NO.	DATE	SIGN	DESCRIPTION
A	Initial Release	2015-03-26	Cary	Change Rev. 01 to Rev.A



- Note:
- \*  $\varnothing$  Important Dimension To Check.
  - \* Waterproof Rate: IP67
  - \* Housing: Nylon, UL94V-0, Black
  - \* Male Pin: Copper Alloy, Gold Plated
  - \* Male Nut: Zinc Alloy, Nickel Plated
  - \* O-Ring: Silicone, UL94V-0, Gray
  - \* Clamp Ring: Nylon, UL94V-0, Black
  - \* Sealing Nut: PBT, Black
  - \* Seals: Silicone, UL94V-0, Gray
  - \* Rated Voltage: 60V DC.
  - \* Rated Current at 40°C: 12A
  - \* Operation Temperature: -40~105°C.
  - \* Seal For Cable Range OD:  $\varnothing 8.0\text{mm} \sim \varnothing 10.0\text{mm}$ , 16AWG
  - \* Screws for Wire connection recommended tightening torque: 0.61~0.84 kgf.cm / 0.059~0.082 N.m
  - \* Applicable Wire gauge (Stranded wire cross section) 0.52mm<sup>2</sup> (20AWG) ~ 1.31mm<sup>2</sup> (16AWG)
  - \* Mating Recommended tightening torque: 3~4 kgf.cm / 0.29~0.39 N.m
  - \* Sealing-Nut Recommended tightening torque: 4~6 kgf.cm / 0.39~0.59 N.m
  - \* Detailed applicable wire specifications may vary depending on the actual wire construction.



Pin Assignments  
Front View



UNIT:mm		
TOLERANCE		
.X	±0.25	
.XX	±0.1	
.XXX	±0.05	
ANGLES	±1°	

TITLE M12 T Code 4Pin M Conn. ASSY			
SCALE 1:1	SIZE A4	SHEET 1 OF 1	
REV. A	WC-REV. .0	$\varnothing$ : Inspection item	

**Amphenol LTW**  
安費諾亮泰企業股份有限公司

ITEM NO. M12T-04BMMB-SL7002	DRAWN BY Cary	DATE 2015-03-26
DWG NO. M12T-04BMMB-SL7002	CHECKED BY Lu Di	DATE 2015-03-26
CUSTOMER ALTW	APPROVED BY Jerry	DATE 2015-03-26

## X-ON Electronics

Largest Supplier of Electrical and Electronic Components

*Click to view similar products for [Sensor Cables / Actuator Cables](#) category:*

*Click to view products by [Amphenol](#) manufacturer:*

Other Similar products are found below :

[60963](#) [60964](#) [M83513/19-F01CP](#) [703000D02F2002](#) [703001D02F0602](#) [703001D02F300](#) [704000D02F120](#) [773032K02F030](#) [802027107404-1](#)  
[802027213811-1](#) [804001A09M150](#) [805001A09M0502](#) [84914-0235](#) [84914-0237](#) [885030A09M020](#) [8R4J30E03C3003](#) [1200651332](#)  
[1200651713](#) [1200660844](#) [1200660845](#) [1200661173](#) [1200680071](#) [1200720053](#) [1200720081](#) [1200720099](#) [1200720217](#) [1200800231](#)  
[1200860125](#) [1200870123](#) [1200980102](#) [1200650267](#) [1200650298](#) [1200660183](#) [1200660782](#) [1200660849](#) [1200661295](#) [1200661297](#)  
[1200661342](#) [1200661343](#) [1200670080](#) [1200670220](#) [1200680331](#) [1200720252](#) [1200730184](#) [1200860344](#) [1200870359](#) [1200870643](#)  
[1200980008](#) [1200980031](#) [1210502211](#)