

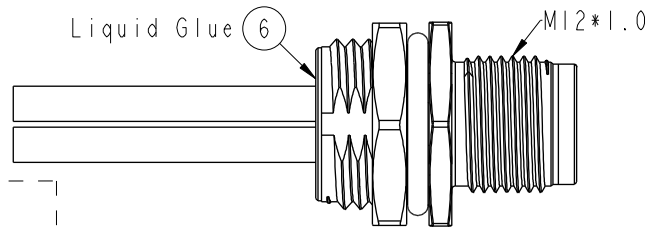
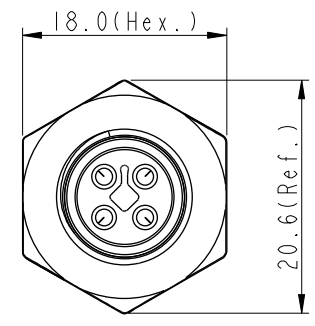
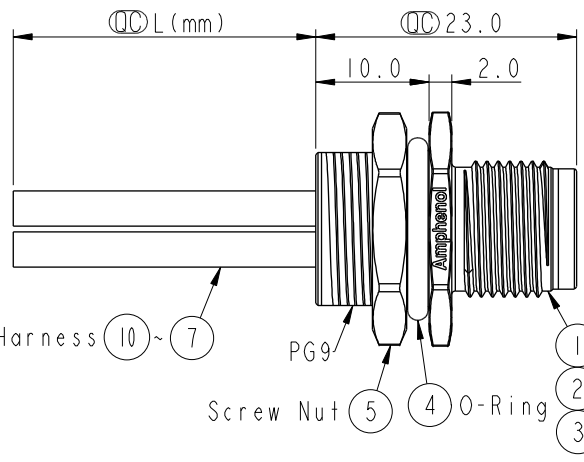
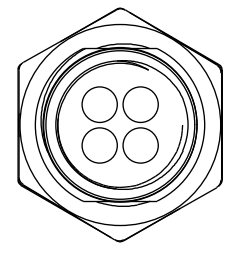
THIS DOCUMENT IS SUBJECT TO CHANGE WITHOUT NOTICE. IT IS CONFIDENTIAL AND A PROPERTY OF Amphenol LTW. DISCLOSURE TO THIRD PARTY HAS TO BE AUTHORIZED BY Amphenol LTW.

REV.	ECN NO.	DATE	SIGN	DESCRIPTION
A	Initial Release	2015/03/04	Cary	Change Rev. 01 to Rev.A
B	LE317A0021-0022	2017/10/15	Feng_Li	Update The Note
C	CI91643	2019/09/20	Vicky	Update Wire Tolerance

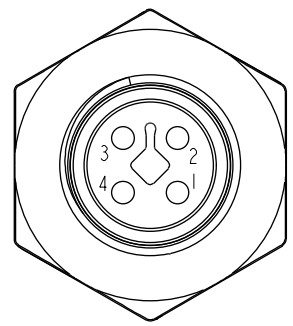
**ALTW**  
**CONFIDENTIAL**  
 2019-09-20  
**R&D DEPT.**

M12T-04PMMS-SH8BXX

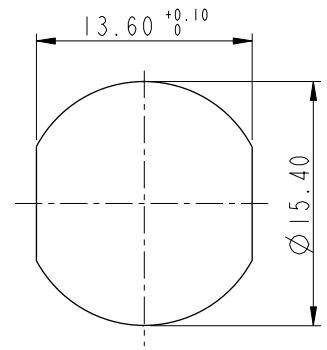
15: 150mm  
 20: 200mm  
 95: 950mm  
 Cable Pitch Unit: 50mm  
 A0: 1000mm  
 A5: 1500mm  
 Cable Pitch Unit: 100mm  
 Wire Length(L): 150~1500mm



- Note:
- \* Important Dimension.
  - \* Waterproof Rate: IP68.
  - IP68: 1M Depth Of Water In 24hours.
  - \* Housing: Nylon+GF, UL94V-0, Black.
  - \* Male Pin: Copper Alloy, Gold Plated.
  - \* Shield: Zinc Alloy, Nickel Plated.
  - \* Panel Nut: Zinc Alloy, Nickel Plated.
  - \* O-Ring: Viton, Black.
  - \* Wire Harness: UL1015 16AWG (1.5mm<sup>2</sup>).
  - \* Rated Voltage: 60V DC.
  - \* Rated Current at 40°C: 12A
  - \* Operation Temperature: -40~85°C.
  - \* For Panel Thickness Max 4.5mm.
  - \* Nut Torque: 4-6 Kgf.cm (0.4~0.6N.m).
  - \* Wire harness Tolerance: 150~300 ±15mm  
301~1000 ±20mm  
 Over 1000 +50/-0mm



Pin Assignment  
Front View



Recommended  
Panel Cut-Out

4	Black	黑
3	Blue	藍
2	White	白
1	Brown	棕
Conn.	Wire Color	Pin Out

UNIT: mm		
TOLERANCE	.X ±0.25	
	.XX ±0.1	
	.XXX ±0.05	
ANGLES	±1°	

TITLE M12 T-Code 4Pin Male Type			
SCALE 1:1	SIZE A4	SHEET 1 OF 1	
REV. C	WC-REV. A.2	Inspection item	

**Amphenol LTW**  
**安費諾亮泰企業股份有限公司**

ITEM NO	DRAWN BY Vicky	DATE 2019-09-20
DWG NO M12T-04PMMS-SH8BXX	CHECKED BY Rita	DATE 2019-09-20
CUSTOMER ALTW	APPROVED BY Max	DATE 2019-09-20

## X-ON Electronics

Largest Supplier of Electrical and Electronic Components

*Click to view similar products for [Sensor Cables / Actuator Cables](#) category:*

*Click to view products by [Amphenol](#) manufacturer:*

Other Similar products are found below :

[60963](#) [60964](#) [703000D02F2002](#) [703001D02F0602](#) [703001D02F300](#) [704000D02F120](#) [773032K02F030](#) [802027107404-1](#) [802027213811-1](#)  
[804001A09M150](#) [805001A09M0502](#) [84914-0235](#) [84914-0237](#) [885030A09M020](#) [8R4J30E03C3003](#) [1200651332](#) [1200651713](#) [1200660844](#)  
[1200660845](#) [1200661173](#) [1200680071](#) [1200720053](#) [1200720081](#) [1200720099](#) [1200720217](#) [1200800231](#) [1200860125](#) [1200870123](#)  
[1200980102](#) [1200650267](#) [1200650298](#) [1200660183](#) [1200660782](#) [1200660849](#) [1200661295](#) [1200661297](#) [1200661342](#) [1200661343](#)  
[1200670080](#) [1200670220](#) [1200680331](#) [1200720252](#) [1200730184](#) [1200860344](#) [1200870359](#) [1200870643](#) [1200980008](#) [1200980031](#)  
[1210502211](#) [1210400542](#)