



# M22520/2-01

## Miniature Adjustable Crimp Tool

Daniels Manufacturing Corporation

Crimpers / Crimping Tools CRIMP TOOL - ADJUSTABLE



### Product Description

Qualified to MIL-DTL-22520/2\* and AS22520/2\*, the DMC® AFM8® is designed for most of the miniature and sub-miniature connector types that are so widely used in electronic systems. The AFM8 meets the need for a miniature tool accommodating wire sizes 20 through 32 AWG.

The AFM8 gives a Mil-Standard 8 impression crimp, which assures maximum tensile strength. The cycle controlled precision ratchet assures consistently accurate crimps every time. The tool frame has a built-in 8 step selector knob for ease in dialing the correct crimp depth setting for the wire being used.

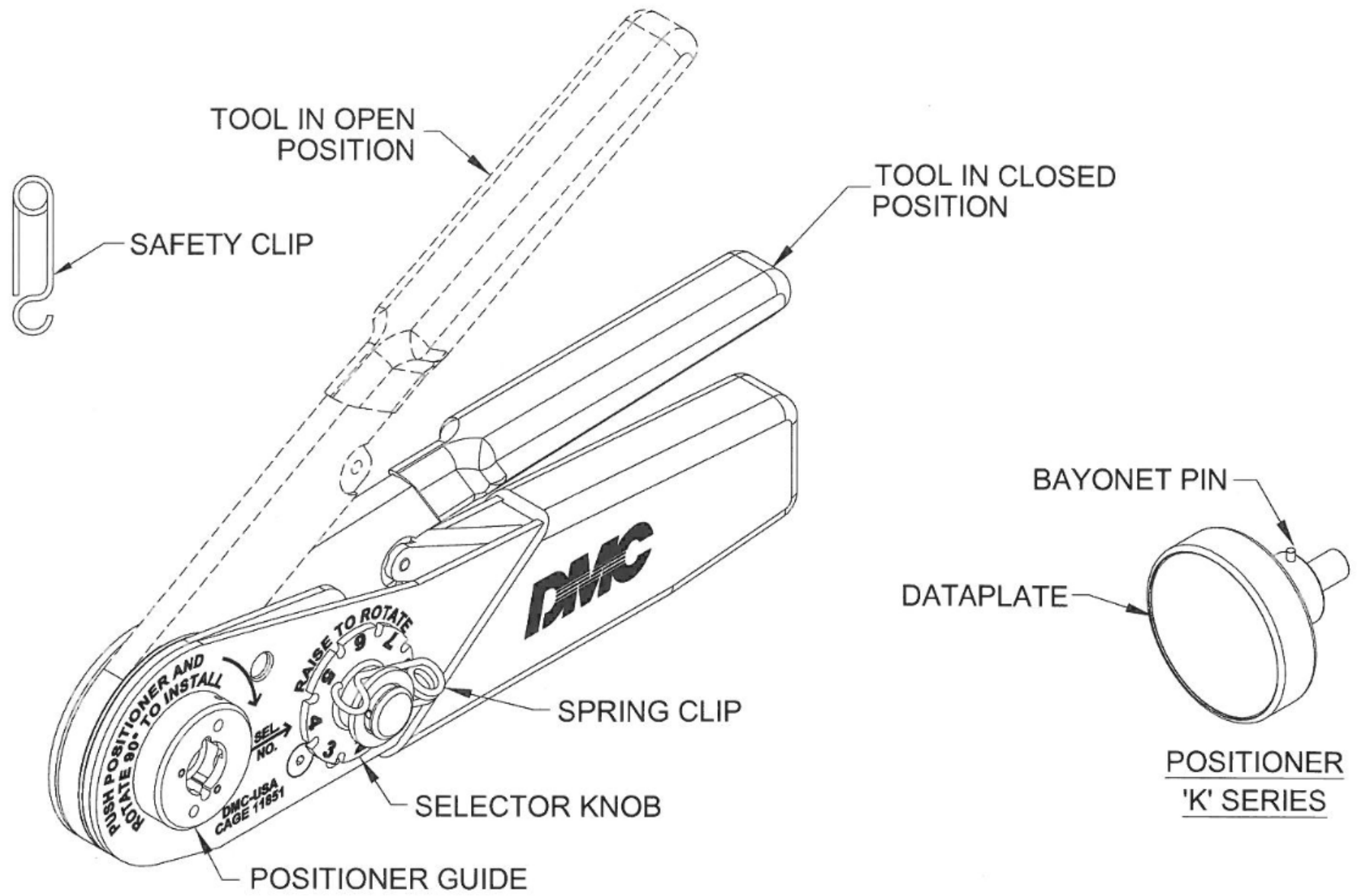
### Tech Specifications

Manufacturer	Daniels Manufacturing
Packaging	Each
Product Type	Crimpers
Wire Crimp Range	20 to 32 AWG
Crimp Type	Mil-Standard 8 impression crimp
Length	6-3/4 inches
Weight	10 oz

### Export and Environmental Classification

ECCN	EAR99
HTS	8538908140
TARIC	8203200000
RoHS Compliant	Call to Verify
RoHS Exemption Number	N/A
Lead(PB) in Terminals	No
REACH SVHC	No
REACH Substance Name	N/A

## Product Diagram



## Gaging Limits

SEL NO	INSPECTION GAGE	
	Ø GO ±.0001	Ø NO-GO ±.0001
1	.0130	.0180
2	.0160	.0210
3	.0190	.0240
4	.0220	.0270
5	.0260	.0310
6	.0300	.0350
7	.0340	.0390
8	.0390	.0440

## X-ON Electronics

Largest Supplier of Electrical and Electronic Components

*Click to view similar products for [Crimpers / Crimping Tools](#) category:*

*Click to view products by [Amphenol](#) manufacturer:*

Other Similar products are found below :

[010-0096](#) [M225201-06](#) [M225202-37](#) [6-1579015-5](#) [CT150-2-D02](#) [622-6441LF](#) [63484-3701](#) [63800-8355](#) [63819-1875](#) [63819-2875](#) [63819-4475](#) [63827-5375](#) [64001-4175](#) [64005-0175](#) [662903-2](#) [690602-6](#) [7-23471-1](#) [762637-1](#) [811242-5](#) [91362-1](#) [999-50-020083](#) [1-21002-3](#) [1-21002-7](#) [12118040](#) [12085270](#) [1-21113-6](#) [1-22548-4](#) [125442-1](#) [DCE.91.073.BVC](#) [DCE.91.090.3MVM](#) [DCE.91.130.5MVU](#) [DCE.91.202.BVCM](#) [1-354003-0](#) [1338301-1](#) [DF62/RE-MD](#) [142321](#) [AP105-DF11-2428S\(64\)](#) [1456088-1](#) [1-45804-6](#) [AX100749](#) [1-59619-7](#) [1596970-1](#) [1-59619-8](#) [1901238-2](#) [2119581-1](#) [2-1579016-2](#) [K761](#) [904139-1](#) [307130-2](#) [189765-1](#)