

# TECHNICAL SPECIFICATIONS

## M2000-QPL-Crimp Version

|               | Characteristics         | Standard                  | High Density              |
|---------------|-------------------------|---------------------------|---------------------------|
| Material      | Shell                   | Steel / Brass             | Steel / Brass             |
|               | Insulator               | Thermoset/Thermoplast     | Thermoset/Thermoplast     |
|               | Contact                 | Copper Alloy              | Copper Alloy              |
| Finish        | Shell                   | Cadmium, Nickel, Gold     | Cadmium, Nickel, Gold     |
|               | Contact                 | Gold Over Nickel          | Gold Over Nickel          |
| Electrical    | Contact Rating          | 7.5A Max                  | 7.5A Max                  |
|               | Test Voltage-Max        | 1000 Vrms                 | 1000 Vrms                 |
|               | Insulation Resistance   | > 5000 m Ohm              | > 5000 m Ohm              |
|               | Contact Resistance      | 7.3m Ohm                  | 7.3m Ohm                  |
| Mechanical    | Insertion/Removal Force | 5N Max                    | 5N Max                    |
|               | Durability              | 500 Cycles                | 500 Cycles                |
|               | Wire Gauge              | AWG 20 - 28               | AWG 22 - 28               |
| Environmental | Temperature             | - 55 Deg C to + 125 Deg C | - 55 Deg C to + 125 Deg C |
|               | Salt Spray              | 48 Hrs                    | 48 Hrs                    |
|               | Damp Heat               | 10 Days                   | 10 Days                   |

## ORDERING INFORMATION

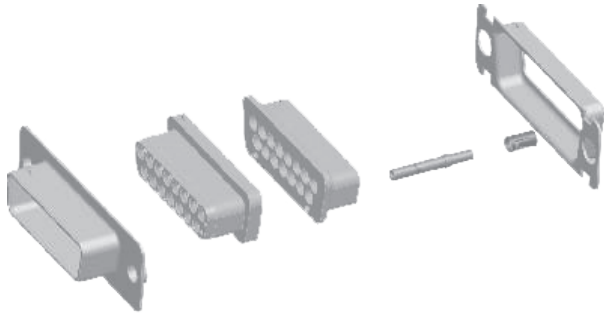
| A                  | M                           | 2000                               | /2             | XXX             |
|--------------------|-----------------------------|------------------------------------|----------------|-----------------|
| Manufacturers Logo | <b>Military Designation</b> | Specification Sheet Number (Class) | Connector Type | Connector Class |

### Connector Type

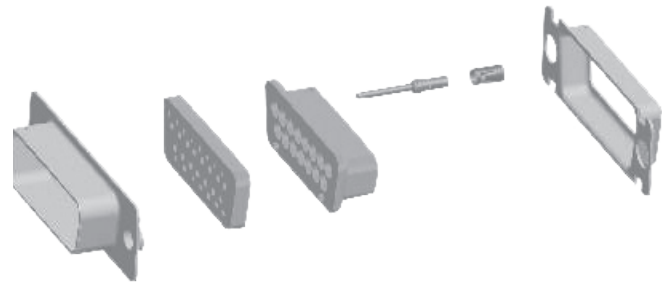
- 2: Receptacle Connector with Polarized Shell & Socket Crimp contact.
- 4: Plug Connector with Polarized Shell & Pin Crimp Contact.
- 6: Receptacle Connector with Polarized Shell with Socket Crimp Contact (Non-Magnetic)
- 8: Plug Connector with Polarized shell & Pin Crimp Contact (Non-Magnetic)

# ASSEMBLIES & ARRANGEMENTS

## Receptacle Assembly Exploded View

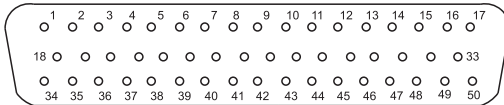
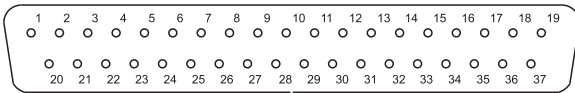
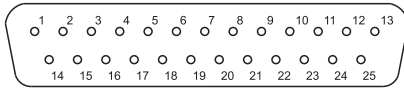
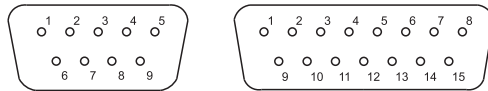


## Plug Assembly Exploded View

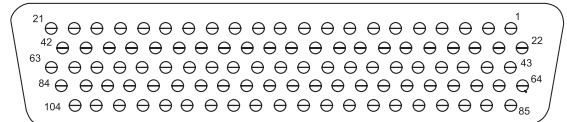
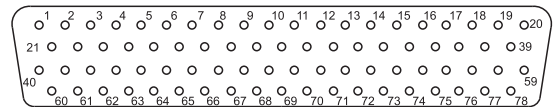
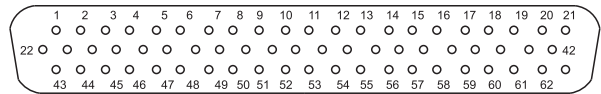
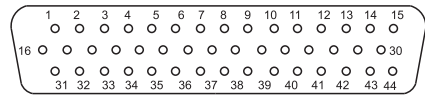
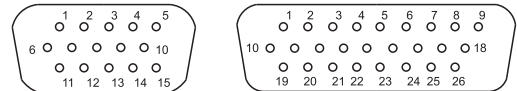


## Insert Arrangement for Standard D Sub Connectors

### Standard D Sub Connectors

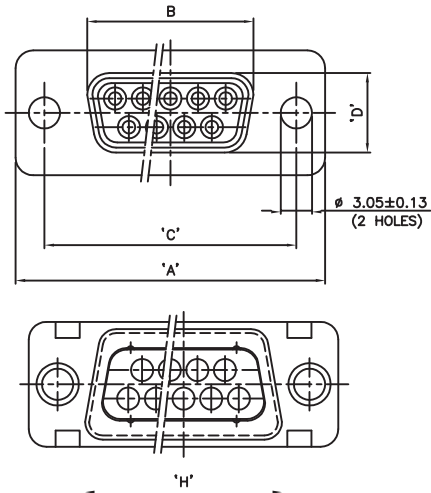


### High Density D Sub Connectors

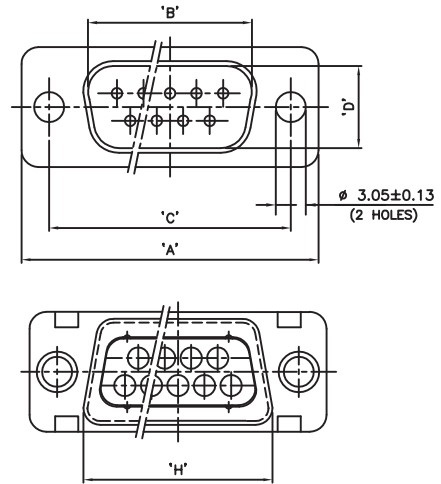


# POLARIZED SHELL & SOCKET CRIMP CONTACT

## Receptacle

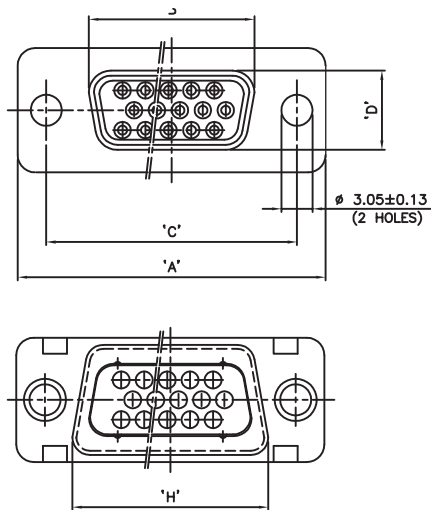


## Plug

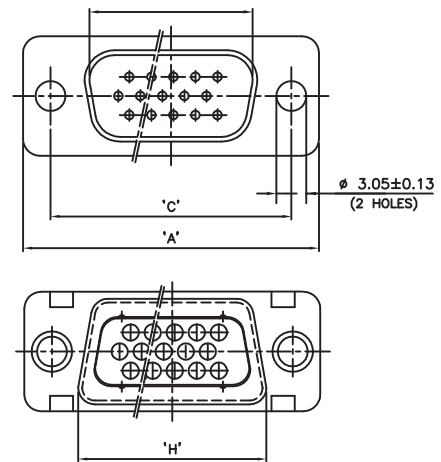


# POLARIZED SHELL & PIN CRIMP CONTACT-HIGH DENSITY

## Receptacle



## Plug



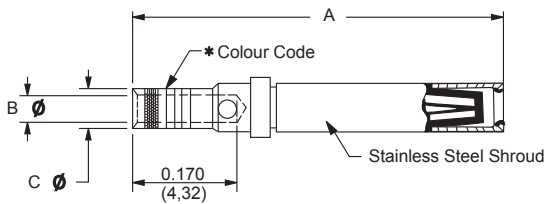
# CONTACT INFORMATION

## Standard D Sub

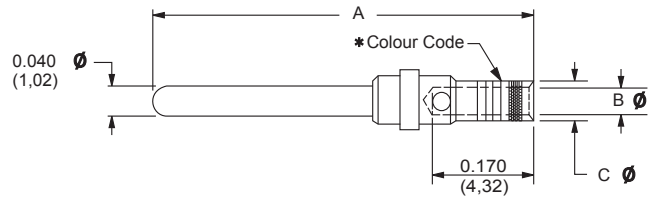
### Crimp Contacts-Closed crimp barrel

|            | Female  | Male  |
|------------|---|---|
| Material   | Copper Alloy  | Brass   |
| Plating    | Gold flash over nickel or 0.000050 inch (1,25) gold over copper for military specification contacts |   |
| Color Code | Orange / Blue / Grey for military specification contacts  | Orange / Blue / White for military specification contacts |

### Female Contact



### Male Contact

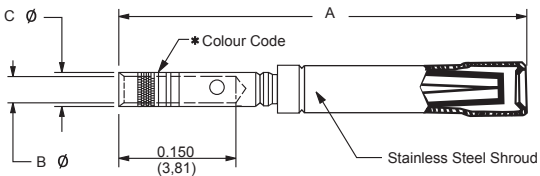


## High Density D-Sub

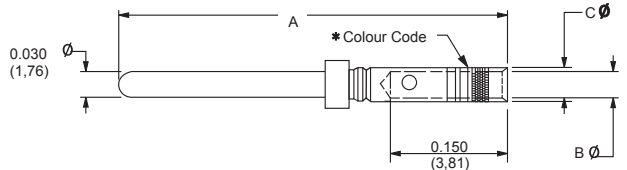
### Crimp Contacts-Closed crimp barrel

|            | Female  | Male  |
|------------|---|---|
| Material   | Copper Alloy  | Brass   |
| Plating    | Gold flash over nickel or 0.000050 inch (1,25) gold over copper for military specification contacts |   |
| Color Code | Orange/Green/Yellow for military specification contacts   | Orange / Blue / Black for military specification contacts |

### Female Contact



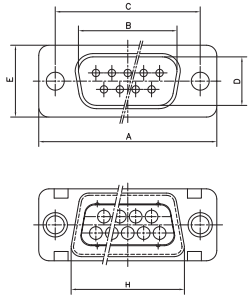
### Male Contact



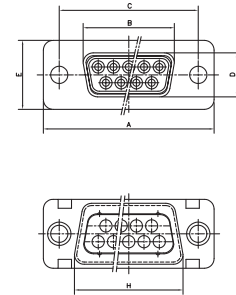
# SPECIAL PRODUCTS

## Solder Type Standard D-Sub Connector (Non Environmental)

**M2000 /3**  
Plug w/ Solder Contact

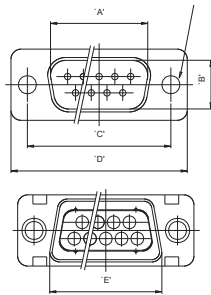


**M2000 /1**  
Receptacles w/ Solder Contact

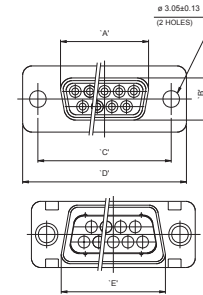


## Standard D Sub Grommet Type Connector (Crimp Type Contact)

**MM2000 /4**  
Plug w/ Pin Contact (w/ Grommet) - Rear Removable

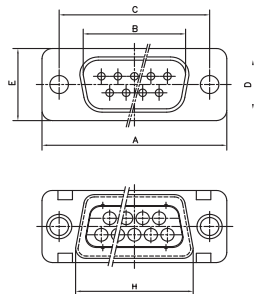


**M2000 /2**  
Receptacle w/ Socket Contact (w/ Grommet)-Rear Removable

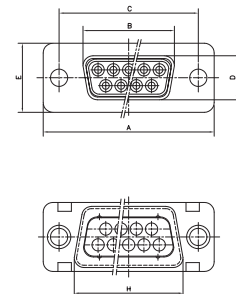


## D Sub Connector (Straight PC Tail Type)

**M2000 /24**  
Plug w/ Straight PC Tail Pin Contact

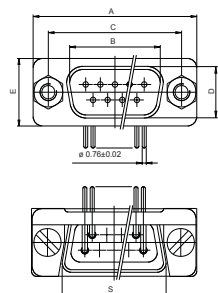


**M2000 /23**  
Receptacle w/ Straight PC Tail Socket Contact

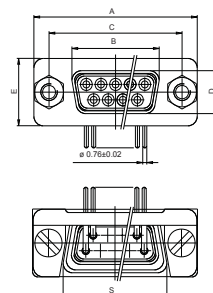


## Standard D Sub Connector (Right Angle PC Tail Contact)

**M2000 /24**  
Plug w/ Pin Contact, Right Angle PC Tail Contact



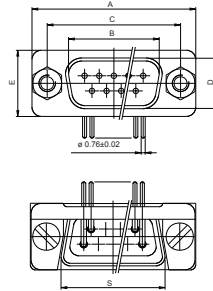
**M2000 /23**  
Receptacle w/ Socket Contact, Right Angle PC Tail Contact



## Standard D Sub Connector (Right Angle PC Tail Contact w/ Extra PC Tail Length)

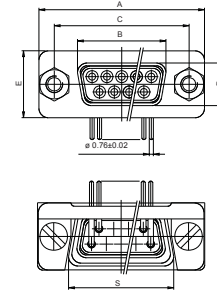
M2000 /24

Plug w/ Pin Contact, Right Angle PC Tail



M2000 /23

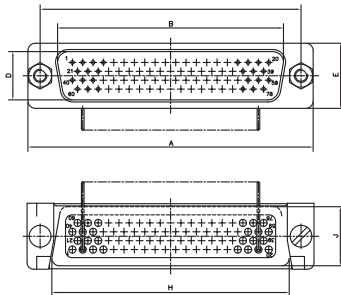
Receptacle w/ Socket Contact, Right Angle PC Tail



## High Density D Sub Connector (Right Angle PC Tail Contact)

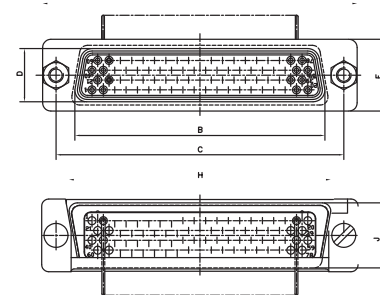
M2000 /24

Plug w/ Pin Contact



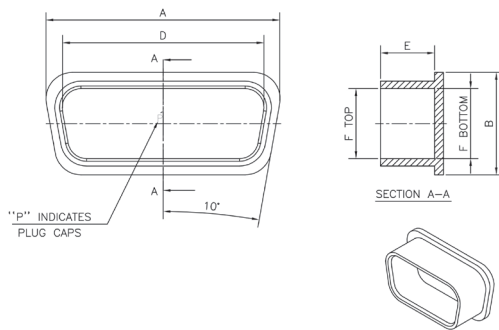
M2000 /23

Receptacles w/ Socket Contact

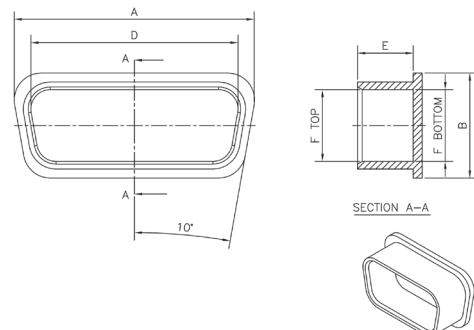


## Dust Cover

Plug



Plastic Dust Cap Receptacles



# AMPHENOL PCD PRODUCTS

---



BACKSHELLS



CABLE SOLUTIONS



CIRCULAR



GROUND BLOCKS



LUMINUS



MILITARY AUDIO/POWER



PEGASUS SERIES



RECTANGULAR



RUGGED SOLUTIONS



SIM



SOLARIS



SYSTEM ATTACHMENTS

## Amphenol Pcd

[www.amphenolpcd.com](http://www.amphenolpcd.com)



## X-ON Electronics

Largest Supplier of Electrical and Electronic Components

*Click to view similar products for [D-Sub MIL Spec Connectors](#) category:*

*Click to view products by [Amphenol](#) manufacturer:*

Other Similar products are found below :

[M24308/4-13Z](#) [M8351307-B](#) [D38999/24WE6SD](#) [D38999/24WG11PB-LC](#) [MDM-21SH003B-K139](#) [1218697-4](#) [MS27467T21F41S](#)  
[MS27468T21F11P](#) [MS27468T21F11S](#) [17D25HV](#) [1996840-1](#) [243082-15](#) [1663962-1](#) [1757682-1](#) [17D-E51218-1](#) [17SDA15S](#) [1883533-1](#)  
[1883886-1](#) [1883889-1](#) [192900-0377](#) [M24308/2-3Z](#) [M24308/4-3Z](#) [M24308/4-4F](#) [M24308/4-4Z](#) [M83513/03-E09C](#) [M83723/75W2212N L/C](#)  
[D38999/24FJ29PN-LC](#) [D38999/24WG11SB-LC](#) [5-1218949-1](#) [550-031NF1R6K](#) [550E001NF1R3J0L](#) [550T001NF1R6K0L](#) [C115368-1612B](#)  
[C115370-1717B](#) [DC121073157](#) [443869-3](#) [443869-4](#) [443869-5](#) [550S004NF1R1B0F03](#) [550-031NF1R2E](#) [550E003M2R9J0F04](#)  
[550E003M3R9J0F05](#) [550E024M104R9J0](#) [550E024NF102R3J0B](#) [550E039NF1R3J1-02](#) [550S003M3R9B0F05](#) [550S004M4R7M0F04](#)  
[550S004NF1R1B1F02](#) [550S086M5R3J0L](#) [550S100NF3F0E](#)