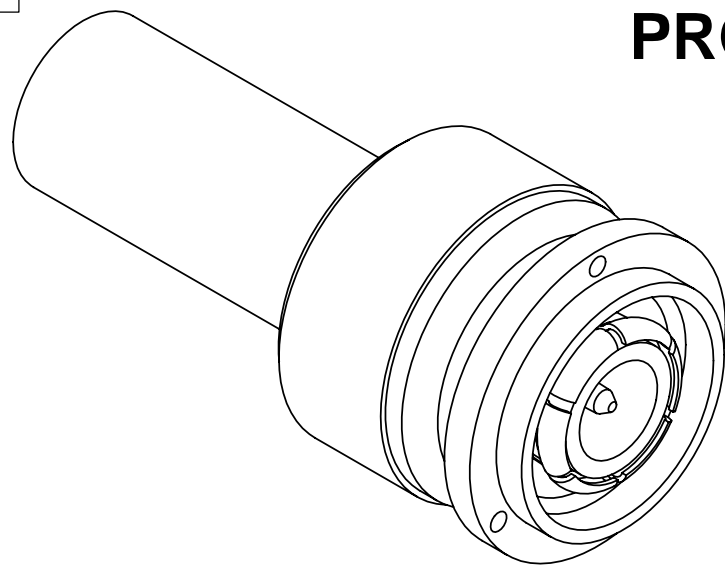


PRODUCT DATA DRAWING

REVISION HISTORY			
REV	DESCRIPTION	DATE	APPROVED
-	REL. DCN 35417	10/07	STW



MATERIAL:

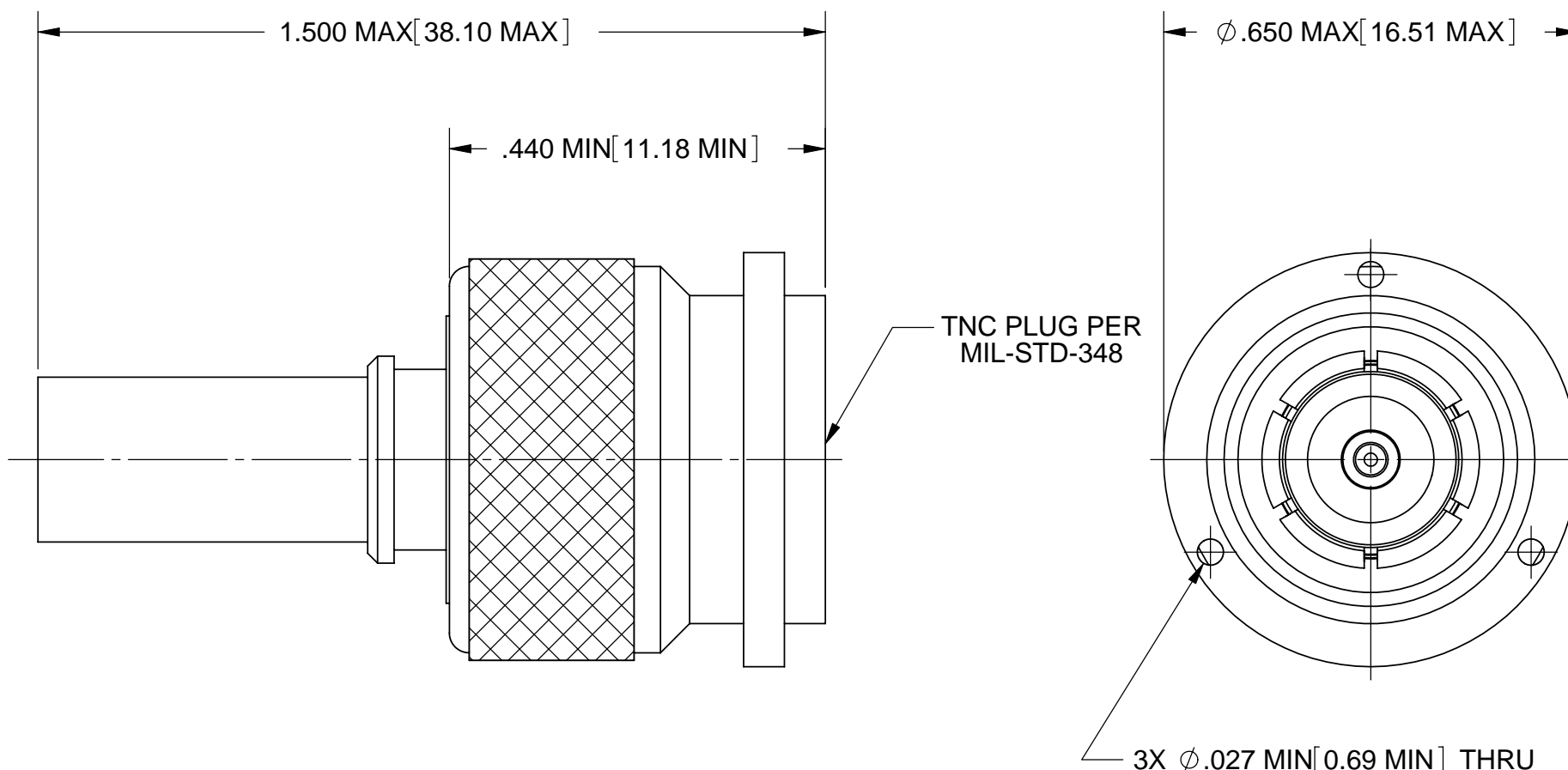
- BODY, CONTACT & COUPLING NUT: BRASS PER ASTM B16, ALLOY UNS No. C36000
- OUTER CONTACT: BERYLLIUM COPPER PER ASTM B194, ALLOY No. UNS C17200
- LOCK RING: PHOSPHOR BRONZE PER ASTM B159 ALLOY 51000
- INSULATOR: PTFE PER ASTM D1710, TYPE I, GRADE 1, CLASS B
- GASKET: SILICONE RUBBER PER A-A-59588, CLASS 2B, GRADE 50/60
- CRIMP SLEEVE: COPPER PER ASTM B301 ALLOY UNS C18700, H04
- SHRINK TUBING: SCL POLYOLEFIN PER MIL-DTL-23053/4-104-0

FINISH:

- BODY, OUTER CONTACT, COUPLING NUT & CRIMP SLEEVE: SILVER PER QQ-S-365 TYPE II, GRADE A, .00020" MIN.
- CONTACT: GOLD PER ASTM B488, TYPE II, CODE C, CLASS 1.27; OVER NICKEL PER AMS-QQ-N-290, CLASS 1, .00005" MIN.

PERFORMANCE:

- IMPEDANCE: 50 OHMS
- FREQ. RANGE: DC TO 11.0 GHZ
- VSWR: 1.30:1 DC TO 11.0 GHZ (OR APPROX. 80% OF THE CABLE CUTOFF FREQUENCY)
- INSERTION LOSS: .06 X SQRT(F(F IN GHZ))
- DWV: 1500 VRMS
- OPERATING TEMP.: -65°C TO +165°C
- ENGAGEMENT/DISENGAGEMENT: 2 IN-LBS



- NOTES:
1. HEAT SHRINK TUBING NOT SHOWN.

MATERIAL: SEE NOTES	DIMENSIONS ARE IN INCHES TOLERANCES: FRACTIONAL: ±1/64 ANGULAR: X° ±1'0" X"X' ±15'	UNLESS OTHERWISE SPECIFIED 1) ALL DIMENSIONS ARE IN INCHES (MILLIMETERS) 2) ALL DIMENSIONS ARE AFTER PLATING. 3) BREAK CORNERS & EDGES .005 R. MAX. 4) CHAM. 1ST & LAST THREADS. 5) SURFACE ROUGHNESS 63-MIL-STD-10. 6) DIA.'S ON COMMON CENTERS TO BE CONCENTRIC WITHIN .005 T.I.R. 7) REMOVE ALL BURRS	SV Microwave, Inc. 2400 Centrepark West Drive, Suite 100 West Palm Beach, FL 33409
FINISH: SEE NOTES	DECIMAL: .X ±.030 .XX ±.010 .XXX ±.005	INTERPRET DIMENSIONS AND TOLERANCES PER ASME Y14.5M - 1994	TITLE: TNC PLUG CRIMP FOR RG-303 CABLE
SURFACE AREA: N/A	THIRD ANGLE PROJECTION	DRAWN: ADK 10/02/07	SIZE: B CAGE CODE: 95077 DWG. NO.: M39012/26B0015
PROPRIETARY THE INFORMATION CONTAINED IN THIS DRAWING IS THE SOLE PROPERTY OF SV MICROWAVE, INC. ANY REPRODUCTION IN PART OR AS A WHOLE WITHOUT THE WRITTEN PERMISSION OF SV MICROWAVE, INC IS PROHIBITED.		CHECKED: STW 10/03/07	SCALE: 4:1
		APPROVED: STW 10/03/07	SHEET 1 OF 1

X-ON Electronics

Largest Supplier of Electrical and Electronic Components

Click to view similar products for [RF Mil Spec Connectors](#) category:

Click to view products by [Amphenol](#) manufacturer:

Other Similar products are found below :

[M55339/38-00001](#) [M39012/69-0004](#) [M39012/95-0001](#) [M39012/56B3112](#) [M3933/25-88N](#) [M39012/55-3125](#) [UG-23D/U\(40\)](#) [UG-306/U\(40\)](#)
[UG-492/U](#) [SMA6251A1-3GT50G-50B](#) [SMA1111A1-3GT50G-1-50](#) [M39012/28-0010](#) [M39012/55B3022](#) [M39012/26-0018](#) [M39012/26-0022](#)
[M39012/26-0101](#) [M39012/26-0225](#) [SMA1111A2-3GT50G-5-50](#) [SMA1112A5-3GT50G-5-50](#) [SMA1112A6-3GT50G-1-50](#) [M39012/79-3108](#)
[M39012/79B3001](#) [M39012/80-3107](#) [M39012/55-3030](#) [M39012/56-3126](#) [M55339/02-30001](#) [M55339/28-30001](#) [M55339/28-30002](#)
[M55339/29-30001](#) [M55339/31-30001](#) [SMA2071A1-3GT50G-50](#) [1102-0003](#) [M39012/26-0011](#) [M39012/26-0012](#) [M39012/26B0006](#)
[M39012/26B0015](#) [M39012/28-0022](#) [M39012/30-0101](#) [M39012/31-0002](#) [M39012/33-0001](#) [M39012/39-0501](#) [M39012/55-3006](#) [M39012/55-](#)
[3007](#) [M39012/55-3009](#) [M39012/55-3026](#) [M39012/79-3008](#) [M39012/80B3002](#) [M39012/55-3106](#) [M39012/30-0118](#) [M39012/55-3008](#)