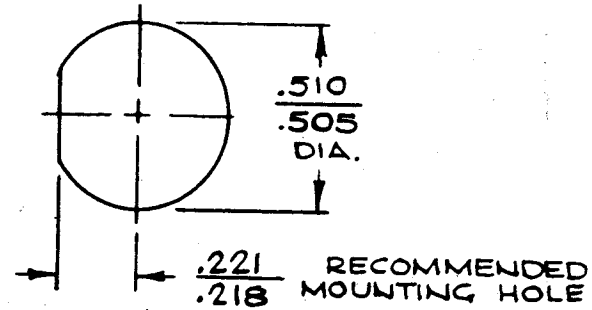
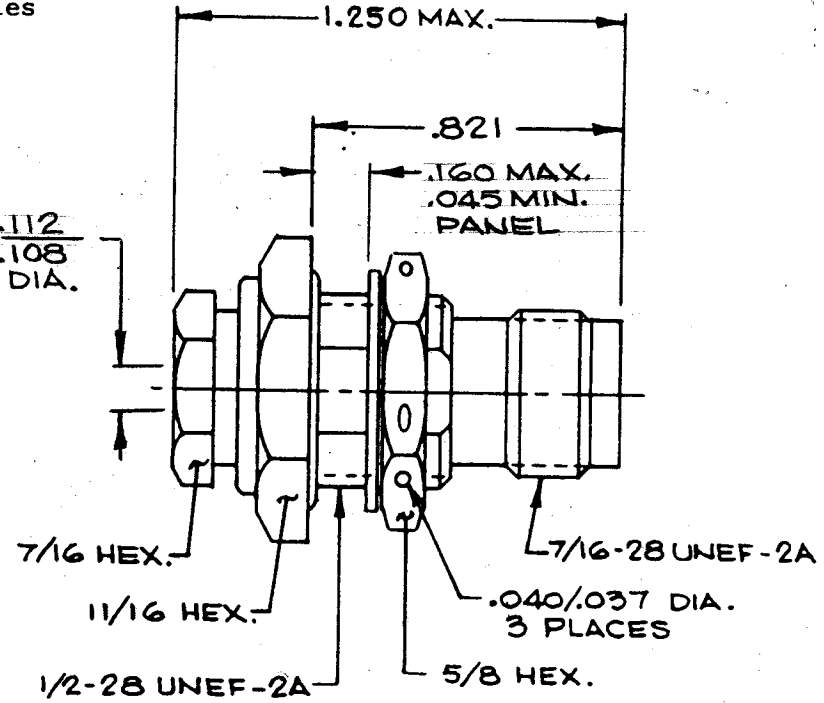


M39012/28-0018

NOTES:

1. MATING: Interface dimension per Mil-C-39012/TNC Series & Solitron/Microwave MD-108.
2. MATERIAL:  
 ALL METAL PARTS EXCEPT CONTACT AND LOCKWASHER..Brass per QQ-B-626, 1/4 Hard Alloy 360.  
 CONTACT.....Beryllium Copper per QQ-C-530, Cond. HT., Alloy 173.  
 LOCKWASHER.....Phosphor Bronze per ASTM-B-103, Alloy 52100.  
 INSULATOR.....Teflon per Mil-P-19468 & L-P-403, Type 1.  
 GASKET.....Silicone Rubber per ZZ-R-765, Class IIB, Grade 50 - 60.
3. FINISH:  
 ALL METAL PARTS EXCEPT CONTACT..Silver with Iridite per QQ-S-365, Type 2, Grade A.  
 CONTACT.....Gold per Mil-G-45204, Type 1 Grade C; over Copper per Mil-C-14550, Class 4.
4. CONNECTOR ACCOMMODATES: RG-174,179B,187A,188A,316/U CABLES.
5. CABLE ASSEMBLY INSTRUCTIONS PER: 300-80-487.



SYM	DESCRIPTION	DATE	APPR.	UNLESS OTHERWISE SPECIFIED 1. ALL DIMENSIONS ARE AFTER PLATING 2. BREAK ALL CORNERS & EDGES .005 R MAX. 3. CHAMFER 1ST & LAST THREADS 45° 4. SURFACE ROUGHNESS 63 ✓ MIL-STD-10 5. DIAMETERS ON COMMON CENTERS TO BE CONCENTRIC WITHIN T.I.R. 6. REMOVE ALL BURRS	<b>SOLITRON / MICROWAVE</b>		REF.
					PORT SALERNO, FLORIDA		
-	REL.DCN F-10270	3/86	D		MATERIAL		TITLE
					FINISH		TNC, JACK, BULKHEAD MOUNT CAPTIVATED CONTACT
					AREA		
					SCALE	CODE IDENT. NO.	DRAWING NO.
						95077	M39012/28-0018
						A	SHT. 1 of 2
					APPROVED	DATE	
					D	2-20-86	

**ENG. FILE COPY**

S/M DESIGN STANDARDS

DRAWING NO.  
M39012/28-0018

REQUIREMENTS	RATINGS
Nominal Impedance (ohms)	50
Frequency Range (ghz)	DC - 11.0
Voltage Rating (max. vrms)	500
Temperature Rating (degrees centigrade)	-65° to + 165°
VSWR (max.)	1.30 Max.
Insertion Loss (dB max.)	.06 $\times \sqrt{FGHz}$
RF Leakage (min. dB down)	60 dB-FGHz
RF High Potential (max. vrms)	1000 at 5MHz
Dielectric Withstanding Voltage (max. vrms)	1500
Insulation Resistance (min. megohms)	5000
Contact Resistance: Center Contact (max. milliohms) Outer Contact (max. milliohms)	1.5 0.2
Center Contact Axial Forces: Insertion (max. ounces) Withdrawal (min. ounces)	24.0 2.0
Connector Durability (min. cycles)	500
Connector Engagement & Disengagement (max. inch lbs.)	2.0

REQUIREMENTS	RATINGS
Vibration	MIL-STD-202 Method 204 Cond. D (20G's)
Shock	MIL-STD-202 Method 213 Cond. I (100G's)
Temperature Cycling	MIL-STD-202 Method 107 - Cond. B (-65°C to +200 ° C)
Corrosion	MIL-STD-202 Method 101 Cond. B (48 Hrs.)
Moisture Resistance	MIL-STD-202 Method 106 Less Step 7b
Barometric Pressure (Altitude)	MIL-STD-202 Method 105 - Cond. C (70,000 ft) (375 vrms)
CAPTIVATION: Center Contact Min. Axial Force	6 lbs.

REMARKS: 1) Recommended Mating Torque: 30 - 35 Inch Pounds.

TITLE: TNC, JACK BULKHEAD MOUNT,  
CAPTIVATED CONTACT.

**SOLITRON/MICROWAVE**  
PORT SALERNO, FLORIDA

SHT. 2 of 2

DRAWING NO.  
M39012/28-0018

REV.  
—

## X-ON Electronics

Largest Supplier of Electrical and Electronic Components

*Click to view similar products for [RF MIL Spec Connectors](#) category:*

*Click to view products by [Amphenol](#) manufacturer:*

Other Similar products are found below :

[M55339/38-00001](#) [M39012/69-0004](#) [M39012/95-0001](#) [M39012/56B3112](#) [M3933/25-88N](#) [M39012/55-3125](#) [UG-23D/U\(40\)](#) [UG-306/U\(40\)](#)  
[UG-492/U](#) [SMA6251A1-3GT50G-50B](#) [SMA1111A1-3GT50G-1-50](#) [M39012/28-0010](#) [M39012/55B3022](#) [M39012/26-0018](#) [M39012/26-0022](#)  
[M39012/26-0101](#) [M39012/26-0225](#) [SMA1111A2-3GT50G-5-50](#) [SMA1112A5-3GT50G-5-50](#) [SMA1112A6-3GT50G-1-50](#) [M39012/79-3108](#)  
[M39012/79B3001](#) [M39012/80-3107](#) [M39012/55-3030](#) [M39012/56-3126](#) [M55339/02-30001](#) [M55339/28-30001](#) [M55339/28-30002](#)  
[M55339/29-30001](#) [M55339/31-30001](#) [SMA2071A1-3GT50G-50](#) [1102-0003](#) [M39012/26-0011](#) [M39012/26-0012](#) [M39012/26B0006](#)  
[M39012/26B0015](#) [M39012/28-0022](#) [M39012/30-0101](#) [M39012/31-0002](#) [M39012/33-0001](#) [M39012/39-0501](#) [M39012/55-3006](#) [M39012/55-](#)  
[3007](#) [M39012/55-3009](#) [M39012/55-3026](#) [M39012/79-3008](#) [M39012/80B3002](#) [M39012/55-3106](#) [M39012/30-0118](#) [M39012/55-3008](#)