

PRODUCT DATA DRAWING

REVISION HISTORY			
REV	DESCRIPTION	DATE	APPROVED
-	DCN 38089	03/11	PJS

MATERIAL:

BODY, CLAMP NUT,
CABLE CONTACT,
FERRULE &
COUPLING NUT:

BRASS PER ASTM B16, ALLOY UNS No. C36000

CONNECTOR
CENTER CONTACT:

BERYLLIUM COPPER PER ASTM B196,
ALLOY No. UNS C17300, TD04

CONNECTOR
OUTER CONTACT:

BERYLLIUM COPPER PER ASTM B194,
ALLOY UNS C17200

INSULATORS:

PTFE PER ASTM D1710, TYPE I, GRADE 1, CLASS B

GASKETS
& O-RING:

SILICONE RUBBER PER A-A-59588, CLASS 2B

LOCK RING:

PHOSPHOR BRONZE PER ASTM-B 159
ALLOY 51000, TEMPER H08

CRIMP RING:

COPPER PER ASTM B 301, ALLOY UNS C18700, H04

FINISH:

BODY, CLAMP NUT,
CONNECTOR
OUTER CONTACT,
CRIMP RING,
FERRULE &
COUPLING NUT:

SILVER PER QQ-S-365, TYPE II, GRADE A

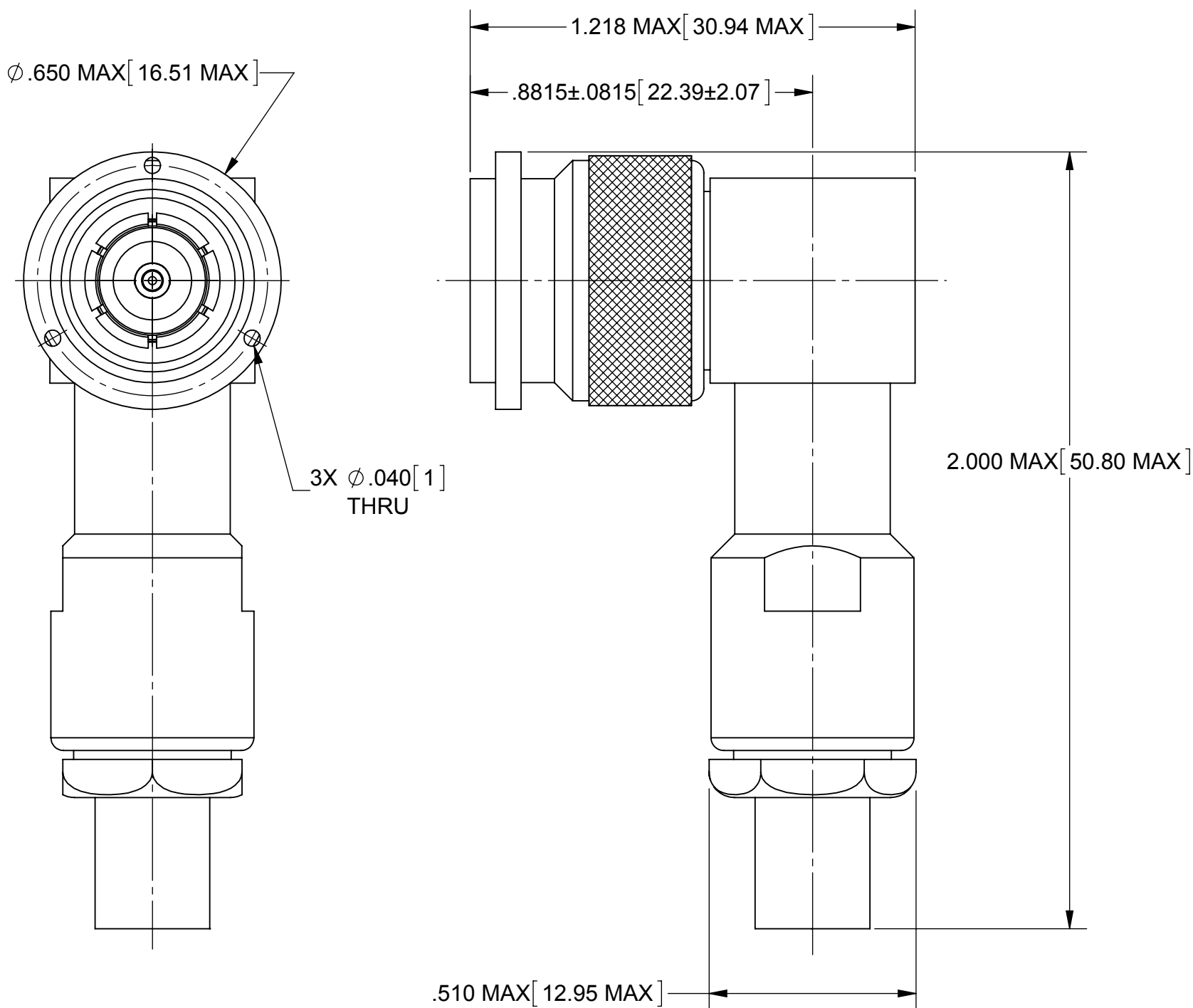
CABLE CONTACT &
CONNECTOR
CENTER CONTACT:

GOLD PER ASTM B488, TYPE II,
CODE C, CLASS 1.27, OVER NICKEL
PER AMS-QQ-N-290, CLASS 1, .00005" MIN.

PERFORMANCE:

IMPEDANCE:
FREQ. RANGE:
VSWR:
OPERATING TEMP.:

50 OHMS
DC TO 11.0 GHz
1.30:1 MAX. DC TO 11.0 GHz
-65 °C TO +165 °C



MATERIAL: SEE NOTES	DIMENSIONS ARE IN INCHES TOLERANCES: FRACTIONAL: ±1/64 ANGULAR: X° ±1'0" X°X' ±15'	UNLESS OTHERWISE SPECIFIED 1) ALL DIMENSIONS ARE IN INCHES (MILLIMETERS) 2) ALL DIMENSIONS ARE AFTER PLATING. 3) BREAK CORNERS & EDGES .005 R. MAX. 4) CHAM. 1ST & LAST THREADS. 5) SURFACE ROUGHNESS 63-MIL-STD-10. 6) DIA.'S ON COMMON CENTERS TO BE CONCENTRIC WITHIN .005 T.I.R. 7) REMOVE ALL BURRS	SV Microwave, Inc. 2400 Centrepark West Drive, Suite 100 West Palm Beach, FL 33409
FINISH: SEE NOTES	DECIMAL: .X ±.030 .XX ±.010 .XXX ±.005	INTERPRET DIMENSIONS AND TOLERANCES PER ASME Y14.5M - 1994	TITLE: TNC R/A PLUG CRIMP CLAMP FOR RG-142 & 400/U CABLES
SURFACE AREA: N/A	THIRD ANGLE PROJECTION	DRAWN: FED 03/16/11	SIZE: B CAGE CODE: 95077 DWG. NO. M39012/30B0006
PROPRIETARY THE INFORMATION CONTAINED IN THIS DRAWING IS THE SOLE PROPERTY OF SV MICROWAVE, INC. ANY REPRODUCTION IN PART OR AS A WHOLE WITHOUT THE WRITTEN PERMISSION OF SV MICROWAVE, INC IS PROHIBITED.		CHECKED: PJS 03/16/11	SCALE: 3:1
		APPROVED: PJS 03/16/11	SHEET 1 OF 1

X-ON Electronics

Largest Supplier of Electrical and Electronic Components

Click to view similar products for [RF MIL Spec Connectors](#) category:

Click to view products by [Amphenol](#) manufacturer:

Other Similar products are found below :

[M39012/61-3001](#) [GTS01-16-10S-116](#) [CTVP00RW-25-35S\(506\)](#) [93-150752-06S](#) [SMA6251A1-3GT50G-50B](#) [UG-89/U\(40\)](#) [M39012/27-0018](#)
[M39012/27-0101](#) [M39012/01-0005](#) [SMA1111A1-3GT50G-1-50](#) [625-MAGNET](#) [M39012/28-0010](#) [M39012/55B3022](#) [M39012/26-0018](#)
[M39012/26-0022](#) [M39012/26-0225](#) [M55339/47-30001](#) [SMA1111A2-3GT50G-5-50](#) [SMA1112A5-3GT50G-5-50](#) [SMA1112A6-3GT50G-1-50](#)
[M39012/79-3108](#) [M39012/79B3001](#) [M39012/80-3107](#) [M39012/55-3030](#) [M39012/56-3126](#) [M55339/02-30001](#) [M55339/28-30001](#)
[M55339/28-30002](#) [M55339/29-30001](#) [M55339/31-30001](#) [UG-29A/U](#) [SMA2071A1-3GT50G-50](#) [1102-0003](#) [M39012/16-0101](#) [M39012/26-0011](#) [M39012/26-0012](#) [M39012/26B0006](#) [M39012/26B0015](#) [M39012/28-0022](#) [M39012/30-0101](#) [M39012/31-0001](#) [M39012/33-0001](#)
[M39012/39-0501](#) [M39012/55-3006](#) [M39012/55-3007](#) [M39012/55-3009](#) [M39012/55-3026](#) [M39012/55-3028](#) [M39012/55-3109](#) [M39012/55-3125](#)