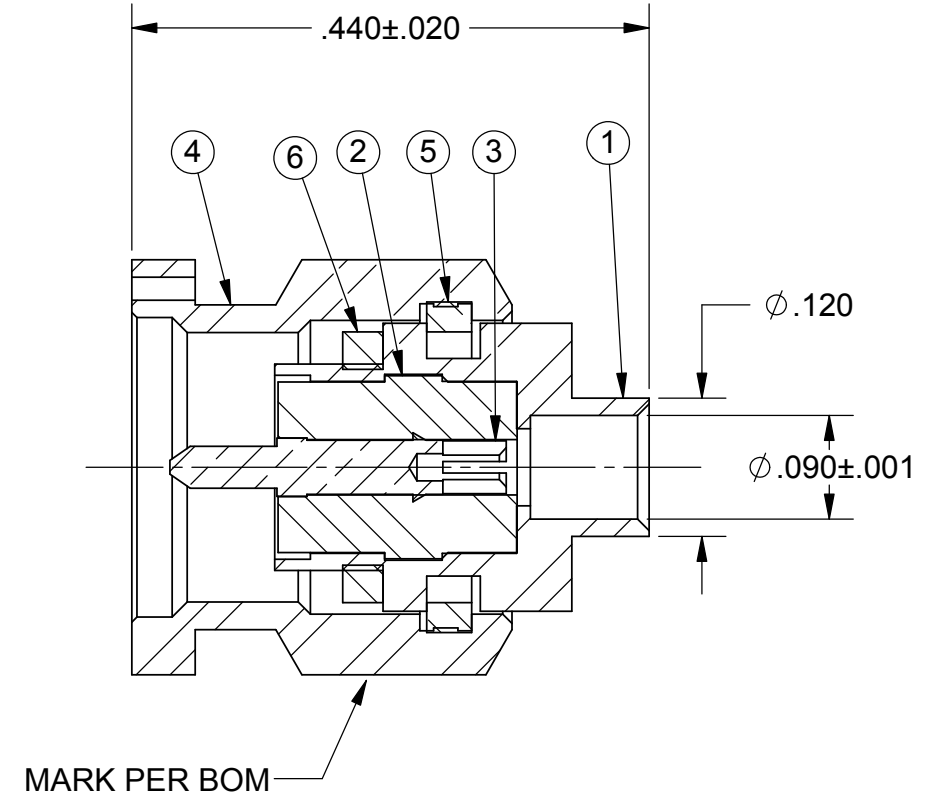
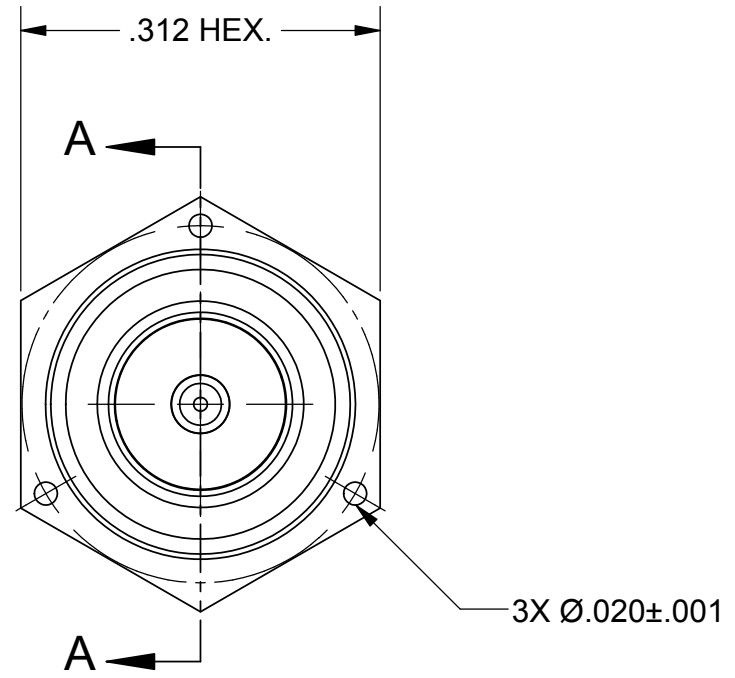


REVISION HISTORY			
REV	DESCRIPTION	DATE	APPROVED
A	DCN 40178	11/13	STW
B	DCN 42325	05/16	STW



SECTION A-A
SCALE 6 : 1

NOTES:
1. MATING END DIMENSIONS PER MD-107.

MATERIAL: PER BOM	DIMENSIONS ARE IN INCHES TOLERANCES: FRACTIONAL: ±1/64 ANGULAR: X° ±1°0' X'X' ±15'	UNLESS OTHERWISE SPECIFIED 1) ALL DIMENSIONS ARE AFTER PLATING. 2) BREAK CORNERS & EDGES .005 R. MAX. 3) CHAM. 1ST & LAST THREADS. 4) SURFACE ROUGHNESS 63 √ MIL-STD-10. 5) DIA.'S ON COMMON CENTERS TO BE CONCENTRIC WITHIN .005 T.I.R. 6) REMOVE ALL BURRS	SV Microwave, Inc. 2400 Centrepark West Drive, Suite 100 West Palm Beach, FL 33409
FINISH: PER BOM	DECIMAL: X ±.030 .XX ±.010 .XXX ±.005	INTERPRET DIMENSIONS AND TOLERANCES PER ASME Y14.5M - 1994	TITLE: SMA PLUG SOLDER ON FOR Ø.085 SEMI RIGID CABLE
PROPRIETARY THE INFORMATION CONTAINED IN THIS DRAWING IS THE SOLE PROPERTY OF SV MICROWAVE, INC. ANY REPRODUCTION IN PART OR AS A WHOLE WITHOUT THE WRITTEN PERMISSION OF SV MICROWAVE, INC IS PROHIBITED.	THIRD ANGLE PROJECTION 	DRAWN: MEB 07/28/03 CHECKED: STW 07/28/03 APPROVED: STW 07/28/03 E.M. SIMULATION: N/A	SIZE: B CAGE CODE: 95077 DWG. NO.: M39012/79-3011
			SCALE: 4:1 SHEET 1 OF 2

X-ON Electronics

Largest Supplier of Electrical and Electronic Components

Click to view similar products for [RF MIL Spec Connectors](#) category:

Click to view products by [Amphenol](#) manufacturer:

Other Similar products are found below :

[M39012/61-3001](#) [GTS01-16-10S-116](#) [CTVP00RW-25-35S\(506\)](#) [93-150752-06S](#) [SMA6251A1-3GT50G-50B](#) [UG-89/U\(40\)](#) [M39012/27-0018](#)
[M39012/27-0101](#) [M39012/01-0005](#) [SMA1111A1-3GT50G-1-50](#) [625-MAGNET](#) [M39012/28-0010](#) [M39012/55B3022](#) [M39012/26-0018](#)
[M39012/26-0022](#) [M39012/26-0225](#) [M55339/47-30001](#) [SMA1111A2-3GT50G-5-50](#) [SMA1112A5-3GT50G-5-50](#) [SMA1112A6-3GT50G-1-50](#)
[M39012/79-3108](#) [M39012/79B3001](#) [M39012/80-3107](#) [M39012/55-3030](#) [M39012/56-3126](#) [M55339/02-30001](#) [M55339/28-30001](#)
[M55339/28-30002](#) [M55339/29-30001](#) [M55339/31-30001](#) [UG-29A/U](#) [SMA2071A1-3GT50G-50](#) [1102-0003](#) [M39012/16-0101](#) [M39012/26-0011](#) [M39012/26-0012](#) [M39012/26B0006](#) [M39012/26B0015](#) [M39012/28-0022](#) [M39012/30-0101](#) [M39012/31-0001](#) [M39012/31-0002](#)
[M39012/33-0001](#) [M39012/39-0501](#) [M39012/55-3006](#) [M39012/55-3007](#) [M39012/55-3009](#) [M39012/55-3026](#) [M39012/55-3028](#) [M39012/55-3109](#)