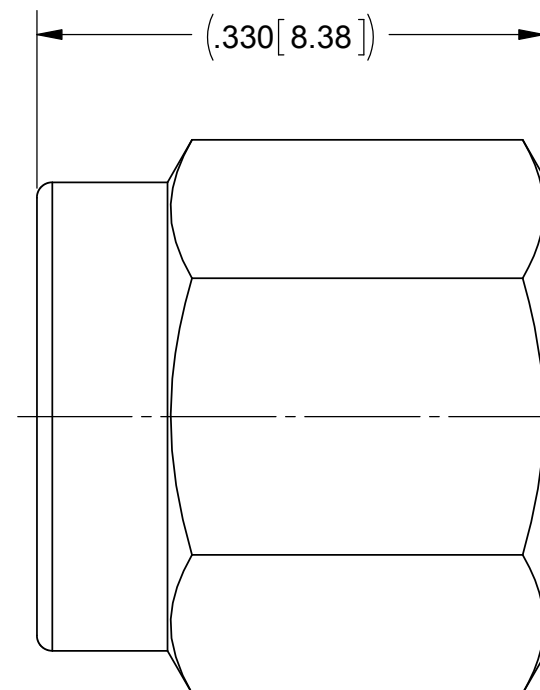
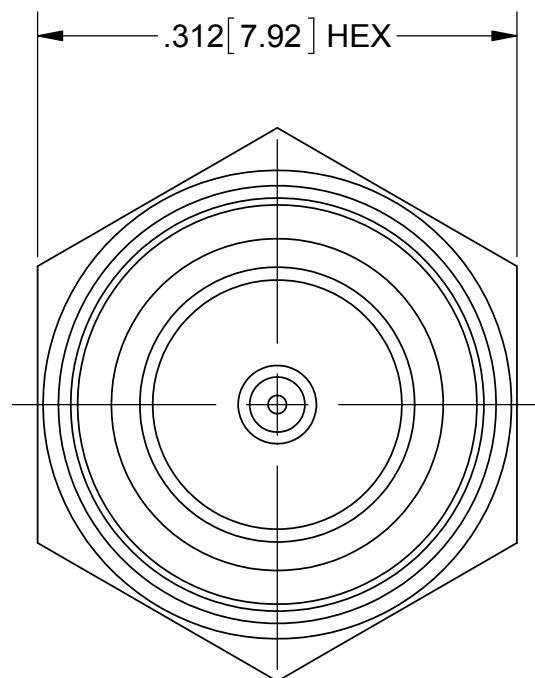


PRODUCT DATA DRAWING

REVISION HISTORY			
REV	DESCRIPTION	DATE	APPROVED
-	DCN 40120	10/13	STW



MATERIAL:

BODY & COUPLING NUT:

STAINLESS STEEL PER AMS-5640, ALLOY UNS S30300, TYPE 1

LOCK RING & CONTACT:

BERYLLIUM COPPER PER ASTM B196, ALLOY No. UNS C17300, TD04

INSULATOR:

PTFE PER ASTM D1710, TYPE I, GRADE 1, CLASS B

GASKET:

SILICONE RUBBER PER A-A-59588, CLASS 2B, GRADE 50/60

ROD RESISTOR:

ALUMINA

FINISH:

BODY, COUPLING NUT & CONTACT:

GOLD PER ASTM B488, TYPE II, CODE C, CLASS 1.27, OVER NICKEL PER AMS-QQ-N-290, CLASS 1, .00005" MIN.

PERFORMANCE:

IMPEDANCE:
FREQ. RANGE:
VSWR:

50 OHMS
DC TO 10.0 GHz
1.10:1 DC TO 10.0 GHz

MATERIAL: SEE NOTES	DIMENSIONS ARE IN INCHES TOLERANCES: FRACTIONAL: ±1/64 ANGULAR: X° ±1°0' X'X' ±15'	UNLESS OTHERWISE SPECIFIED 1) ALL DIMENSIONS ARE IN INCHES (MILLIMETERS) 2) ALL DIMENSIONS ARE AFTER PLATING. 3) BREAK CORNERS & EDGES .005 R. MAX. 4) CHAM. 1ST & LAST THREADS. 5) SURFACE ROUGHNESS 63-MIL-STD-10. 6) DIA.'S ON COMMON CENTERS TO BE CONCENTRIC WITHIN .005 T.I.R. 7) REMOVE ALL BURRS	SV Microwave, Inc. 2400 Centrepark West Drive, Suite 100 West Palm Beach, FL 33409
FINISH: SEE NOTES	DECIMAL: X ±.030 .XX ±.010 .XXX ±.005	INTERPRET DIMENSIONS AND TOLERANCES PER ASME Y14.5M - 1994	TITLE: SMA PLUG TERMINATION 1 WATT
SURFACE AREA: N/A	PROPRIETARY THE INFORMATION CONTAINED IN THIS DRAWING IS THE SOLE PROPERTY OF SV MICROWAVE, INC. ANY REPRODUCTION IN PART OR AS A WHOLE WITHOUT THE WRITTEN PERMISSION OF SV MICROWAVE, INC IS PROHIBITED.	THIRD ANGLE PROJECTION 	SIZE: B CAGE CODE: 95077 DWG. NO. M39030/3-09
		DRAWN: FSG 10/09/13 CHECKED: STW 10/09/13 APPROVED: STW 10/09/13	SCALE: 8:1 SHEET 1 OF 1

X-ON Electronics

Largest Supplier of Electrical and Electronic Components

Click to view similar products for [RF Terminators](#) category:

Click to view products by [Amphenol](#) manufacturer:

Other Similar products are found below :

[R404105000](#) [M39030/3-03N](#) [TNG1-9-78-D3](#) [TNA2-50](#) [TNH1-1-50](#) [R404518000](#) [53S1RR-001N3](#) [142275](#) [65_BNC-50-0-7/133_NE](#)
[R404240120](#) [R404260000](#) [HT-10-2](#) [M39030/3-04N](#) [M39030/3-11S](#) [TNA1-6-50](#) [131-3801-811](#) [TNA1-1-50](#) [R404101000](#) [1-221629-6](#) [TRM-](#)
[2048-M0-BNC-10](#) [SF8015-6007](#) [65010_N-50-1/199_NE](#) [SF8016-6404](#) [6550.17.AA](#) [65_N-50-0-51/113_NE](#) [65_BNC-50-0-2/133_NE](#)
[65_BNC-75-0-1/133_NE](#) [65_QMA-50-0-4/111_NE](#) [65_N-50-0-1/133_NE](#) [65_MMCX-50-0-31/111_OE](#) [65_BNC-50-0-6/113_NE](#) [18K15R-](#)
[0.5E3](#) [2702702](#) [53S17R-001N3](#) [1100.19.0001](#) [6701.01.B](#) [18S24H-40ML5](#) [R404759000](#) [TRM-2080-M0-NNN-07](#) [TRM-2053-MC-NNN-02](#)
[M39030/3-03S](#) [6701.01.A](#) [65_MCX-50-0-4/111_NE](#) [65_716-50-0-2/003_-E](#) [6701.17.A](#) [M39030/3-12N](#) [M39030/5-06N](#) [82-5722-RFX](#) [27-](#)
[9662](#) [8018-6174](#)