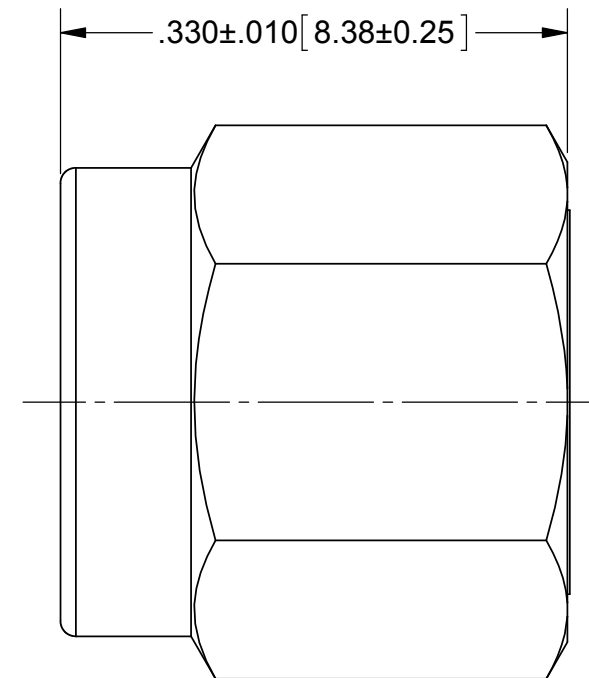
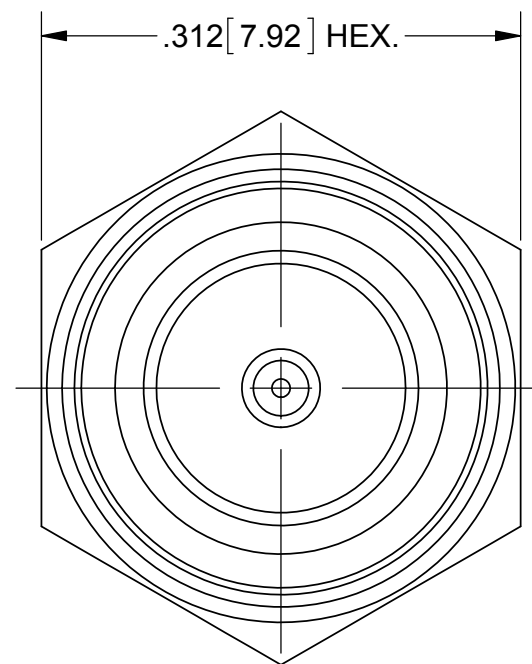
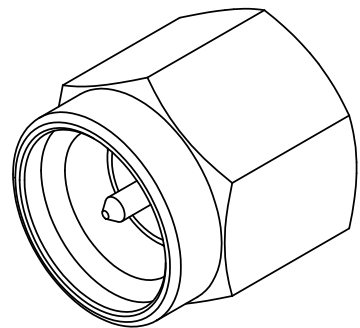


# PRODUCT DATA DRAWING

REVISION HISTORY			
REV	DESCRIPTION	DATE	APPROVED
A	DCN 41827	11/15	DAL



**MATERIAL:**

BODY & COUPLING NUT:

STAINLESS STEEL PER AMS-5640, ALLOY UNS S30300, TYPE 1

LOCK RING & CONTACT:

BERYLLIUM COPPER PER ASTM B196, ALLOY No. UNS C17300, TD04

INSULATOR:

PTFE PER ASTM D1710, TYPE I, GRADE 1, CLASS B

GASKET:

SILICONE RUBBER PER A-A-59588, CLASS 2B, GRADE 60/70

RESISTOR ELEMENT:

ALUMINA SUBSTRATE WITH NICHROME RESISTOR

**FINISH:**

BODY:

GOLD PER ASTM B488, TYPE I, CODE C, CLASS 1.27, OVER NICKEL PER AMS-QQ-N-290, CLASS 1, .00005" MIN.

CONTACT:

GOLD PER ASTM B488, TYPE II, CODE C, CLASS 1.27, OVER NICKEL PER AMS-QQ-N-290, CLASS 1, .00005" MIN.

COUPLING NUT:

GOLD PER MIL-DTL-45204, TYPE I, GRADE C, CLASS 1.27, OVER NICKEL PER SAE-AMS-2404, CLASS 1, .00005" MIN.

**PERFORMANCE:**

IMPEDANCE:  
FREQ. RANGE:

50 OHMS  
DC TO 18.0 GHz.

MATERIAL: SEE NOTES	DIMENSIONS ARE IN INCHES TOLERANCES: FRACTIONAL: ±1/64 ANGULAR: X° ±1'0" X'X' ±15'	UNLESS OTHERWISE SPECIFIED 1) ALL DIMENSIONS ARE IN INCHES (MILLIMETERS) 2) ALL DIMENSIONS ARE AFTER PLATING. 3) BREAK CORNERS & EDGES .005 R. MAX. 4) CHAM. 1ST & LAST THREADS. 5) SURFACE ROUGHNESS 63-MIL-STD-10. 6) DIA.'S ON COMMON CENTERS TO BE CONCENTRIC WITHIN .005 T.I.R. 7) REMOVE ALL BURRS	 2400 Centrepark West Drive, Suite 100 West Palm Beach, FL 33409 TITLE: SMA ST. PLUG 0.5 WATT TERMINATION
FINISH: SEE NOTES	DECIMAL: X ±.030 .XX ±.010 .XXX ±.005	INTERPRET DIMENSIONS AND TOLERANCES PER ASME Y14.5M - 1994	
SURFACE AREA: N/A	THIRD ANGLE PROJECTION	DRAWN: MEB 06/18/04	SIZE: B
PROPRIETARY THE INFORMATION CONTAINED IN THIS DRAWING IS THE SOLE PROPERTY OF SV MICROWAVE, INC. ANY REPRODUCTION IN PART OR AS A WHOLE WITHOUT THE WRITTEN PERMISSION OF SV MICROWAVE, INC IS PROHIBITED.		CHECKED: SVG 06/18/04	CAGE CODE: 95077
		APPROVED: SVG 06/18/04	DWG. NO. M39030/3-15
			SCALE: 8:1
			SHEET 1 OF 1

## X-ON Electronics

Largest Supplier of Electrical and Electronic Components

*Click to view similar products for [RF Terminators](#) category:*

*Click to view products by [Amphenol](#) manufacturer:*

Other Similar products are found below :

[R404105000](#) [M39030/3-03N](#) [TNG1-9-78-D3](#) [TNA2-50](#) [TNH1-1-50](#) [R404518000](#) [53S1RR-001N3](#) [142275](#) [65\\_BNC-50-0-7/133\\_NE](#)  
[R404240120](#) [R404260000](#) [HT-10-2](#) [M39030/3-04N](#) [M39030/3-11S](#) [TNA1-6-50](#) [131-3801-811](#) [TNA1-1-50](#) [R404101000](#) [1-221629-6](#) [TRM-](#)  
[2048-M0-BNC-10](#) [SF8015-6007](#) [65010\\_N-50-1/199\\_NE](#) [SF8016-6404](#) [6550.17.AA](#) [65\\_N-50-0-51/113\\_NE](#) [65\\_BNC-50-0-2/133\\_NE](#)  
[65\\_BNC-75-0-1/133\\_NE](#) [65\\_QMA-50-0-4/111\\_NE](#) [65\\_N-50-0-1/133\\_NE](#) [65\\_MMCX-50-0-31/111\\_OE](#) [65\\_BNC-50-0-6/113\\_NE](#) [18K15R-](#)  
[0.5E3](#) [2702702](#) [53S17R-001N3](#) [1100.19.0001](#) [6701.01.B](#) [18S24H-40ML5](#) [R404759000](#) [TRM-2080-M0-NNN-07](#) [TRM-2053-MC-NNN-02](#)  
[M39030/3-03S](#) [6701.01.A](#) [65\\_MCX-50-0-4/111\\_NE](#) [65\\_716-50-0-2/003\\_-E](#) [6701.17.A](#) [M39030/3-12N](#) [M39030/5-06N](#) [82-5722-RFX](#) [27-](#)  
[9662](#) [8018-6174](#)