

PRODUCT DATA DRAWING

REVISION HISTORY			
REV	DESCRIPTION	DATE	APPROVED
D	DCN 38201	05/11	PJS

MATERIAL:

BODIES, COUPLING NUT: STAINLESS STEEL PER AMS-5640, ALLOY UNS S30300, TYPE 1

LOCK RINGS, CONTACTS: BERYLLIUM COPPER PER ASTM B196, ALLOY No. UNS C17300, TD04

SLEEVE: BRASS PER ASTM B16, ALLOY UNS No. C36000

BELLOWS: ELECTRO-DEPOSITED GOLD OVER NICKEL

INSULATORS: PTFE PER ASTM D1710, TYPE I, GRADE 1, CLASS B

GASKETS: SILICONE RUBBER PER A-A-59588, CLASS 2B, GRADE 50/60

RESISTOR ELEMENTS: ALUMINA SUBSTRATE WITH TANTALUM NITRIDE RESISTOR

FINISH:

BODIES, COUPLING NUT: PASSIVATED PER AMS-2700

CONTACTS, SLEEVE: GOLD PER ASTM B488, TYPE II, CODE C, CLASS 1.27; OVER NICKEL PER AMS-QQ-N-290, CLASS 1, .00005" MIN.

PERFORMANCE:

IMPEDANCE: 50 OHMS

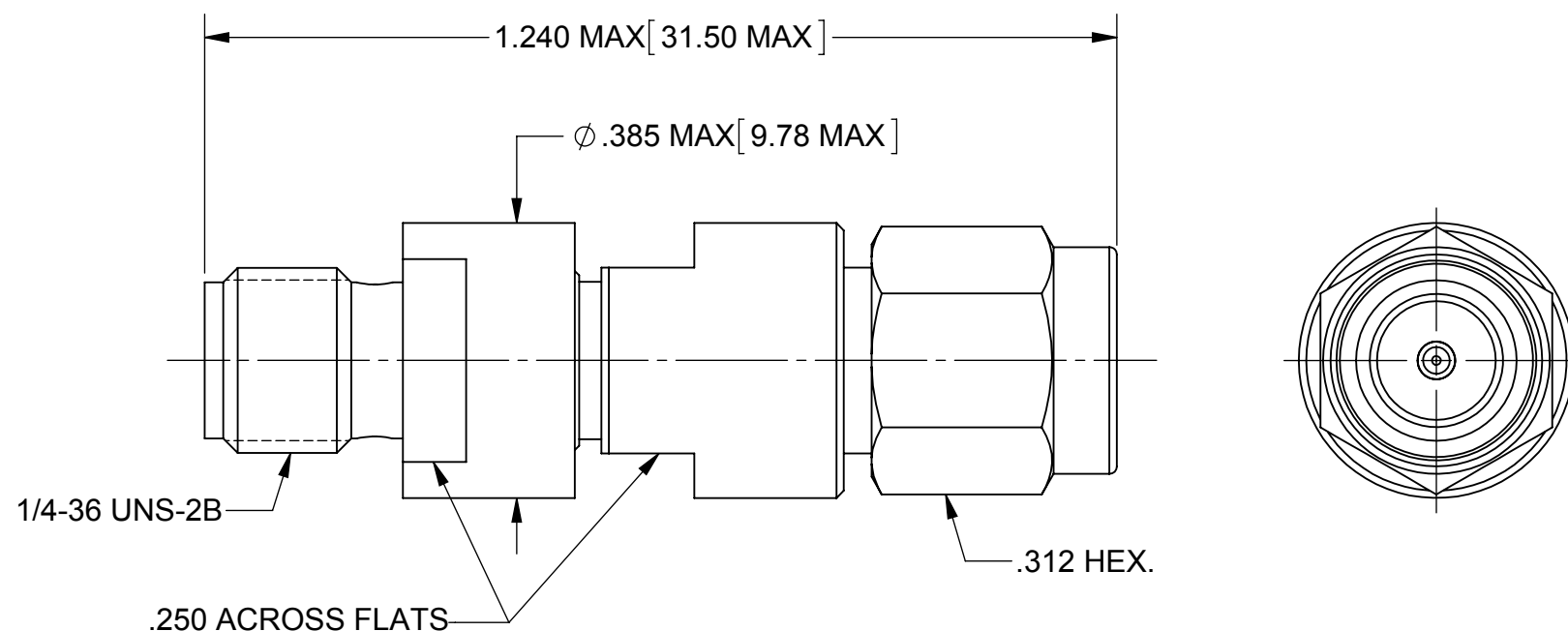
FREQ. RANGE: DC TO 18.0 GHz

VSWR: SEE TABLE 1

OPERATING TEMP.: -55°C TO +125°C

AVG. POWER: 2 WATT (POWER INPUT DERATED LINEARLY FROM 25°C TO 0.5 WATTS AT 125°C)

PEAK POWER: 500 WATTS (PEAK POWER FOR A DUTY CYCLE OF 5X10⁻⁴ MAXIMUM PULSE DURATION OF 5 MICROSECONDS)



"XX" NUMBER TO dB VALUE CHART

"XX" NUMBER	dB VALUE
-01	3
-02	6
-03	10
-04	20
-05	1
-06	2
-07	4
-08	5
-09	7
-10	8
-11	9
-16	0
-17	0.5
-18	1.5

"XX" NUMBER	dB VALUE
-19	2.5
-20	3.5
-21	4.5
-22	5.5
-23	6.5
-24	7.5
-25	8.5
-26	9.5
-27	10.5
-28	11
-29	11.5
-30	12
-31	12.5
-32	13

"XX" NUMBER	dB VALUE
-33	13.5
-34	14
-35	14.5
-36	15
-37	15.5
-38	16
-39	16.5
-40	17
-41	17.5
-42	18
-43	18.5
-44	19
-45	19.5

dB VALUE	ATTENUATION ACCURACY	VSWR			
		DC-4 GHz	4-8 GHz	8-12.4 GHz	12.4-18 GHz
0-2.5 dB	±0.4 dB	1.15:1	1.20:1	1.25:1	1.35:1
3-6.5 dB	±0.3 dB				
7-15.5 dB	±0.5 dB				
16-20 dB	±0.7 dB				

MATERIAL: SEE NOTES	DIMENSIONS ARE IN INCHES TOLERANCES: FRACTIONAL: ±1/64 ANGULAR: X° ±1'0" X'X' ±15'	UNLESS OTHERWISE SPECIFIED 1) ALL DIMENSIONS ARE IN INCHES (MILLIMETERS) 2) ALL DIMENSIONS ARE AFTER PLATING. 3) BREAK CORNERS & EDGES .005 R. MAX. 4) CHAM. 1ST & LAST THREADS. 5) SURFACE ROUGHNESS 63-MIL-STD-10. 6) DIA: S ON COMMON CENTERS TO BE CONCENTRIC WITHIN .005 T.I.R. 7) REMOVE ALL BURRS	SV Microwave, Inc. 2400 Centrepark West Drive, Suite 100 West Palm Beach, FL 33409 TITLE: SMA JACK TO PLUG DC-18 GHz ATTENUATOR SIZE: B CAGE CODE: 95077 DWG. NO. M3933/16-XX SCALE: 4:1 SHEET 1 OF 1
FINISH: SEE NOTES	DECIMAL: X ±.030 .XX ±.010 .XXX ±.005	INTERPRET DIMENSIONS AND TOLERANCES PER ASME Y14.5M - 1994	
SURFACE AREA: N/A	THIRD ANGLE PROJECTION	DRAWN: MEB 01/31/03 CHECKED: STW 01/31/03 APPROVED: STW 01/31/03	
PROPRIETARY THE INFORMATION CONTAINED IN THIS DRAWING IS THE SOLE PROPERTY OF SV MICROWAVE, INC. ANY REPRODUCTION IN PART OR AS A WHOLE WITHOUT THE WRITTEN PERMISSION OF SV MICROWAVE, INC IS PROHIBITED.			

X-ON Electronics

Largest Supplier of Electrical and Electronic Components

Click to view similar products for [RF Mil Spec Connectors](#) category:

Click to view products by [Amphenol](#) manufacturer:

Other Similar products are found below :

[M55339/38-00001](#) [M39012/69-0004](#) [M39012/95-0001](#) [M39012/56B3112](#) [M3933/25-88N](#) [M39012/55-3125](#) [UG-23D/U\(40\)](#) [UG-306/U\(40\)](#)
[UG-492/U](#) [SMA6251A1-3GT50G-50B](#) [SMA1111A1-3GT50G-1-50](#) [M39012/28-0010](#) [M39012/55B3022](#) [M39012/26-0018](#) [M39012/26-0022](#)
[M39012/26-0101](#) [M39012/26-0225](#) [SMA1111A2-3GT50G-5-50](#) [SMA1112A5-3GT50G-5-50](#) [SMA1112A6-3GT50G-1-50](#) [M39012/79-3108](#)
[M39012/79B3001](#) [M39012/80-3107](#) [M39012/55-3030](#) [M39012/56-3126](#) [M55339/02-30001](#) [M55339/28-30001](#) [M55339/28-30002](#)
[M55339/29-30001](#) [M55339/31-30001](#) [SMA2071A1-3GT50G-50](#) [1102-0003](#) [M39012/26-0011](#) [M39012/26-0012](#) [M39012/26B0006](#)
[M39012/26B0015](#) [M39012/28-0022](#) [M39012/30-0101](#) [M39012/31-0002](#) [M39012/33-0001](#) [M39012/39-0501](#) [M39012/55-3006](#) [M39012/55-](#)
[3007](#) [M39012/55-3009](#) [M39012/55-3026](#) [M39012/79-3008](#) [M39012/80B3002](#) [M39012/55-3106](#) [M39012/30-0118](#) [M39012/55-3008](#)