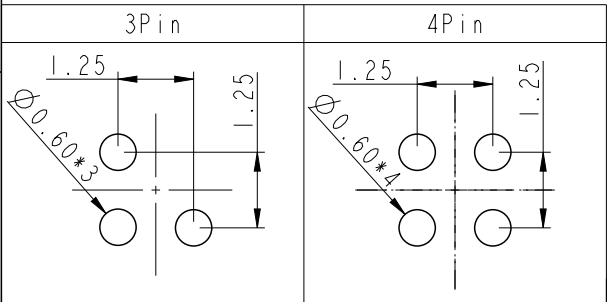
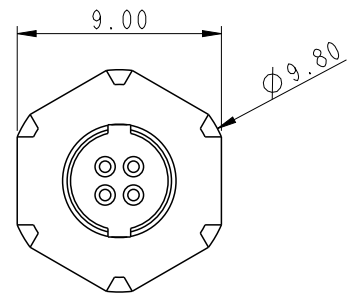
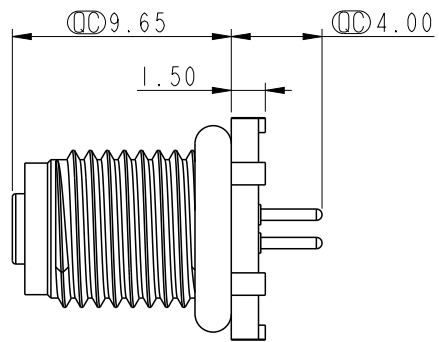
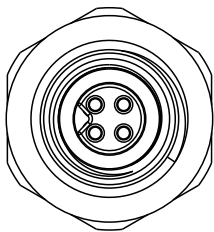


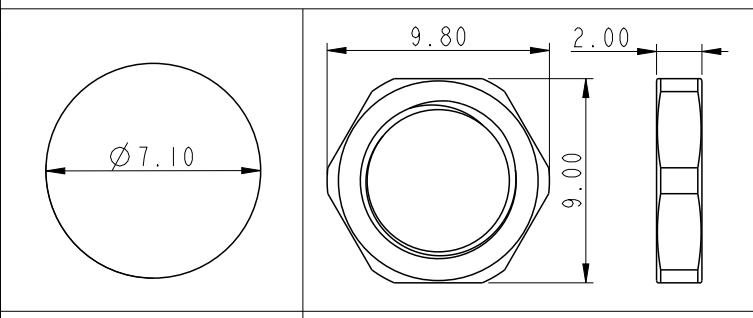
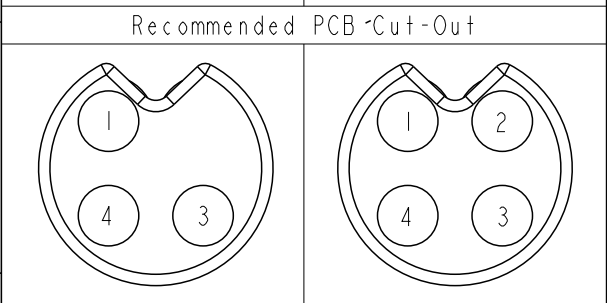
THIS DOCUMENT IS SUBJECT TO CHANGE WITHOUT NOTICE. IT IS CONFIDENTIAL AND A PROPERTY OF Amphenol LTW. DISCLOSURE TO THIRD PARTY HAS TO BE AUTHORIZED BY Amphenol LTW.

REV.	ECN NO.	DATE	SIGN	DESCRIPTION
A	-	2021/10/20	Allen	New Initial.



M5-XXPFFP-SF7001
 XX:NO.OF Pin

- Note
- * \varnothing Important Dimension To Check
 - * Waterproof Rate: IPX7, Unmated.
 - * Connector
 - Housing: Thermoplastic, Black.
 - Pin: Copper Alloy, Gold Plated.
 - O-Ring: Rubber, Green.
 - * Shield: Metal.
 - * Nut: Metal.
 - * O-Ring: Rubber, Gray.
 - * For Panel Thickness Max 4.0mm.
 - * Recommend pcb thickness: 1.6mm.
 - * Nut are packed separately in PE bags.
 - * RoHS Compliant.



Pin Assignments Front View

Recommended Panel Cut-Out

UNIT:mm		TITLE	N SEN, M5, SCREW RECEPTACLE, F, PCB S		
TOLERANCE		SCALE	SIZE	SHEET	OF
.X ±0.25		3:1	A4	1	1
.XX ±0.1		REV.	WC-REV.	①: Inspection item	
.XXX ±0.05		A	.0		
ANGLES ±1°					

Amphenol LTW
 安費諾亮泰企業股份有限公司

ITEM NO	DRAWN BY	DATE
	Allen	2021/10/20
DWG NO	CHECKED BY	DATE
M5-XXPFFP-SF7001	Wen	2021/10/20
CUSTOMER	APPROVED BY	DATE
ALTW	Neo	2021/10/20

X-ON Electronics

Largest Supplier of Electrical and Electronic Components

Click to view similar products for [Circular Metric Connectors](#) category:

Click to view products by [Amphenol](#) manufacturer:

Other Similar products are found below :

[600X518037X](#) [6STD15PCR99B70A](#) [8R4000A16M020](#) [8R5000A16M005](#) [1200910002](#) [1203580030](#) [1200910008](#) [1200910011](#) [1300140094](#)
[130203-0054](#) [1300140026](#) [1300150099](#) [RF-12S1N8A90DU](#) [1-3637-600-5205](#) [1612618](#) [21036836414](#) [8R4006A16M010](#) [8R5006A18A120](#)
[1604232](#) [1R3006A20M005](#) [RF-12P1N8A80DU](#) [RF-12P1N8A90DU](#) [41-40011](#) [42-00006](#) [42-01015](#) [4-22279-4](#) [4-22281-1](#) [4-22284-9](#) [43-](#)
[01088](#) [43-01203](#) [41-40013](#) [42-00008](#) [43-01032](#) [43-01162](#) [43-01173](#) [43-10000](#) [600X518050X](#) [SACC-DSI-FS-5P-PG9-L180 SC](#)
[8R5006A16M020](#) [8R5006A16M005](#) [8R4006A16A120](#) [8R4000A16M010](#) [6-22279-3](#) [1605332](#) [N03FA03144](#) [1300140077](#) [43-16213](#) [43-](#)
[01338](#) [XS2RD4265](#) [XS2R-D426-1](#)