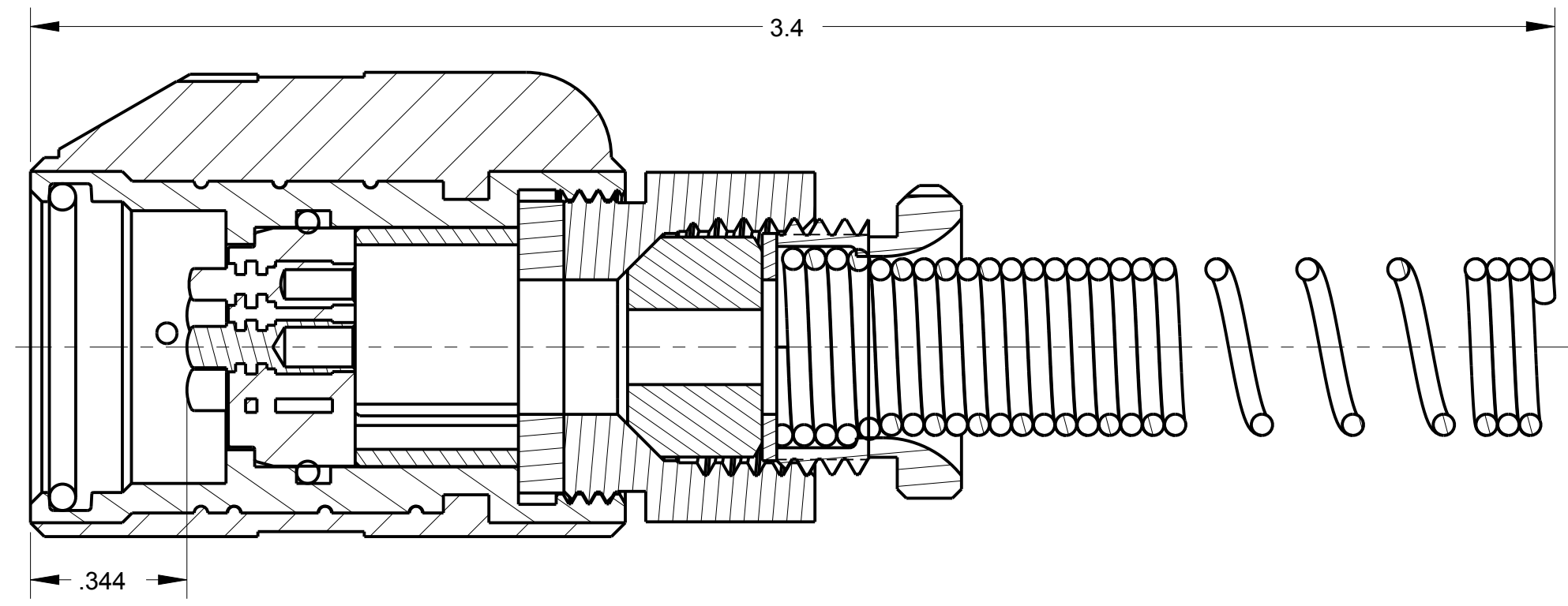
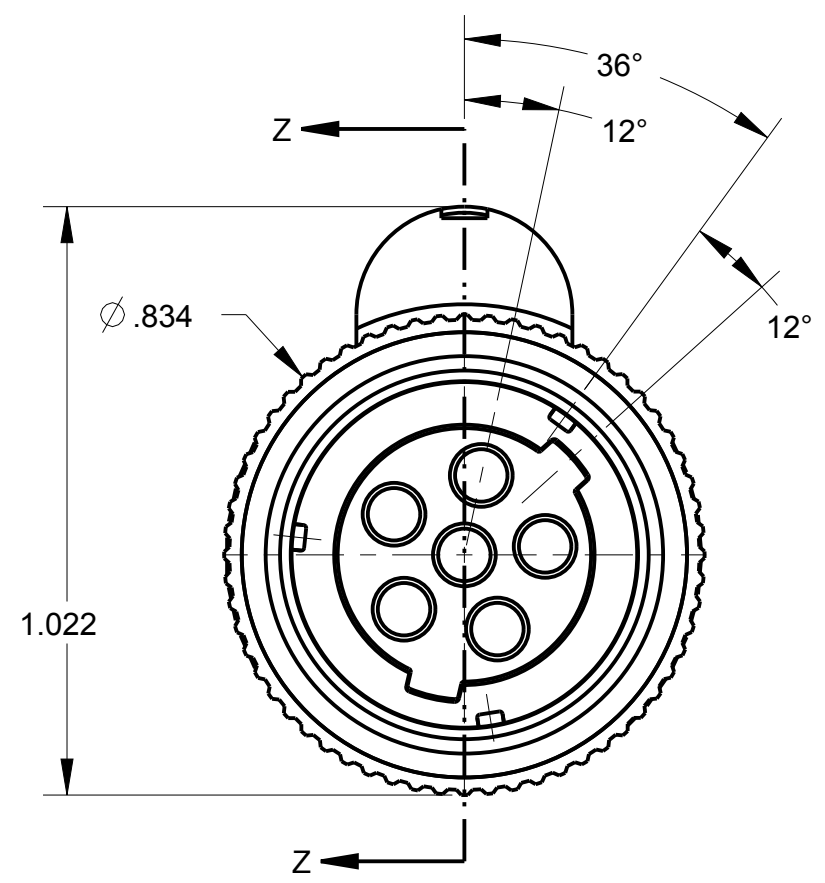
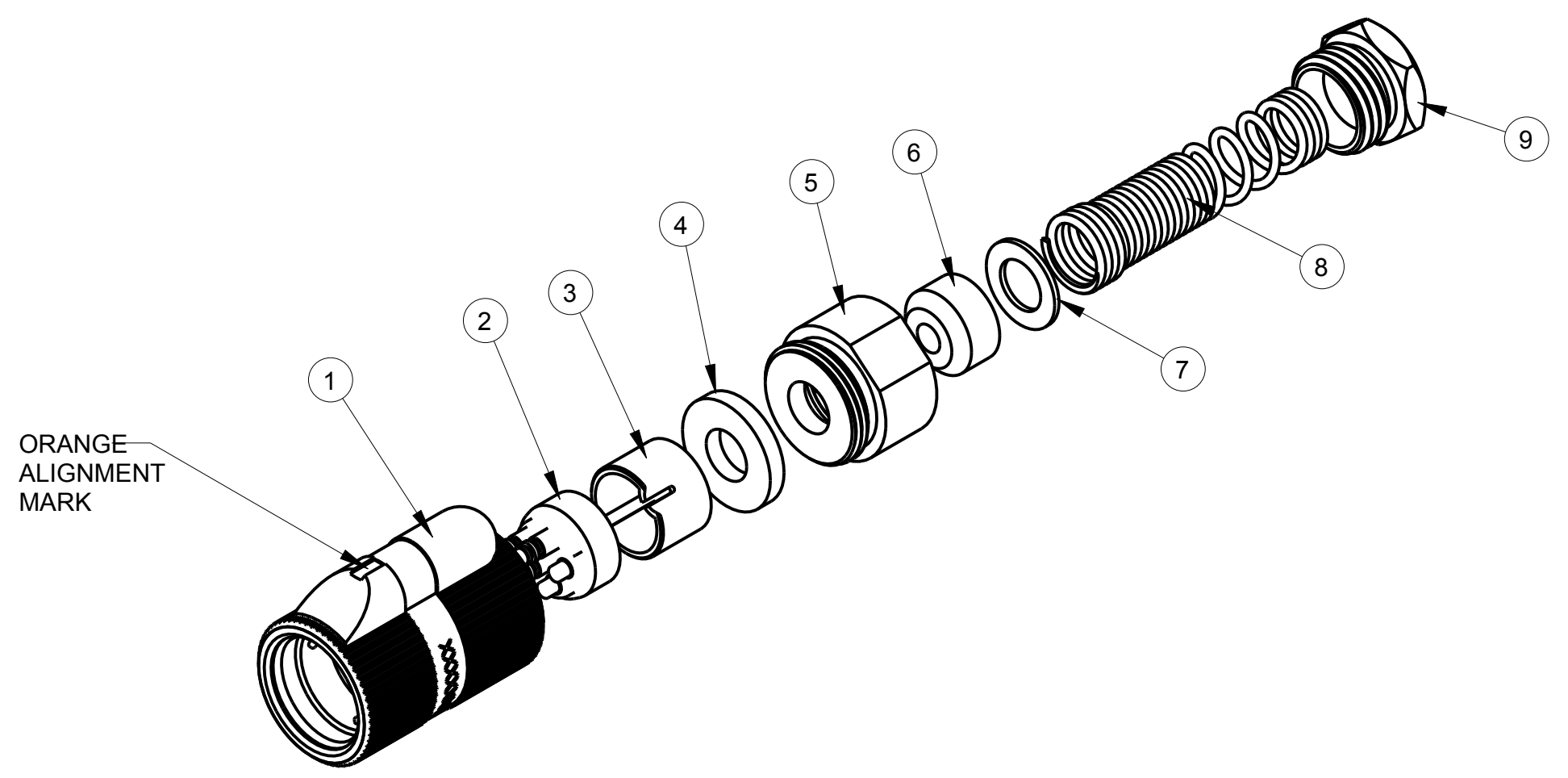


C AP-126

ITEM #	PART #	QTY	DESCRIPTION	MATERIAL
1	SEE TABLE #1	1	SHELL ASS'Y	GLASS FILLED NYLON & 303 SS
2	AP-126-6	1	INSERT ASS'Y	DIALLYPHTHALATE, TYPE SDGF & GOLD PLATED BRASS
3	AP-105-5	1	STRAIN RELIEF	NYLON
4	AP-116-3	1	WASHER	RUBBER
5	AP-116-7	1	NUT ADAPTER	ALUMINUM, ANODIZED
6	SEE TABLE #1	1	BUSHING	RUBBER
7	SEE TABLE #1	1	WASHER	STAINLESS STEEL
8	SEE TABLE #1	1	SPRING	302 STAINLESS STEEL
9	AP-116-6	1	STUD	ALUMINUM ALLOY, ANODIZED

TABLE #1						
AUDIO PLUG #	MILITARY PART #	SHELL ASS'Y	CABLE SIZE	BUSHING	WASHER	SPRING
AP-126/2-1	M55116/2-1	AP-126-1	∅ .185 ± .010	AP-116-17	AP-116-2	AP-116-4
AP-126/2-2	M55116/2-2	AP-126-2	∅ .228 ± .010	AP-116-18	AP-116-2	AP-116-4
AP-126/2-3	M55116/2-3	AP-126-3	∅ .250 ± .010	AP-116-8	AP-116-2	AP-116-4
AP-126/2-4	M55116/2-4	AP-126-4	∅ .290 ± .010	AP-116-19	AP-116-2	AP-116-4
AP-126/2-5	M55116/2-5	AP-126-5	∅ .320 ± .010	AP-116-20	AP-116-22	AP-116-21



SECTION Z-Z

NOTES:
 1) UNLESS OTHERWISE SPECIFIED, CONNECTOR MEETS ALL GENERAL REQUIREMENTS & SPECIFICATIONS OF MIL-C-55116

THIS DOCUMENT CONTAINS PROPRIETARY INFORMATION OF NEXUS, INCORPORATED AND SUCH INFORMATION MAY NOT BE DISCLOSED TO OTHERS FOR ANY PURPOSE OR USED FOR ANY PURPOSE WITHOUT THE WRITTEN CONSENT OF NEXUS.

					DWN.BY MNF	DATE 2/4/97	MATERIAL
					CHECKED BY L SMITH	DATE 9/9/97	FINISH
					APPR.BY L SMITH	DATE 9/9/97	WEIGHT _____ SCALE = 1.00 :1
C	REVISE TABLE #1	111	8/1 2011	HR	UNLESS OTHERWISE SPECIFIED DIMENSIONS ARE IN INCHES & OR [mm] TOLERANCES: DECIMAL: ±.XX[X.X] ±.XXX[XX] ±.01[0.3] ±.003[0.08] FRACTION: ±XXX ± 1/64 ANGLES: ±X ° ±5 °		TITLE AUDIO PLUG
B	ADD P/N'S IN P/L	101	2/25 2011	HR	DO NOT SCALE DWG. SHEET 1 OF 1		
A	REVISED & REDRAWN ON CAD	0259	2/24 1997	LS	NEXUS STAMFORD, CONN.		
LET.	REVISION	CN #	DATE	CHK	SIZE DWG. NO. C AP-126		

X-ON Electronics

Largest Supplier of Electrical and Electronic Components

Click to view similar products for [Phone Connectors](#) category:

Click to view products by [Amphenol](#) manufacturer:

Other Similar products are found below :

[M444B](#) [6J1041A](#) [R4F](#) [E12BPKG](#) [ECP4PKG](#) [161-3502L-E](#) [MT333X](#) [171-0350-EX](#) [171-101A-EX](#) [171-3325-EX](#) [176S](#) [NC3MG-V](#)
[NYS228G](#) [P10834](#) [P2380](#) [P2381X](#) [P2411X](#) [P2412](#) [P2724](#) [JM2PB-AU BULK](#) [9144](#) [S2674](#) [280L](#) [163-156N-2-E](#) [163-158N-2-E](#) [171-3308-](#)
[EX](#) [171-3500-E](#) [2501FT](#) [CMT335](#) [M10662](#) [330Q](#) [RJ5VI-S](#) [40116](#) [TM1R-AU](#) [TM2PBMJ-AU](#) [TM2PJ-AU](#) [TM2PJ-AU BULK](#) [4803.1351](#)
[49201](#) [49205](#) [TS3PBJ-AU](#) [TS3PBMJ-AU](#) [TT32BX](#) [54B](#) [40112](#) [40205](#) [XMT332B](#) [52170017-331](#) [570](#) [NM3](#)