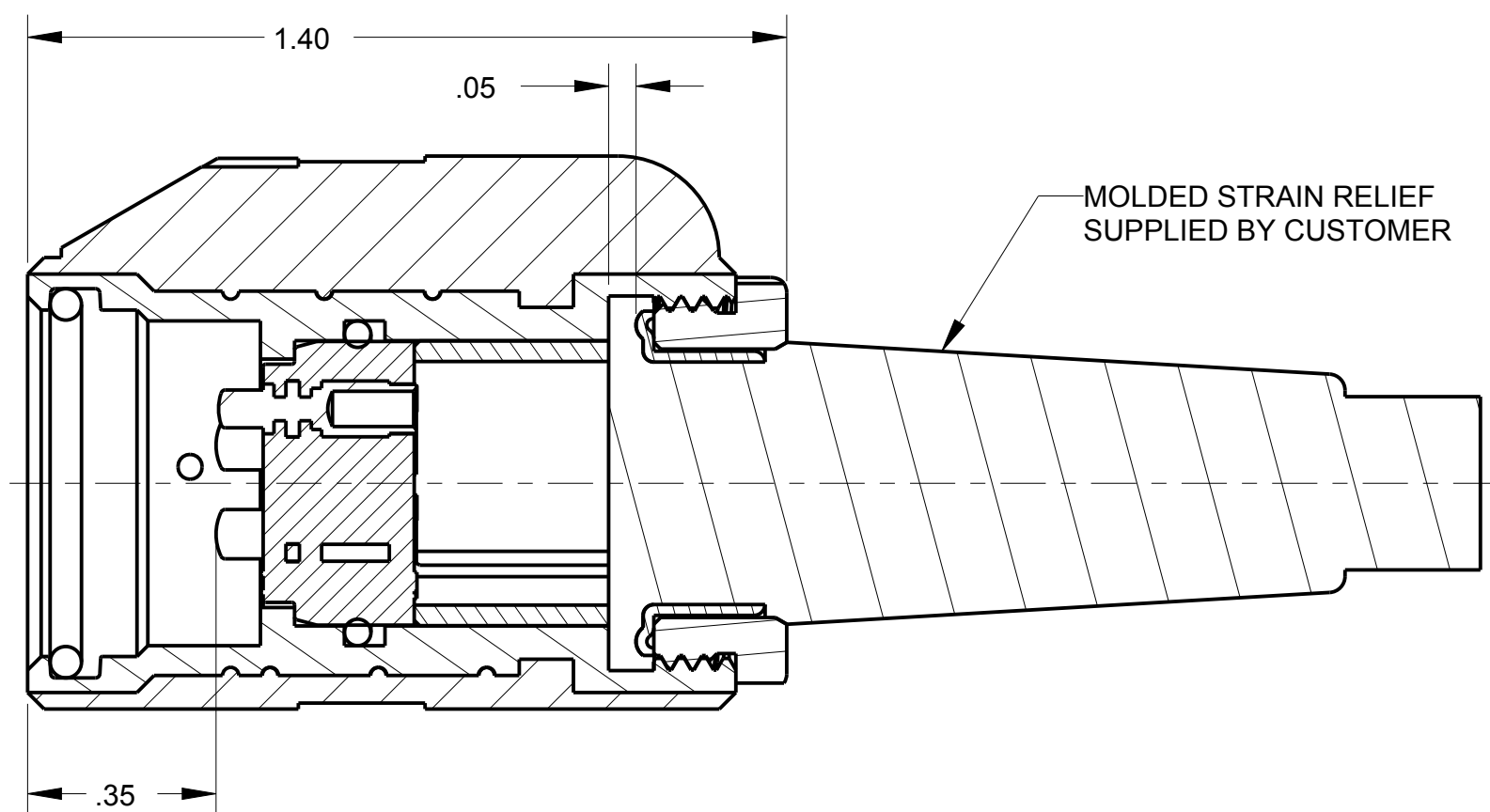
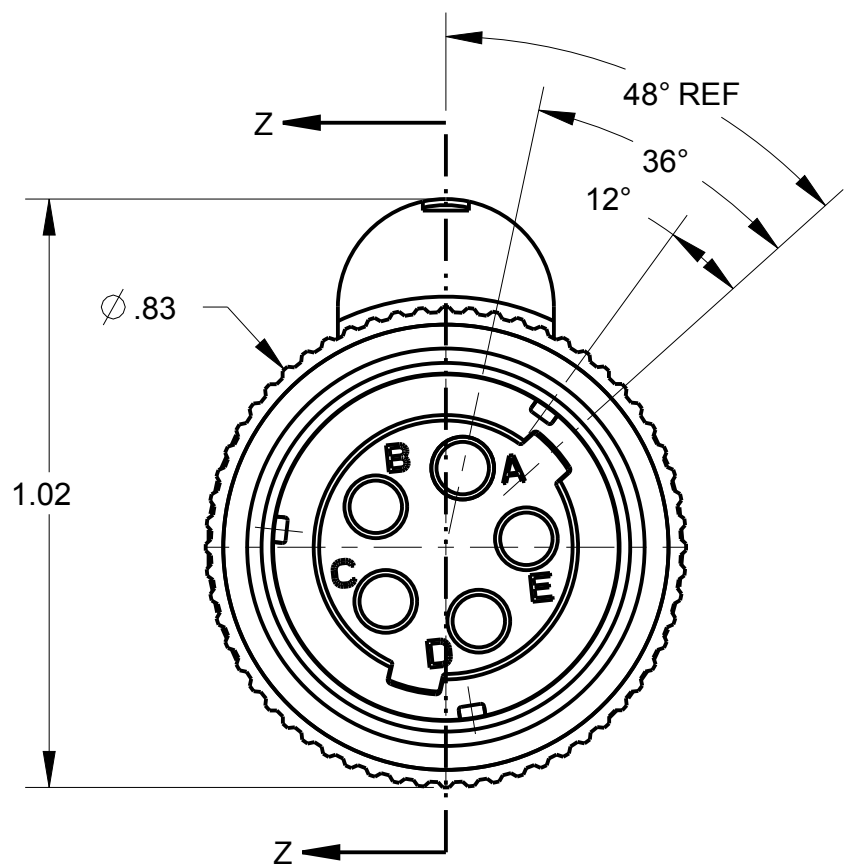
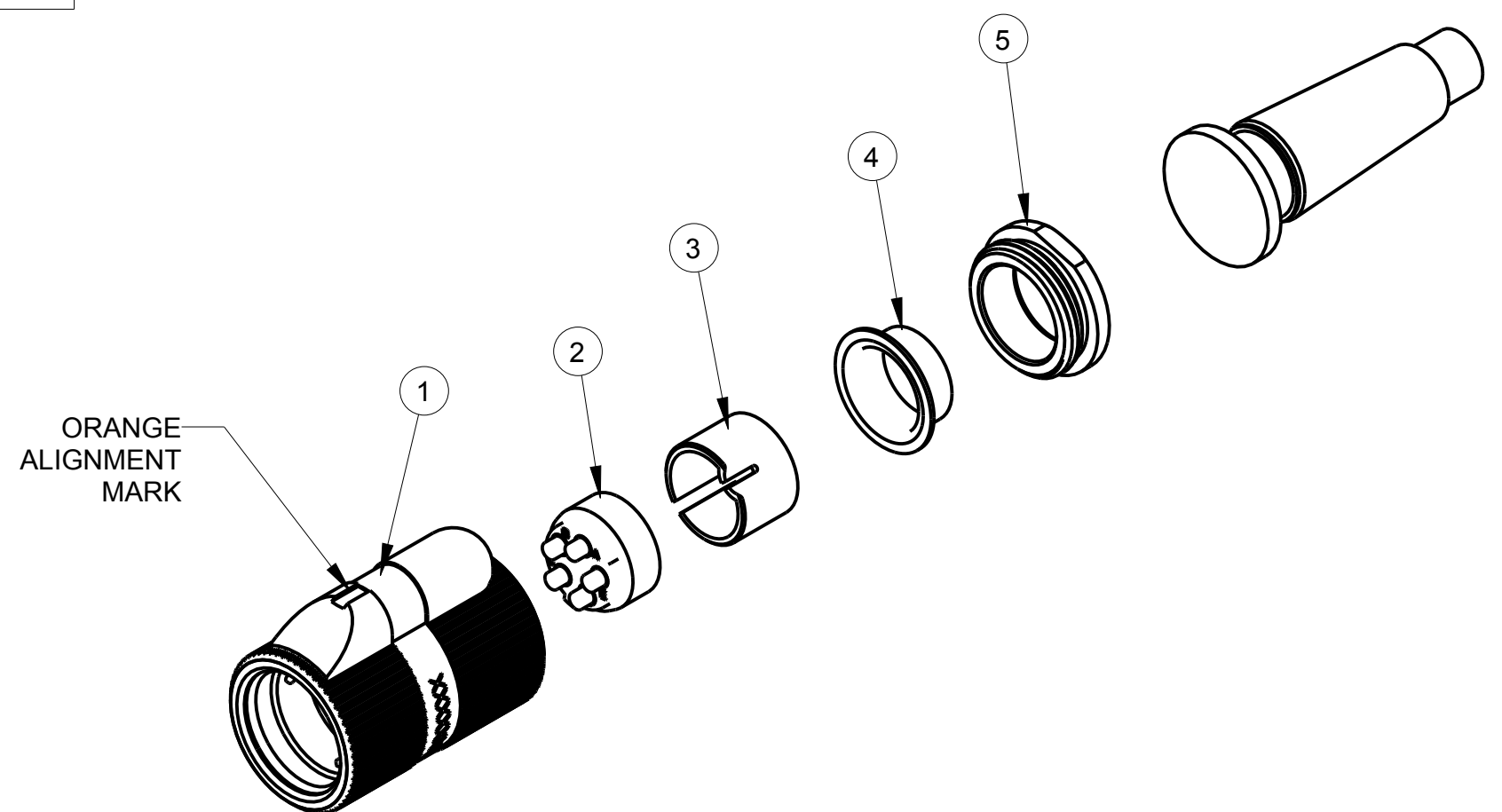


ITEM #	PART #	QTY	DESCRIPTION	MATERIAL
1	SEE TABLE #1	1	SHELL ASS'Y	GLASS FILLED NYLON & 303 SS
2	AP-125-6	1	INSERT ASS'Y	DIALLYPHTHALATE, TYPE SDGF & GOLD PLATED BRASS
3	AP-105-5	1	STRAIN RELIEF	NYLON
4	AP-105-6	1	FERRULE	STAINLESS STEEL
5	AP-105-8	1	NUT CLAMP	NYLON, BLACK PER MIL-P-17091

C AP-155-CP

TABLE #1			
AUDIO PLUG #	MILITARY PART #	SHELL ASS'Y	Ø CABLE
AP-155/5-1	M55116/5-1	AP-155-1	Ø .165 ± .010
AP-155/5-2	M55116/5-2	AP-155-2	Ø .228 ± .010
AP-155/5-3	M55116/5-3	AP-155-3	Ø .250 ± .010
AP-155/5-4	M55116/5-4	AP-155-4	Ø .290 ± .010
AP-155/5-5	M55116/5-5	AP-155-5	Ø .320 ± .010



SECTION Z-Z

NOTES:
 1) UNLESS OTHERWISE SPECIFIED, CONNECTOR MEETS ALL GENERAL REQUIREMENTS & SPECIFICATIONS OF MIL-C-55116

THIS DOCUMENT CONTAINS PROPRIETARY INFORMATION OF NEXUS, INCORPORATED AND SUCH INFORMATION MAY NOT BE DISCLOSED TO OTHERS FOR ANY PURPOSE OR USED FOR ANY PURPOSE WITHOUT THE WRITTEN CONSENT OF NEXUS.

DWN. BY		MNF	DATE		2/4/97	MATERIAL					
CHECKED BY		L SMITH	DATE		9/9/97	FINISH					
APPR. BY		L SMITH	DATE		9/9/97	WEIGHT	SCALE = 1.00 :1				
C		ADD: AP-155/5-2; /5-3, /5-4, & /5-5; 36°, 48° REF. DEL. 12°, 36°	226	8/12 2015	HR	TITLE					
B		ADD P/N's IN P/L	101	2/25 2011	HR	AUDIO PLUG					
A		REVISED & REDRAWN ON CAD	0259	2/24 1997	LS	DO NOT SCALE DWG. SHEET 1 OF 1					
LET.		REVISION	CN #	DATE	CHK	<table border="1"> <tr> <td rowspan="2">SIZE</td> <td rowspan="2">DWG. NO.</td> </tr> <tr> <td>C</td> <td>AP-155-CP</td> </tr> </table>		SIZE	DWG. NO.	C	AP-155-CP
SIZE	DWG. NO.										
		C	AP-155-CP								
TOLERANCES:		DECIMAL:		FRACTION:		ANGLES:					
±.XX[X.X]		±.XXX[X.XX]		±.000[X.XXX]		±.X°					
±.0X[0.X]		±.00X[0.0X]		±.000X[0.0XX]		±.X'					

X-ON Electronics

Largest Supplier of Electrical and Electronic Components

Click to view similar products for [Phone Connectors](#) category:

Click to view products by [Amphenol](#) manufacturer:

Other Similar products are found below :

[M444B](#) [6J1041A](#) [R4F](#) [E12BPKG](#) [ECP4PKG](#) [161-3502L-E](#) [MT333X](#) [171-0350-EX](#) [171-101A-EX](#) [171-3325-EX](#) [176S](#) [NC3MG-V](#)
[NYS228G](#) [P10834](#) [P2380](#) [P2381X](#) [P2411X](#) [P2412](#) [P2724](#) [JM2PB-AU BULK](#) [9144](#) [S2674](#) [280L](#) [163-156N-2-E](#) [163-158N-2-E](#) [171-3308-](#)
[EX](#) [171-3500-E](#) [2501FT](#) [CMT335](#) [M10662](#) [330Q](#) [RJ5VI-S](#) [40116](#) [TM1R-AU](#) [TM2PBMJ-AU](#) [TM2PJ-AU](#) [TM2PJ-AU BULK](#) [4803.1351](#)
[49201](#) [49205](#) [TS3PBJ-AU](#) [TS3PBMJ-AU](#) [TT32BX](#) [54B](#) [40112](#) [40205](#) [XMT332B](#) [52170017-331](#) [570](#) [NM3](#)