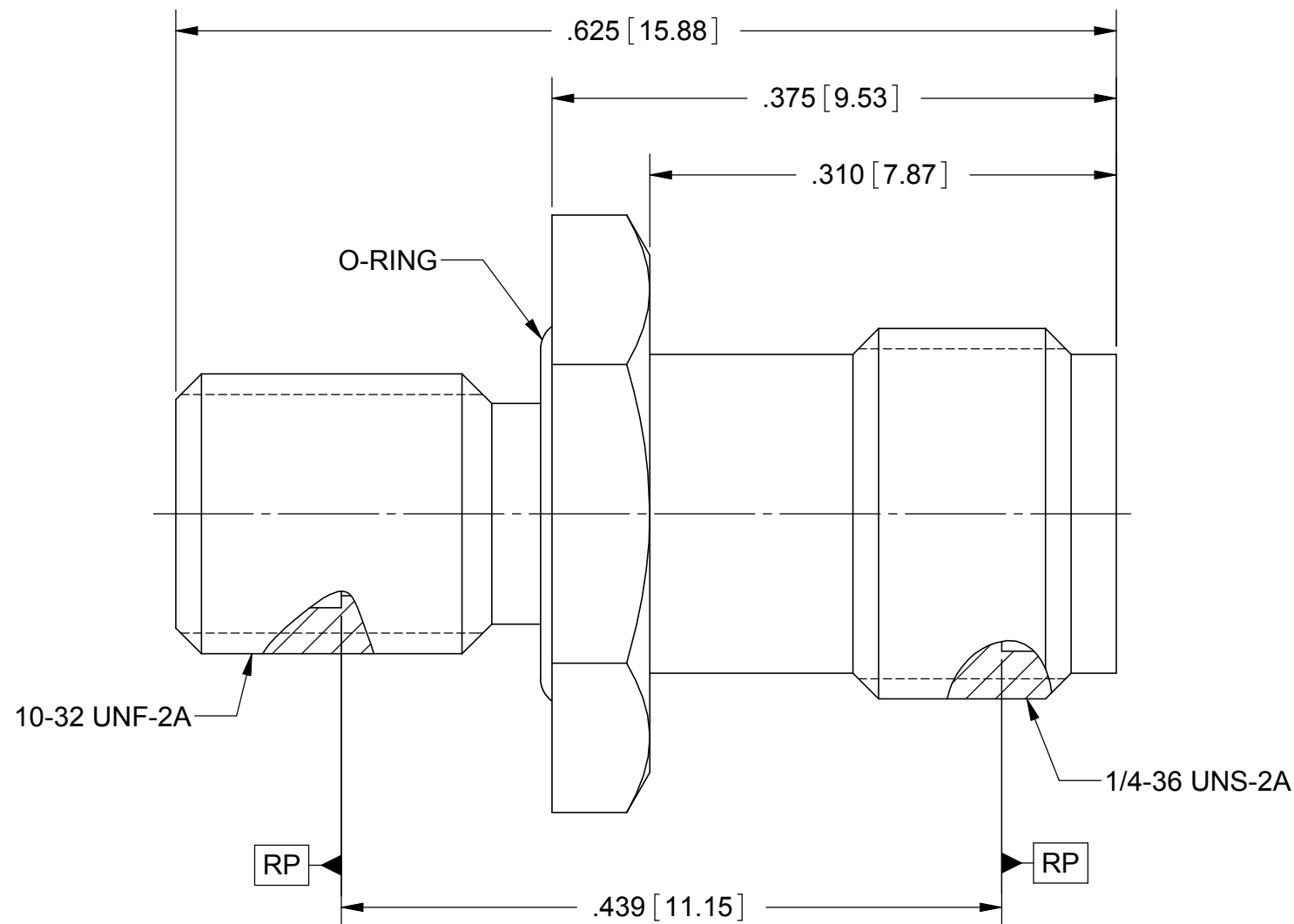
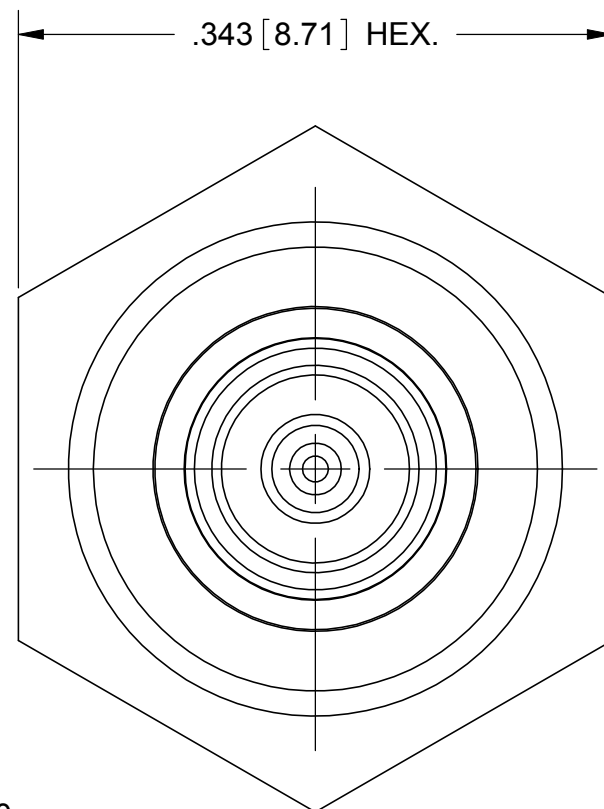


# PRODUCT DATA DRAWING

REVISION HISTORY			
REV	DESCRIPTION	DATE	APPROVED
-	DCN 36549	03/09	STW
A	DCN 37905	11/10	STW



**MATERIAL:**

- BODY:** STAINLESS STEEL PER AMS-5640, ALLOY UNS S30300, TYPE 1
- CONTACT:** BERYLLIUM COPPER PER ASTM B196, ALLOY No. UNS C17300, TD04
- INSULATOR:** PTFE PER ASTM D1710, TYPE I, GRADE 1, CLASS B
- O-RING:** SILICONE RUBBER PER A-A-59588, CLASS 2B, GRADE 50/60

**FINISH:**

- BODY:** PASSIVATED PER AMS-2700.
- CONTACT:** GOLD PER ASTM B488, TYPE II, CODE C, CLASS 1.27, OVER NICKEL PER AMS-QQ-N-290, CLASS 1, .00005" MIN.

**PERFORMANCE:**

- IMPEDANCE:** 50 OHMS
- FREQ. RANGE:** DC TO 18.0 GHZ

MATERIAL: SEE NOTES	DIMENSIONS ARE IN INCHES TOLERANCES: FRACTIONAL: ±1/64 ANGULAR: X° ±1'0" X"X' ±15"	UNLESS OTHERWISE SPECIFIED 1) ALL DIMENSIONS ARE IN INCHES (MILLIMETERS) 2) ALL DIMENSIONS ARE AFTER PLATING 3) BREAK CORNERS & EDGES .005 R. MAX. 4) CHAM. 1ST & LAST THREADS. 5) SURFACE ROUGHNESS 63-MIL-STD-10. 6) DIA. 'S ON COMMON CENTERS TO BE CONCENTRIC WITHIN .005 T.I.R. 7) REMOVE ALL BURRS	<b>SV Microwave, Inc.</b> 2400 Centrepark West Drive, Suite 100 West Palm Beach, FL 33409
FINISH: SEE NOTES	DECIMAL: X ±.030 .XX ±.010 .XXX ±.005	INTERPRET DIMENSIONS AND TOLERANCES PER ASME Y14.5M - 1994	TITLE: SMP LIMITED DETENT MALE TO SMA FEMALE PANEL MOUNT ADAPTER
SURFACE AREA: N/A	THIRD ANGLE PROJECTION	DRAWN: DAL 03/06/09	SIZE: B CAGE CODE: 95077 DWG. NO. SF1112-6034
PROPRIETARY THE INFORMATION CONTAINED IN THIS DRAWING IS THE SOLE PROPERTY OF SV MICROWAVE, INC. ANY REPRODUCTION IN PART OR AS A WHOLE WITHOUT THE WRITTEN PERMISSION OF SV MICROWAVE, INC IS PROHIBITED.		CHECKED: STW 03/06/09	SCALE: 9:1
		APPROVED: STW 03/06/09	SHEET 1 OF 1

## X-ON Electronics

Largest Supplier of Electrical and Electronic Components

*Click to view similar products for [RF MIL Spec Connectors](#) category:*

*Click to view products by [Amphenol](#) manufacturer:*

Other Similar products are found below :

[M39012/61-3001](#) [GTS01-16-10S-116](#) [CTVP00RW-25-35S\(506\)](#) [93-150752-06S](#) [SMA6251A1-3GT50G-50B](#) [UG-89/U\(40\)](#) [M39012/27-0018](#)  
[M39012/27-0101](#) [M39012/01-0005](#) [SMA1111A1-3GT50G-1-50](#) [625-MAGNET](#) [M39012/28-0010](#) [M39012/55B3022](#) [M39012/26-0018](#)  
[M39012/26-0022](#) [M39012/26-0225](#) [M55339/47-30001](#) [SMA1111A2-3GT50G-5-50](#) [SMA1112A5-3GT50G-5-50](#) [SMA1112A6-3GT50G-1-50](#)  
[M39012/79-3108](#) [M39012/79B3001](#) [M39012/80-3107](#) [M39012/55-3030](#) [M39012/56-3126](#) [M55339/02-30001](#) [M55339/28-30001](#)  
[M55339/28-30002](#) [M55339/29-30001](#) [M55339/31-30001](#) [UG-29A/U](#) [SMA2071A1-3GT50G-50](#) [1102-0003](#) [M39012/16-0101](#) [M39012/26-0011](#) [M39012/26-0012](#) [M39012/26B0006](#) [M39012/26B0015](#) [M39012/28-0022](#) [M39012/30-0101](#) [M39012/31-0001](#) [M39012/31-0002](#)  
[M39012/33-0001](#) [M39012/39-0501](#) [M39012/55-3006](#) [M39012/55-3007](#) [M39012/55-3009](#) [M39012/55-3026](#) [M39012/55-3028](#) [M39012/55-3109](#)