

Backshells by Amphenol Socapex

For LJT, RNJ, RNJ LP, JT, TV-CTV, SC39 and SJT Connectors
For MIL-DTL-38999 Series I, II, III, EN3645 and VG96912 Connectors

Amphenol



For **AS85049 Backshells**,
please consult our complete
catalog "Amphenol Backshell"



Connecting people + technology

www.amphenol-socapex.com

TABLE OF CONTENTS

GENERAL CHARACTERISTICS.....	3
STRAIN RELIEFS	4
LJT/TV strain reliefs	4
JT strain reliefs	5
SJT strain reliefs	5
BACKSHELLS FOR SHIELDING	6
LJT NSA and TV NSA.....	6
JT SA	7
OTHER BACKSHELLS FOR SHIELDING.....	8
LJT SQ	8
LJT NSB.....	9
BAND BACKSHELLS FOR SHIELDING	10
HE308-35 and TV35 backshells.....	10
SBC backshells	12
M85049 band backshells.....	14
CONNECTORS WITH INTEGRATED BACKSHELLS	15
Integrated backshells for TV.....	15
Integrated backshells for LJT.....	16
ADAPTERS FOR HEAT-SHRINK MOULDED PIECES.....	17
NSD backshells.....	17
ADAPTERS FOR SEALING GLAND.....	18
Metric sealing gland straight version.....	18
Metric sealing gland 105° angled version	19
BACKSHELLS FOR POTTING	20
LJT RPD.....	20
COMPOSITE BACKSHELLS.....	21
CTV35/ABS2216	21
HEAT-SHRINK MOULDED PIECES.....	22
TORQUE VALUE FOR REAR ACCESSORIES	23
CROSS REFERENCES.....	23

GENERAL CHARACTERISTICS

MAIN FEATURES

- **Shell material**
 - Aluminium alloy
 - Marine bronze
 - For composite, please consult us
- **Finish**
 - Olive drab cadmium plating
 - Electroless nickel plating
 - Green zinc cobalt plating
 - Black zinc nickel plating
 - For others, please consult us
- **9 shell sizes per model**
- **Straight or right angled versions**
- **Working temperature**
 - From -65°C to $+175^{\circ}\text{C}$ with olive drab cadmium plating, green zinc cobalt plating and black zinc nickel plating
 - From -65°C to $+200^{\circ}\text{C}$ with electroless nickel plating

For specific backshells for marine applications and 217 backshells, please consult us.

DESCRIPTION

You will find hereafter Amphenol Socapex backshells for LJ (MIL-DTL-38999 Series I / HE308), RNJ (HE308), RNJ LP, TV-CTV (MIL-DTL-38999 Series III), SC39 and SJT (VG96912) connectors, as well as specific light weight backshells for JT (MIL-DTL-38999 Series II) connectors. These rear accessories enhance the performance capabilities of the connectors for both general duty and severe environment applications.

Different technologies are used in order to ensure the following functions:

- **EMI shielding**
- **cable retention**
- **sealing**

This large choice of rear accessories provides you with the right solution for your connector/backshell interconnection.

APPLICATIONS

Military and aeronautic applications: battlefields, ground vehicles, aircrafts.

Advanced industrial applications with specific climatic, mechanical or electrical requirements.



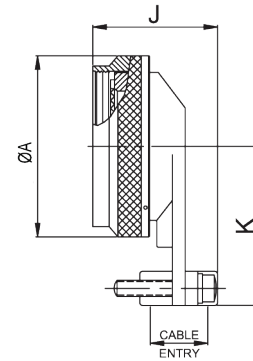
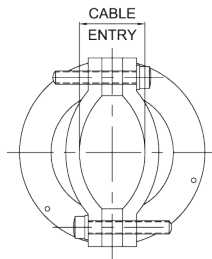
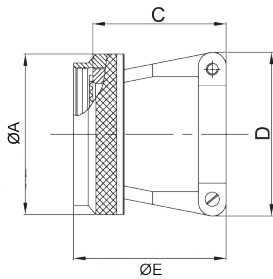
STRAIN RELIEFS

These backshells ensure a mechanical retention of the cable.

LJT/TV STRAIN RELIEFS

M85049/49-2 strain relief and M85049/47 (90° angled versions) suitable for LJT (MIL-DTL-38999 Series I / HE308) and RNJ (HE308) connectors.

M85049/38 strain relief and M85049/39 (90° angled versions) suitable for TV-CTV (MIL-DTL-38999 Series III), SC39 and RNJ LP connectors.



Size	LJT	TV	Ø A max mm (in)	C max mm (in)	D max mm (in)	E max mm (in)	Cable Entry		J		K mm (in)
	Thread for M85049/49-2 UNEF-2B	Thread for M85049/38 Metric					mm (in)		mm (in)		
							min	max	for M85049/47	for M85049/39	
09	.4375-28	M12 x 1.0 - 6H	19.05 (0.75)	23.11 (0.91)	21.59 (0.85)	27.94 (1.10)	2.49 (0.10)	5.94 (0.23)	35.05 (1.38)	33.27 (1.31)	25.40 (1.00)
11	.5625-24	M15 x 1.0 - 6H	21.59 (0.85)	23.11 (0.91)	22.86 (0.90)	27.94 (1.10)	3.89 (0.15)	5.94 (0.23)	35.05 (1.38)	33.27 (1.31)	27.94 (1.10)
13	.6875-24	M18 x 1.0 - 6H	25.40 (1.00)	25.65 (1.01)	27.94 (1.10)	30.48 (1.20)	4.83 (0.19)	8.33 (0.33)	37.08 (1.46)	38.35 (1.51)	27.94 (1.10)
15	.8125-20	M22 x 1.0 - 6H	27.94 (1.10)	26.92 (1.06)	29.21 (1.15)	31.75 (1.25)	6.60 (0.26)	11.61 (0.46)	41.4 (1.63)	39.37 (1.55)	31.75 (1.25)
17	.9375-20	M25 x 1.0 - 6H	31.75 (1.25)	29.46 (1.16)	33.02 (1.30)	34.44 (1.36)	7.19 (0.28)	15.60 (0.61)	45.72 (1.80)	43.43 (1.71)	33.02 (1.30)
19	1.0625-18	M28 x 1.0 - 6H	35.56 (1.40)	35.81 (1.41)	38.10 (1.50)	40.64 (1.60)	8.26 (0.33)	16.10 (0.63)	46.23 (1.82)	45.97 (1.81)	34.29 (1.35)
21	1.1875-18	M31 x 1.0 - 6H	38.10 (1.50)	38.35 (1.51)	40.64 (1.60)	43.21 (1.70)	8.71 (0.34)	17.73 (0.70)	48.26 (1.90)	49.53 (1.95)	40.64 (1.60)
23	1.3125-18	M34 x 1.0 - 6H	41.91 (1.65)	42.16 (1.66)	43.18 (1.70)	46.99 (1.85)	9.68 (0.38)	20.90 (0.82)	51.82 (2.04)	53.34 (2.10)	44.45 (1.75)
25	1.4375-18	M37 x 1.0 - 6H	44.45 (1.75)	44.70 (1.76)	45.72 (1.80)	49.56 (1.95)	10.62 (0.42)	21.67 (0.85)	54.61 (2.15)	56.13 (2.21)	46.99 (1.85)

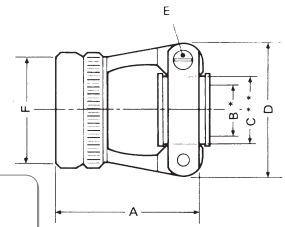
HOW TO ORDER

SAE-85049 designation - Backshells for LJT (MIL-DTL-38999 Series I/HE308) and TV/CTV (MIL-DTL-38999 Series III), SC39 and RNJ LP connectors

Series	M85049/	49-2	12	W
Type of strain relief				
49-2:				
47:				
38:				
39:				
Size of backshell				
08-10-12-14-16-18-20-22-24				
09-11-13-15-17-19-21-23-25				
Finish				
W:				
N:				

JT STRAIN RELIEFS

JT strain reliefs suitable for JT (MIL-DTL-38999 Series II) connectors.



Size	A max mm (in)	Ø B* mm (in)	Ø C* mm (in)	D ^{+0.3} mm (in)	F Thread UNEF-2B
08	23.88 (0.940)	3.18 (0.125)	6.35 (0.250)	19.05 (0.750)	.4375-28
10	23.88 (0.940)	4.78 (0.188)	7.92 (0.312)	20.62 (0.812)	.5625-24
12	23.88 (0.940)	7.92 (0.312)	11.13 (0.438)	23.83 (0.938)	.6875-24
14	30.23 (1.190)	9.53 (0.375)	14.27 (0.562)	26.97 (1.062)	.8125-20
16	30.23 (1.190)	12.70 (0.500)	15.88 (0.625)	28.58 (1.125)	.9375-20
18	30.23 (1.190)	15.88 (0.625)	19.05 (0.750)	34.93 (1.375)	1.0625-18
20	30.23 (1.190)	15.88 (0.625)	19.05 (0.750)	34.93 (1.375)	1.1875-18
22	33.40 (1.315)	19.05 (0.750)	23.83 (0.938)	39.67 (1.562)	1.3125-18
24	33.40 (1.315)	20.32 (0.800)	25.40 (1.000)	42.06 (1.656)	1.4375-18

*B: seal inner diameter
**C: clamp inner diameter

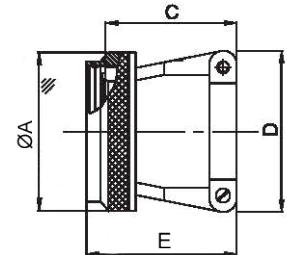
HOW TO ORDER

Amphenol designation – Backshells for JT (MIL-DTL-38999 Series II) connectors

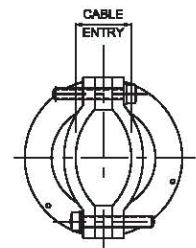
Series	JT	SRD	12	014
Type of backshell	SRD: straight cable clamp			
Size of backshell	08-10-12-14-16-18-20-22-24 (same as connector size)			
Finish	014: olive-drab cadmium plating 023: electroless nickel plating			

SJT STRAIN RELIEFS

SJT strain reliefs suitable for SJT (VG 96912) connectors.



Size	ØA max mm (in)	C max mm (in)	D max mm (in)	E max mm (in)	Cable entry mm (in)	
					min	max
08	19.05 (0.750)	23.11 (0.910)	21.59 (0.850)	27.94 (1.100)	2.49 (0.098)	5.94 (0.234)
10	21.59 (0.850)	23.11 (0.910)	22.86 (0.900)	27.94 (1.100)	3.89 (0.153)	5.94 (0.234)
12	25.40 (1.000)	25.65 (1.010)	27.94 (1.100)	30.48 (1.200)	4.83 (0.190)	8.33 (0.328)
14	27.94 (1.100)	26.92 (1.060)	29.21 (1.150)	31.75 (1.250)	6.60 (0.260)	11.61 (0.457)
16	31.75 (1.250)	29.46 (1.160)	33.02 (1.300)	34.44 (1.356)	7.19 (0.283)	15.60 (0.614)
18	35.56 (1.400)	35.81 (1.410)	38.10 (1.500)	40.64 (1.600)	8.26 (0.325)	16.10 (0.634)
20	38.10 (1.500)	38.35 (1.510)	40.64 (1.600)	43.21 (1.701)	8.71 (0.343)	17.73 (0.698)
22	41.91 (1.650)	42.16 (1.660)	43.18 (1.700)	46.99 (1.850)	9.68 (0.381)	20.90 (0.823)
24	44.45 (1.750)	44.70 (1.760)	45.72 (1.800)	49.56 (1.951)	10.62 (0.418)	21.67 (0.853)



HOW TO ORDER

Amphenol designation - Backshells for SJT (VG96912)

Series	BS1	SR	M	12	99	9	X	W
Type of backshell	SR: straight cable clamp with spin coupling							
Connector group	M: SJT							
Size of backshell	08-10-12-14-16-18-20-22-24 (same as connector size)							
Entry size	99: standard							
Length	9: standard							
Constant	X							
Finish	W: olive-drab cadmium plating N: electroless nickel plating							

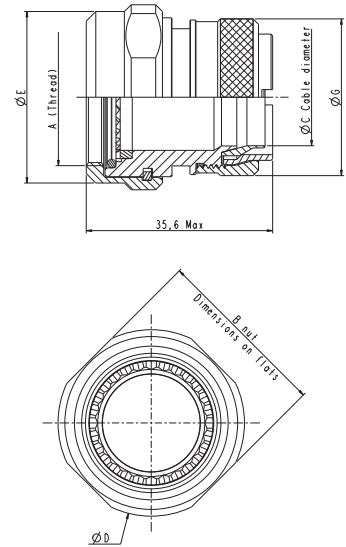
BACKSHELLS FOR SHIELDING

NSA and SA backsells ensure the shielding by clamping the braid with a screwing system. The free inner ring avoids twisting of the braid during screwing.

LJT NSA & TV NSA

LJT NSA (HE308-13) suitable for LJT (MIL-DTL-38999 Series I / HE308), RNJ (HE308) and SJT (VG96912) connectors.
TV NSA suitable for TV-CTV (MIL-DTL-38999 Series III), SC39 and RNJ LP connectors.

Size	LJT	TV	B max mm (in)	Ø C max mm (in)	Ø D max mm (in)	Ø E max mm (in)	Ø G max mm (in)
	A Thread UNEF-2B	A Thread Metric					
09	.4375-28	M12 x 1.0 - 6H	17 (0.669)	6.9 (0.272)	19.1 (0.752)	15.2 (0.598)	16.5 (0.650)
11	.5625-24	M15 x 1.0 - 6H	21 (0.827)	9.6 (0.378)	23.1 (0.909)	18.2 (0.717)	19.4 (0.764)
13	.6875-24	M18 x 1.0 - 6H	26 (1.024)	12.7 (0.500)	28.1 (1.106)	21.2 (0.835)	22.6 (0.890)
15	.8125-20	M22 x 1.0 - 6H	29 (1.142)	14.8 (0.583)	31.1 (1.224)	25.1 (0.988)	25.8 (1.016)
17	.9375-20	M25 x 1.0 - 6H	32 (1.260)	17.9 (0.705)	34.1 (1.343)	28.1 (1.106)	29.0 (1.142)
19	1.0625-18	M28 x 1.0 - 6H	36 (1.417)	19.9 (0.784)	38.1 (1.500)	31.1 (1.224)	32.0 (1.260)
21	1.1875-18	M31 x 1.0 - 6H	39 (1.535)	23.1 (0.909)	41.1 (1.618)	34.1 (1.343)	35.2 (1.386)
23	1.3125-18	M34 x 1.0 - 6H	42 (1.654)	26.2 (1.032)	44.1 (1.736)	36.9 (1.453)	38.4 (1.512)
25	1.4375-18	M37 x 1.0 - 6H	45 (1.772)	28.8 (1.134)	49.1 (1.933)	39.9 (1.571)	41.5 (1.634)



HOW TO ORDER

Amphenol designation - Backshells for LJT (MIL-DTL-38999 Series I / HE308), RNJ (HE308) and SJT (VG96912) connectors

HE 308 military designation - Backshells for HE308 (LJT / MIL-DTL-38999 Series I / RNJ) connectors

Series LJT NSA 11 014 -

Type of backshell
NSA: screened clamping braid backshell accepting heat shrink moulded piece

Size of backshell 09-11-13-15-17-19-21-23-25
 for LJT connectors: same as connector size
 for SJT (G)06 and 00 connectors: add 1 on your connector size
 for SJT07 sizes 8 to 22 connectors: add 3 on your connector size
 Consult us for SJT07 size 24 connector

Finish
014: olive-drab cadmium plating
023: electroless nickel plating
024: green zinc cobalt plating
033K: black zinc nickel plating

Deviation
F428: backshells for SJT connectors only

Series HE308 13 15 7 M

Type of backshell
13: screened clamping braid backshell heat shrink moulded piece

Size of backshell 09-11-13-15-17-19-21-23-25
 (same as connector size)

Finish
07: olive-drab cadmium plating
06: electroless nickel plating

Military standard

Amphenol designation – Backshells for TV-CTV (MIL-DTL-38999 Series III), SC39 and RNJ LP connectors

Series TV NSA 11 014

Type of backshell
NSA: screened clamping braid backshell accepting heat shrink moulded piece

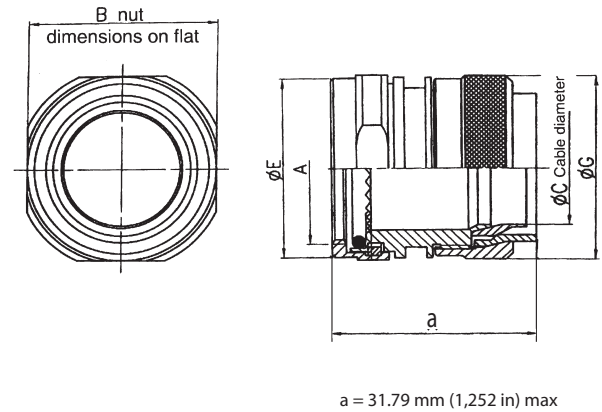
Size of backshell 09-11-13-15-17-19-21-23-25 (same as connector size)

Finish
014: olive-drab cadmium plating
023: electroless nickel plating
024: green zinc cobalt plating
033K: black zinc nickel plating

JT SA

JT SA suitable for JT (MIL-DTL-38999 Series II) connectors.

Size	A Thread UNEF-2B	B max mm (in)	Ø C max mm (in)	Ø E max mm (in)	Ø G max mm (in)
08	.4375-28	16.70 (0.658)	6.90 (0.272)	15.20 (0.598)	16.40 (0.646)
10	.5625-24	20.70 (0.815)	9.60 (0.378)	18.40 (0.724)	19.53 (0.769)
12	.6875-24	22.70 (0.894)	12.70 (0.500)	21.60 (0.850)	22.60 (0.890)
14	.8125-20	25.70 (1.012)	14.80 (0.583)	24.80 (0.976)	25.80 (1.016)
16	.9375-20	28.70 (1.130)	17.90 (0.705)	28.00 (1.102)	28.80 (1.134)
18	1.0625-18	31.70 (1.248)	19.90 (0.784)	31.00 (1.221)	31.80 (1.252)
20	1.1875-18	35.70 (1.406)	23.10 (0.909)	34.20 (1.347)	33.87 (1.334)
22	1.3125-18	38.70 (1.524)	26.20 (1.032)	37.40 (1.472)	36.90 (1.453)
24	1.4375-18	41.70 (1.642)	28.80 (1.134)	40.60 (1.598)	41.52 (1.635)



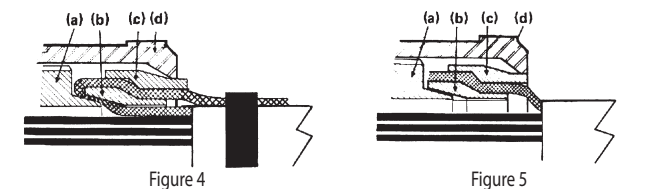
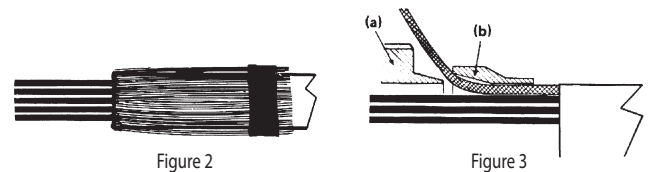
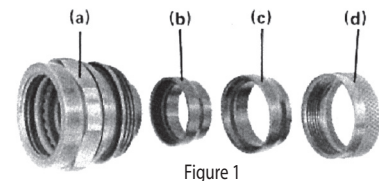
HOW TO ORDER

Amphenol designation – Backshells for JT (MIL-DTL-38999 Series II) connectors

Series	JT	SA	12	014
Type of backshell				
SA: screened clamping braid backshell accepting heat shrink moulded piece				
Size of backshell 08-10-12-14-16-18-20-22-24 (same as connector size)				
Finish				
014: olive-drab cadmium plating				
023: electroless nickel plating				

ASSEMBLY INSTRUCTIONS FOR NSA AND SA BACKSHELLS

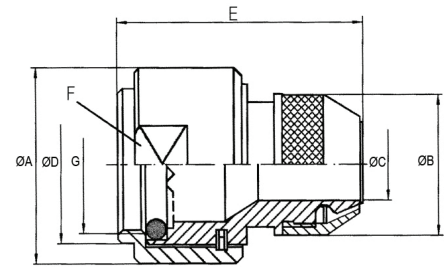
1. Prepare the cable for termination process and slide onto the cable the items in the order shown on figure 1.
2. Screw the backshell at the rear of the connector.
3. Fold back the braid on the outer jacket and fix it (figure 2)
4. Install the braid as shown on figures 3 and 4: Release the braid and cover the backshell (a) and the connector's shell. Slide the first ring (b) over the braid. Fold back the braid on the ring (b) and slide the second ring (c) over the braid and the first ring (b). Screw the last ring (d) at the rear of the backshell. If necessary, fix the extra braid on the outer jacket of the cable. If this installation (double folding of the braid) is not possible, refer to figure 5: Slide the first ring (b). Release the braid and cover the backshell (a) and the connector's shell. Cut the braid as shown. Slide the second ring (c) over the braid and the first ring (b). Screw the last ring at the rear of the backshell.
5. Install the heat-shrink moulded piece.



OTHER BACKSHELLS FOR SHIELDING

LJT SQ

LJT SQ suitable for SJT (VG96912) connectors.
 SQ backshells ensure the shielding by clamping the braid with a screwing system.
 For straight or right angled heat shrink moulded pieces, please refer to page 22.
 Possibility to order under **VG96912LXX** designation (only olive-drab cadmium version).



Size	Ø A ^{+0.2} mm (in)	Ø B ^{+0.3} mm (in)	Ø C ^{+0.2} mm (in)	Ø D max mm (in)	E max mm (in)	F ⁰ mm (in)	G Thread UNEF-2B
08	19.00 (0.748)	14.00 (0.551)	6.20 (0.244)	16.00 (0.630)	30.00 (1.181)	17.00 (0.670)	7/16-28
10	22.00 (0.867)	16.00 (0.630)	7.00 (0.276)	19.00 (0.748)	30.00 (1.181)	20.00 (0.787)	9/16-24
12	25.00 (0.984)	18.00 (0.709)	9.50 (0.374)	22.00 (0.867)	30.00 (1.181)	23.00 (0.906)	11/16-24
14	28.00 (1.102)	22.00 (0.867)	12.50 (0.492)	25.10 (0.988)	33.00 (1.300)	26.00 (1.024)	13/16-20
16	30.00 (1.181)	25.00 (0.984)	15.50 (0.610)	28.30 (1.114)	33.00 (1.300)	28.00 (1.102)	15/16-20
18	34.00 (1.339)	28.00 (1.102)	18.50 (0.728)	31.30 (1.232)	34.00 (1.339)	32.00 (1.260)	11/16-18
20	38.00 (1.496)	32.00 (1.260)	21.50 (0.846)	34.50 (1.358)	36.00 (1.417)	36.00 (1.417)	13/16-18
22	43.00 (1.693)	34.00 (1.339)	23.50 (0.925)	37.70 (1.484)	36.00 (1.417)	41.00 (1.614)	15/16-18
24	45.00 (1.772)	38.00 (1.496)	27.5 (1.083)	40.80 (1.606)	36.00 (1.417)	43.00 (1.693)	17/16-18

ASSEMBLY INSTRUCTIONS FOR SQ BACKSHELLS

1. Prepare the cable for termination process.
2. Screw the backshell at the rear of the connector.
3. Install the braid as shown on figure 1: Release the braid and cover the backshell conus. Maintain the braid on the conus with a small diameter wire in the groove. Fold back the braid on itself and cut it as shown. Screw the ring over the braid without twisting it.
4. Install the heat-shrink moulded piece.

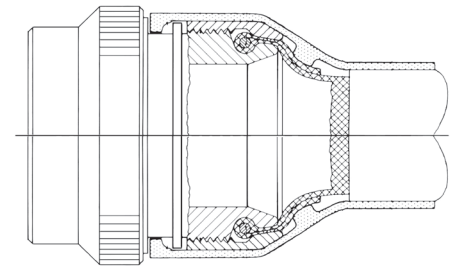


Figure 1

HOW TO ORDER

Amphenol designation - Backshells for SJT (VG96912) connectors

Series	LJT	SQ	11	014	-
Type of backshell					
SQ: simple screened clamping braid backshell accepting heat shrink moulded piece					
Size of backshell 09-11-13-15-17-19-21-23-25					
for LJT connectors: same as connector size					
for SJT (G)06 and 00 connectors: add 1 on your connector size					
for SJT07 sizes 8 to 22 connectors: add 3 on your connector size					
Consult us for SJT07 size 24 connector					
Finish					
014: olive-drab cadmium plating					
023: electroless nickel plating					
Deviation					
F428: backshells for SJT connectors only					

LJT NSB

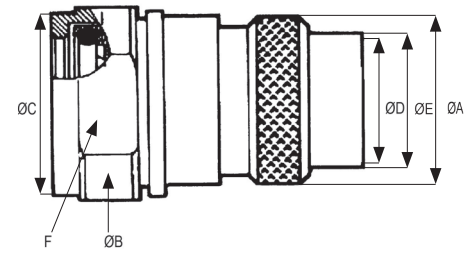
LJT NSB suitable for LJT (MIL-DTL-38999 Series I / HE308), RNJ (HE308) connectors.

NSB backshells ensure the shielding by a tinned rear part to allow soldering of the braid. For straight or right angled heat shrink moulded pieces, please refer to page 22.



Size	Ø A mm (in)	Ø B ±0.2 mm (in)	Ø C max mm (in)	Ø D* min mm (in)	Ø E max mm (in)	F** max mm (in)
9	12.60 (0.496)	20.00 (0.787)	16.00 (0.630)	7.80 (0.307)	9.50 (0.374)	16.80 (0.661)
11	16.40 (0.646)	23.00 (0.906)	19.00 (0.748)	10.80 (0.425)	12.50 (0.492)	20.80 (0.819)
13	20.00 (0.787)	26.00 (1.024)	22.00 (0.866)	13.10 (0.516)	15.50 (0.610)	22.80 (0.898)
15	22.00 (0.866)	29.00 (1.142)	25.10 (0.988)	16.30 (0.642)	18.50 (0.728)	25.80 (1.016)
17	24.60 (0.969)	32.00 (1.260)	28.30 (1.114)	19.00 (0.748)	21.50 (0.847)	28.80 (1.134)
19	27.50 (1.083)	35.00 (1.378)	31.30 (1.232)	21.70 (0.854)	24.00 (0.945)	31.80 (1.252)
21	31.90 (1.256)	39.00 (1.536)	34.50 (1.358)	24.90 (0.980)	27.00 (1.063)	35.80 (1.409)
23	35.00 (1.378)	42.00 (1.654)	37.70 (1.484)	28.10 (1.106)	30.50 (1.201)	38.80 (1.528)
25	38.80 (1.528)	45.00 (1.772)	40.80 (1.606)	31.20 (1.228)	33.50 (1.319)	41.80 (1.646)

* max permissible cable outside diameter
 ** dimension over the flats (4 flats)



ASSEMBLY INSTRUCTIONS FOR NSB BACKSHELLS

1. Prepare the cable for termination process.
2. Screw the backshell at the rear of the connector.
3. Fold back the braid on the outer jacket and fix it. (figure 1)
4. Install the braid as shown of figure 2: if possible, protect the conductors with an insulating tube or tape (e) inserted between them and the backshell. Free the braid and fit it over the tinned collar (f) on the back end and cut it to length. Bind the braid (g). Solder the braid.
5. Install the heat-shrink moulded piece.



Figure 1

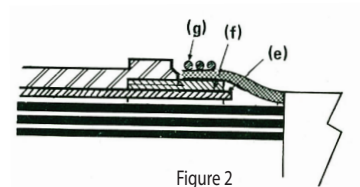


Figure 2

HOW TO ORDER

Amphenol designation - Backshells for LJT (MIL-DTL-38999 Series I / HE308) and RNJ (HE308) connectors

Series	LJT	NSB	11	014
Type of backshell				
NSB: screened soldering braid backshell accepting heat shrink moulded piece				
Size of backshell 09-11-13-15-17-19-21-23-25 (same as connector size)				
Finish				
014: olive-drab cadmium plating				
023: electroless nickel plating				

BAND BACKSHELLS FOR SHIELDING

These band backsHELLS provide a full 360° shield termination. They are available with different cabling chamber lengths and exit diameters. The use of replaceable bands facilitates future maintenance or reparability. Sealing is ensured by straight or right angled heat shrink moulded piece at the rear of backshell.

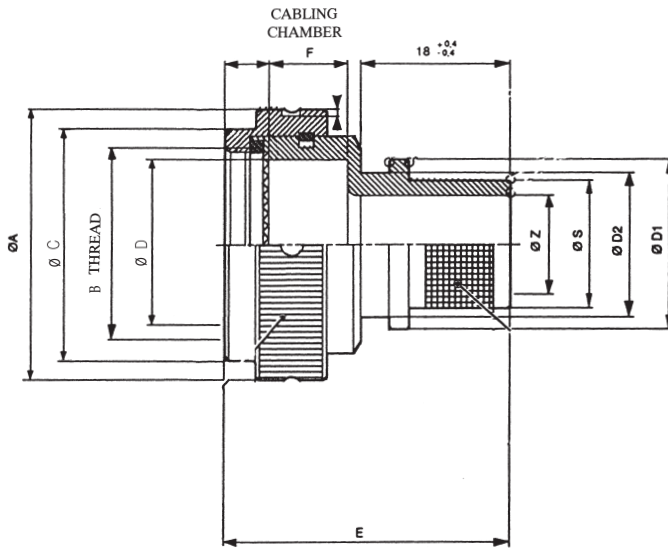
HE308-35 AND TV35 BACKSHELLS

HE308-35 suitable for LJT (MIL-DTL-38999 Series I / HE308), RNJ (HE308) connectors.

TV35 suitable for TV-CTV (MIL-DTL-38999 Series III), SC39 and RNJ LP connectors.

TVB35 suitable for TV bronze connectors.

These straight band backsHELLS provide a full 360° shield termination with a quick, easy and cost effective cabling process. For straight or right angled heat shrink moulded pieces, please refer to page 22.



Size	HE308-35				TV35/TVB35			
	Ø A max mm (in)	B Thread UNEF-2B	Ø C mm (in)	Ø D mm (in)	Ø A max mm (in)	B Thread Metric	Ø C mm (in)	Ø D mm (in)
09	21.40 (0.843)	0.4375-28	15.20 (0.598)	7.80 (0.307)	24.30 (0.957)	M12 x 1.0-6H	18.00 (0.709)	7.80 (0.307)
11	24.30 (0.957)	0.5625-24	18.40 (0.724)	10.80 (0.425)	27.40 (1.079)	M15 x 1.0-6H	21.00 (0.827)	10.99 (0.433)
13	27.40 (1.079)	0.6875-24	21.60 (0.850)	13.10 (0.516)	31.80 (1.252)	M18 x 1.0-6H	25.00 (0.984)	13.80 (0.543)
15	31.80 (1.252)	0.8125-20	24.80 (0.976)	16.30 (0.642)	35.00 (1.378)	M22 x 1.0-6H	28.00 (1.102)	16.30 (0.642)
17	35.00 (1.378)	0.9375-20	28.00 (1.102)	19.50 (0.768)	38.10 (1.500)	M25 x 1.0-6H	30.80 (1.213)	20.10 (0.791)
19	38.10 (1.500)	1.0625-18	31.00 (1.220)	21.70 (0.854)	41.20 (1.622)	M28 x 1.0-6H	34.10 (1.343)	22.93 (0.903)
21	41.20 (1.622)	1.1875-18	34.20 (1.347)	24.90 (0.980)	44.30 (1.744)	M31 x 1.0-6H	36.90 (1.453)	26.00 (1.024)
23	44.30 (1.744)	1.3125-18	37.40 (1.472)	28.10 (1.106)	47.20 (1.858)	M34 x 1.0-6H	39.80 (1.567)	29.28 (1.153)
25	47.20 (1.858)	1.4375-18	40.60 (1.599)	31.20 (1.228)	50.00 (1.969)	M37 x 1.0-6H	43.00 (1.693)	32.45 (1.278)

Size	E max mm	Cabling chamber length F ^{+0.1} mm	Z rear side diameter coding										
			06	08	10	12	14	16	20	24	28	32	36
09	36	10		o	x	o	x	x					
11	36	10		x	x	o	o	x	x				
	41	15	x	x	x	x							
	46	20				x							
	56	30						x	x				
	66	40				x	x						
13	36	10		x	x	o	x	o	x				
	56	30				△		o					
15	36	10		x	x	o	o	x	o	x			
	41	15		x	x	x	x	x					
	56	30							o				
17	36	10				o	o	o	x	o			
	41	20					x	x					
	51	25				o	x						
	56	30						x		o			
19	36	10		x				o		o	x		
	56	30						x		o			
21	36	10					x	x	o	x	o	x	
	46	20					x		△	x			
	51	25					x						
	56	30							△		o		
23	36	10						x		o	x	o	
	56	30								o		o	
25	36	10						x			o		o
	56	30								o			o

x
HE308-35

o
HE308-35 & TV35/TVB35

△
TV35/TVB35

Z rear side diameter	06	08	10	12	14	16	20	24	28	32	36
Ø Z	4.8 (0.189)	6.30 (0.248)	7.80 (0.307)	9.40 (0.370)	11.00 (0.433)	12.60 (0.496)	15.80 (0.622)	19.00 (0.748)	22.10 (0.870)	25.30 (0.996)	28.60 (1.126)
Ø S min/max	7.80/7.9 (0.307/0.311)	9.40/9.50 (0.370/0.374)	11.1/11.2 (0.437/0.440)	12.60/12.70 (0.496/0.500)	14.10/14.30 (0.555/0.563)	15.70/15.90 (0.618/0.626)	18.90/19.10 (0.744/0.752)	22.00/22.20 (0.866/0.874)	25.20/25.40 (0.992/1)	28.40/28.60 (1.118/1.126)	31.50/31.80 (1.240/1.252)
Ø D1 ±0.1	12.40 (0.488)	14.00 (0.551)	15.50 (0.610)	17.10 (0.673)	18.70 (0.736)	20.30 (0.799)	23.50 (0.925)	26.70 (1.051)	29.80 (1.173)	33.00 (1.299)	36.20 (1.425)
Ø D2 ±0.1	9.80 (0.386)	11.40 (0.449)	12.90 (0.508)	14.50 (0.571)	16.10 (0.634)	17.70 (0.697)	20.90 (0.823)	23.10 (0.909)	26.20 (1.032)	29.40 (1.158)	32.60 (1.284)

HOW TO ORDER

HE 308 military designation - Backshells for HE 308 (LJT/ MIL-DTL-38999 Series I / RNJ) connectors

Series HE308 -35 -11 -10 -12 -7 M

Type of backshell
35: band backshell accepting heat shrink moulded piece

Size of backshell 09-11-13-15-17-19-21-23-25 (same as connector size)

Cabling chamber length 10-15-20-25-30-40
Refer above - dimension F

Rear side diameter 06-08-10-12-14-16-20-24-28-32-36
Refer above - dimension Z

Finish
7: olive-drab cadmium plating
6: electroless nickel plating
033K: black zinc nickel plating
Military standard (only for olive-drab cadmium and electroless nickel versions)

Amphenol designation – Backshells for TV-CTV (MIL-DTL-38999 Series III), SC39 and RNJ LP connectors

Series TV 35 11 10 12 014

Type of backshell
35: aluminium straight band backshell accepting heat shrink moulded piece
B35: bronze straight band backshell accepting heat shrink moulded piece

Size of backshell 09-11-13-15-17-19-21-23-25 (same as connector size)

Cabling chamber length 10-20-25-30
Refer above - dimension F

Rear side diameter 06-08-10-12-14-16-20-24-28-32-36
Refer above - dimension Z

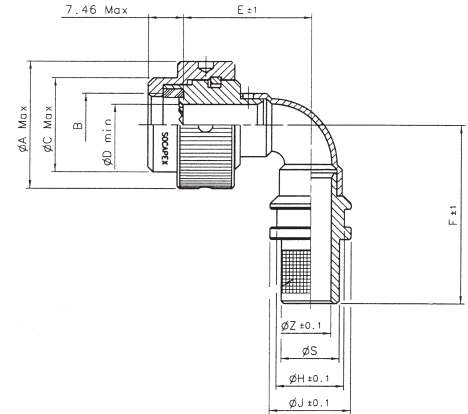
Finish
014: olive-drab cadmium plating
023: electroless nickel plating
024: green zinc cobalt plating
033K: black zinc nickel plating
 Blank for bronze version

SBC BACKSHELLS

LJT SBC suitable for LJT (MIL-DTL-38999 Series I / HE308) and RNJ (HE308) connectors.

TV SBC suitable for TV-CTV (MIL-DTL-38999 Series III), SC39 and RNJ LP connectors.

These right angled band backshells provide a full 360° shield termination with a quick, easy and cost effective cabling process. For right angled heat shrink moulded pieces, please refer to page 22.



Size	LJT SBC only				TV SBC only			
	Ø A max mm (in)	B Thread UNEF-2B	Ø C mm (in)	Ø D mm (in)	Ø A max mm (in)	B Thread Metric	Ø C mm (in)	Ø D mm (in)
09	21.40 (0.843)	0.4375-28	15.20 (0.598)	7.80 (0.307)	24.30 (0.957)	M12 x 1.0-6H	18.00 (0.709)	7.80 (0.307)
11	24.30 (0.957)	0.5625-24	18.40 (0.724)	10.80 (0.425)	27.40 (1.079)	M15 x 1.0-6H	21.00 (0.827)	10.99 (0.433)
13	27.40 (1.079)	0.6875-24	21.60 (0.850)	13.10 (0.516)	31.80 (1.252)	M18 x 1.0-6H	25.00 (0.984)	13.80 (0.543)
15	31.80 (1.252)	0.8125-20	24.80 (0.976)	16.30 (0.642)	35.00 (1.378)	M22 x 1.0-6H	28.00 (1.102)	16.30 (0.642)
17	35.00 (1.378)	0.9375-20	28.00 (1.102)	19.50 (0.768)	38.10 (1.500)	M25 x 1.0-6H	30.80 (1.213)	20.10 (0.791)
19	38.10 (1.500)	1.0625-18	31.00 (1.220)	21.70 (0.854)	41.20 (1.622)	M28 x 1.0-6H	34.10 (1.343)	22.93 (0.903)
21	41.20 (1.622)	1.1875-18	34.20 (1.347)	24.90 (0.980)	44.30 (1.744)	M31 x 1.0-6H	36.90 (1.453)	26.00 (1.024)
23	44.30 (1.744)	1.3125-18	37.40 (1.472)	28.10 (1.106)	47.20 (1.858)	M34 x 1.0-6H	39.80 (1.567)	29.28 (1.153)
25	47.20 (1.858)	1.4375-18	40.60 (1.599)	31.20 (1.228)	50.00 (1.969)	M37 x 1.0-6H	43.00 (1.693)	32.45 (1.278)

Size	E mm (in)	Z rear side diameter		F mm (in)	Ø S mm (in)	Ø H mm (in)	Ø J mm (in)
		Coding 1/32 of Inch	Dimension mm (in)				
09	24.50 (0.965)	10	7.90 (0.311)	34.00 (1.339)	11.10 (0.437)	12.90 (0.508)	15.50 (0.610)
11	28.00 (1.102)	14	11.10 (0.437)	36.50 (1.437)	14.10 (0.555)	16.10 (0.634)	18.10 (0.713)
13	28.00 (1.102)	16	12.60 (0.496)	37.00 (1.457)	15.70 (0.618)	17.70 (0.697)	20.30 (0.799)
15	29.50 (1.161)	20	15.80 (0.622)	39.00 (1.535)	18.90 (0.744)	20.90 (0.823)	23.50 (0.925)
17	31.50 (1.240)	24	19.00 (0.748)	41.00 (1.614)	22.00 (0.866)	23.10 (0.909)	26.70 (1.051)
19	33.00 (1.299)	24	19.00 (0.748)	42.50 (1.673)	22.00 (0.866)	23.10 (0.909)	26.70 (1.051)
21	35.50 (1.398)	28	22.10 (0.870)	45.00 (1.772)	25.20 (0.992)	26.20 (1.032)	29.80 (1.173)
23	44.50 (1.752)	32	25.30 (0.996)	54.00 (2.126)	28.40 (1.118)	29.40 (1.158)	33.00 (1.299)
25	50.50 (1.988)	36	28.60 (1.126)	58.50 (2.303)	31.50 (1.240)	32.60 (1.284)	36.20 (1.425)

HOW TO ORDER

Amphenol designation – Backshells for LJT (LJT/ MIL-DTL-38999 Series I / HE308/ RNJ) connectors

Series	LJT	SBC	11	14	014
Type of backshell	SBC: aluminium right angled band backshell accepting heat shrink moulded piece				
Size of backshell	09-11-13-15-17-19-21-23-25 (same as connector size)				
Rear side diameter	10-14-16-20-24-28-32-36				
	Refer above - dimension Z				
Finish	014: olive-drab cadmium plating 023: electroless nickel plating				

Amphenol designation – Backshells for TV-CTV (MIL-DTL-38999 Series III), SC39 and RNJ LP connectors

Series	TV	SBC	11	14	014
Type of backshell	SBC: aluminium right angled band backshell accepting heat shrink moulded piece				
Size of backshell	09-11-13-15-17-19-21-23-25 (same as connector size)				
Rear side diameter	10-14-16-20-24-28-32-36				
Refer p12 - dimension Z					
Finish	014: olive-drab cadmium plating 023: electroless nickel plating				

ASSEMBLY INSTRUCTIONS FOR HE308-35, TV35 AND SBC BACKSHELLS

1. Prepare the cable for termination process (figure 1).
2. Screw the backshell at the rear of the connector.
3. Push the braid over the backshell to the incline point. Milk the braid as required to remove the slack and insure a snug fit around the shield termination area (figure 2).
4. Prepare the band: Roll the band through the buckle slot twice (the band must be double-coiled). Pull on the band until the mark is within approximately 6.4 mm (.250 in) of the buckle slot (figure 3). The band may be tightened further if desired.
5. Squeeze the gripper release lever of the banding tool and insert the band into the front end opening of the tool as shown on figure 4 (the circular portion of looped band must always face downward).
6. Aligning the band and the tool with the shield termination area, squeeze the black pull-up handle repeatedly using short strokes until it locks against the tool body (this indicates the band is compressed to the tool precalibrated tension).
7. Complete the clamping process by squeezing the grey cut-off handle.
8. Remove the excess band from the tool.
9. Inspect shield termination (figure 5). If the alignment of the band and the shield is unsatisfactory, tension on the band can be relaxed by pushing on the slotted release lever on the top of the tool. Make adjustments as necessary and squeeze again the black pull-up handle.

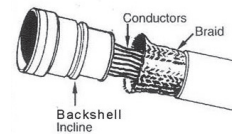


Figure 1

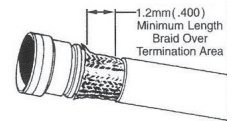


Figure 2

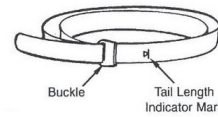


Figure 3



Figure 4

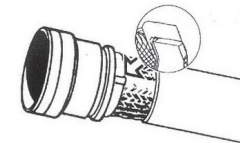


Figure 5



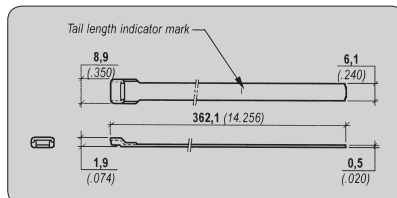
TOOLING AND ACCESSORIES

Coupling tool

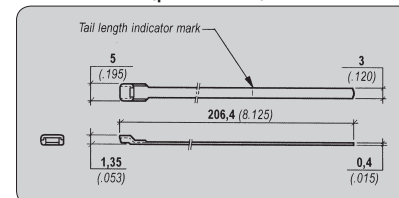
Coupling wrench for HE308-35 and TV(B) 35 backshells: **116.50** (Facom p/n)

Clamping bands

Standard band: **072952**



Micro band (precoiled): **895693**



Hand banding tools

Banding tool for standard band: **809952**

Caution: Tools and bands should never be lubricated

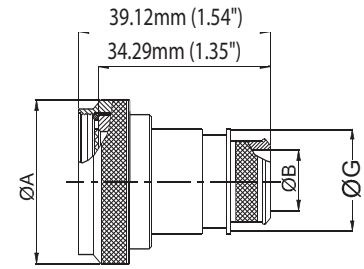
Banding tool for micro band: **809985**

M85049 BAND BACKSHELLS

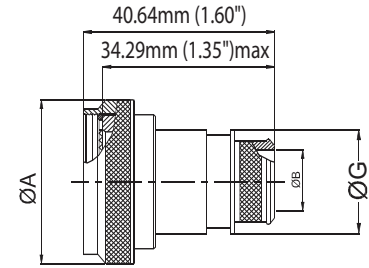
M85049/85 and M85049/87 suitable for LJT (MIL-DTL-38999 Series I / HE308), RNJ (HE308) connectors.

M85049/88 and M85049/90 suitable for TV/CTV (MIL-DTL-38999 Series III), SC39 and RNJLP connectors.

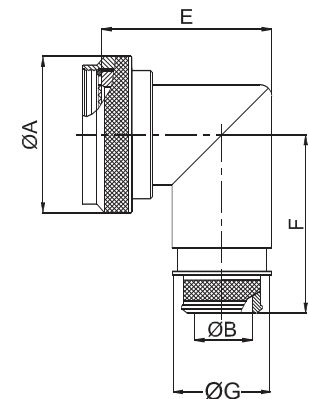
These straight band backsells provide a full 360° shield termination with a quick, easy and cost effective cabling process. For straight or right angled heat shrink moulded pieces, please refer to page 22.



M85049/85



M85049/88



M85049/87 & M85049/90

Size	Entry Size		Ø B ^{-0.5} mm (in)	Ø A max mm (in)	E max mm (in)	F max mm (in)		Ø G max mm (in)
	Coding					LJT	TV	
	for /85 only	for /88/87/90						
09	01	02	N/A	21.82 (0.859)	34.93 (1.375)	35.99 (1.417)	35.99 (1.417)	N/A
	02	03	6.60 (0.260)					14.22 (0.560)
11	01	02	N/A	25.04 (0.986)	36.50 (1.437)	37.59 (1.480)	37.59 (1.480)	N/A
	02	03	8.13 (0.320)					16.00 (0.630)
13	01	02	8.13 (0.320)	29.36 (1.156)	39.67 (1.562)	39.45 (1.553)	39.45 (1.553)	16.00 (0.630)
	02	03	11.43 (0.450)					19.05 (0.750)
15	01	02	11.43 (0.450)	32.54 (1.281)	42.85 (1.687)	41.00 (1.614)	41.00 (1.614)	19.05 (0.750)
	02	03	14.48 (0.570)					22.61 (0.890)
17	01	02	12.95 (0.510)	35.71 (1.406)	44.45 (1.750)	42.62 (1.678)	42.62 (1.678)	20.83 (0.820)
	02	03	16.26 (0.640)					24.13 (0.950)
19	01	02	16.26 (0.640)	38.51 (1.516)	47.63 (1.875)	44.02 (1.733)	45.03 (1.773)	24.13 (0.950)
	02	03	19.30 (0.760)					27.18 (1.070)
21	01	02	16.26 (0.640)	41.68 (1.641)	49.23 (1.938)	45.62 (1.796)	45.62 (1.796)	24.13 (0.950)
	02	03	20.83 (0.820)					28.07 (1.105)
23	01	02	17.78 (0.700)	44.86 (1.766)	52.37 (2.062)	47.22 (1.859)	47.22 (1.859)	25.99 (1.023)
	02	03	24.13 (0.950)					32.00 (1.260)
25	01	02	19.30 (0.760)	48.03 (1.891)	53.98 (2.125)	48.74 (1.919)	48.74 (1.919)	27.18 (1.070)
	02	03	25.65 (1.010)					33.53 (1.320)

HOW TO ORDER

SAE-85049 designation - Backshell for LJT (MIL-DTL-38999 Series I / HE308) or TV/CTV (MIL-DTL-38999 Series III), SC39 and RNJ LP connectors

Series	M85049/	85	09	W	02
Type of backshell					
<i>LJT/HE308:</i>					
85: straight					
87: 90° right angle					
<i>TV:</i>					
88: straight					
90: 90° right angle					
Size of backshell					
08-10-12-14-16-18-20-22-24 for LJT (MIL-DTL-38999 Series I / HE308) and RNJ (HE308) connectors: remove 1 to your connector size					
09-11-13-15-17-19-21-23-25 (same as connector size) for TV-CTV (MIL-DTL-38999 Series III), SC39 and RNJ LP connectors					
Finish					
W: olive-drab cadmium plating					
N: electroless nickel plating					
Entry size 01-02-03					

CONNECTORS WITH INTEGRATED BACKSHELLS

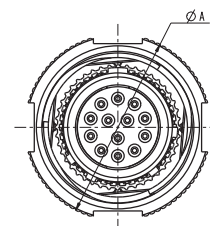
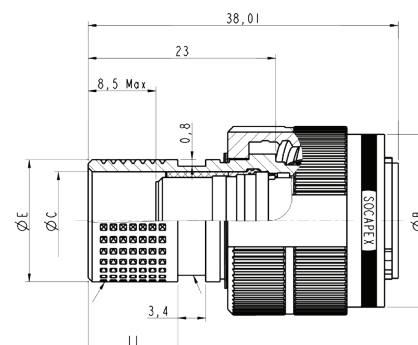
Available on plugs and receptacles, these 2 in 1 connectors/band backsells provide a high EMI protection with a quick, easy and cost effective cabling process. They are low profile, with enhance sealing level and allow the use of macro and micro bands, as well as straight or right angled heat shrink moulded pieces. The design of the shells make them compatible with over moulding process.



INTEGRATED BACKSHELLS FOR TV

Suitable for TV (MIL-DTL-38999 Series III) connectors.

Size	Ø A max mm (in)	Ø B max ^{+0.2} ₀ mm (in)	Ø C mm (in)	Ø E max ^{-0.2} mm (in)
09	21.8 (0.858)	18.4 (0.724)	8.74 (0.344)	12 (0.472)
11	25.0 (0.984)	21.1 (0.831)	11.99 (0.472)	15 (0.591)
13	29.4 (1.157)	25.4 (1.000)	14.88 (0.586)	18 (0.709)
15	32.5 (1.280)	28.7 (1.130)	18.06 (0.711)	22 (0.866)
17	35.7 (1.406)	32.2 (1.268)	21.23 (0.836)	25 (0.984)
19	38.5 (1.516)	34.9 (1.374)	23.93 (0.942)	28 (1.102)
21	41.7 (1.642)	38.1 (1.500)	27.10 (1.067)	31 (1.220)
23	44.9 (1.768)	41.1 (1.618)	30.28 (1.192)	34 (1.339)
25	48.0 (1.890)	44.3 (1.744)	33.45 (1.317)	37 (1.457)



HOW TO ORDER

Amphenol designation - Integrated backshell for TV (MIL-DTL-38999 Series III)

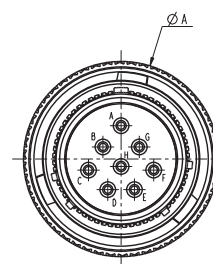
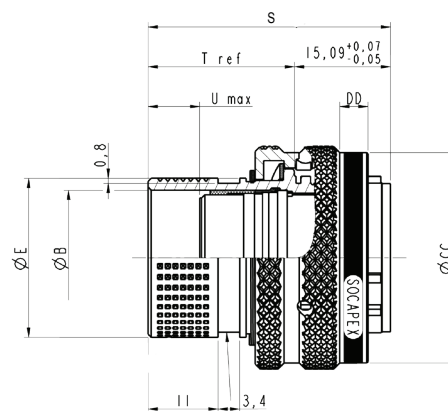
Series	TV	06	RW	11-35	P	A	F472
Shell type straight plug: 175°C: 06 straight plug: 200°C: S06							
Shell material and finish <i>Aluminium</i> RW: olive drab cadmium plated 175°C RF: electroless nickel plated 200°C ZN: black zinc nickel plated 175°C RZ: green zinc cobalt plated 175°C <i>Please consult for bronze and stainless steel versions</i>							
Shell size and contact arrangement See MIL-DTL 38999 Series III catalogue pages 8 to 11							
Contact type P: pin S: socket							
Polarisation blank for normal or A, B, C, D, E							
Deviation F472: connectors with integrated backshell							

Please consult us for receptacles with integrated backshell

INTEGRATED BACKSHELLS FOR LJT

Suitable for LJT (MIL-DTL-38999 Series I / HE308).

Size	Ø A max mm (in)	Ø B mm (in)	Ø CC ^{+0.28 0} mm (in)	DD ^{+1.14 -0.91} mm (in)	Ø E ^{0 -0.2} mm (in)	S mm (in)	T ref mm (in)	U max mm (in)
09	21.82 (0.859)	8.74 (0.344)	19.81 (0.780)	4.06 (0.160)	12 (0.472)	38.09 (1.500)	23 (0.906)	8.5 (0.335)
11	24.99 (0.984)	11.99 (0.472)	22.99 (0.905)		15 (0.591)			
13	29.36 (1.156)	14.88 (0.586)	26.95 (1.061)		18 (0.709)			
15	32.54 (1.281)	18.06 (0.711)	30.12 (1.186)		22 (0.866)			
17	35.71 (1.406)	21.23 (0.836)	33.05 (1.301)		25 (0.984)			
19	38.51 (1.516)	23.93 (0.942)	36.12 (1.422)		26.95 (1.061)			
21	41.68 (1.651)	27.10 (1.067)	39.22 (1.544)		30.12 (1.186)			
23	43.86 (1.727)	30.28 (1.192)	42.34 (1.667)		33.30 (1.311)			
25	48.03 (1.891)	33.45 (1.317)	45.54 (1.793)		36.47 (1.436)			



HOW TO ORDER

Amphenol designation - Integrated backshell for LJT (MIL-DTL-38999 Series I/HE308)

Series	LJT	06	RT	11-35	P	A	014	F472
Shell type	06: straight plug							
Service class and contact style	RT: environmental, crimp contacts							
Shell size and contact arrangement	see MIL-DTL 38999 Series I catalogue pages 7 to 9							
Contact type	P: pin S: socket							
Polarisation	blank for normal or A, B, C, D							
Shell finish	014: olive drab cadmium plating 023: electroless nickel plating 033K: black zinc nickel plating							
Deviation	F472: connectors with integrated backshell							

Please consult for receptacles with integrated backshell

ADAPTERS FOR HEAT SHRINK MOULDED PIECES

NSD BACKSHELLS

LJT NSD (HE308-14) suitable for LJT (MIL-DTL-38999 Series I / HE308) and RNJ (HE308) connectors.

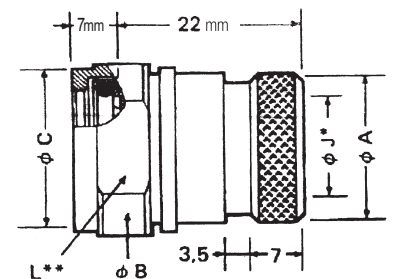
TV NSD suitable for TV-CTV (MIL-DTL-38999 Series III), SC39 and RNJ LP connectors. These backshells ensure the sealing and the mechanical retention of the cable. For straight and right angled heat shrink moulded pieces, please refer to page 22.



Size	Ø A mm (in)	Ø B ±0.2 mm (in)	Ø C max mm (in)	Ø J* min mm (in)	L** max mm (in)
9	12.60 (0.496)	20.00 (0.787)	16.00 (0.630)	7.80 (0.307)	16.80 (0.661)
11	16.40 (0.646)	23.00 (0.906)	19.00 (0.748)	10.80 (0.425)	20.80 (0.819)
13	20.00 (0.787)	26.00 (1.024)	22.00 (0.866)	13.10 (0.516)	22.80 (0.898)
15	22.00 (0.866)	29.00 (1.142)	25.10 (0.988)	16.30 (0.642)	25.80 (1.016)
17	24.60 (0.969)	32.00 (1.260)	28.30 (1.114)	19.00 (0.748)	28.80 (1.134)
19	27.50 (1.083)	35.00 (1.378)	31.30 (1.232)	21.70 (0.854)	31.80 (1.252)
21	31.90 (1.256)	39.00 (1.536)	34.50 (1.358)	24.90 (0.980)	35.80 (1.409)
23	35.00 (1.378)	42.00 (1.654)	37.70 (1.484)	28.10 (1.106)	38.80 (1.528)
25	38.80 (1.528)	45.00 (1.772)	40.80 (1.606)	31.20 (1.228)	41.80 (1.646)

* max permissible cable outside diameter

** dimension over the flats (4 flats)



HOW TO ORDER

Amphenol designation - Backshell for LJT (MIL-DTL-38999 Series I/HE308), RNJ (HE308) connectors

HE 308 military designation - Backshells for HE308 (LJT / MIL-DTL-38999 Series I / RNJ) connectors

Series LJT NSD 11 014

Type of backshell
NSD: backshell for heat shrink moulded piece

Size of backshell 09-11-13-15-17-19-21-23-25
(same as connector size)

Finish
014: olive-drab cadmium plating
023: electroless nickel plating
033K: black zinc nickel plating

Series HE308 14 15 7 M

Type of backshell
NSD: backshell for heat shrink moulded piece

Size of backshell 09-11-13-15-17-19-21-23-25
(same as connector size)

Finish
07: olive-drab cadmium plating
06: electroless nickel plating

Military standard

Amphenol designation - Backshell for TV (MIL-DTL-38999 Series III), SC39 and RNJ LP connectors

Series TV NSD 11 014

Type of backshell
NSD: backshell for heat shrink moulded piece

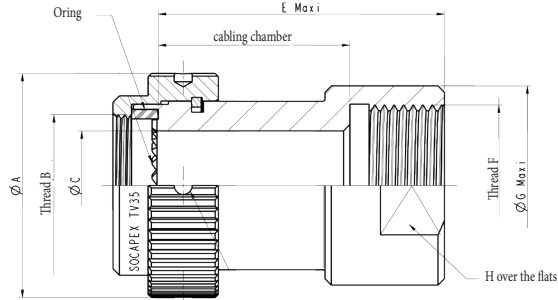
Size of backshell 09-11-13-15-17-19-21-23-25 (same as connector size)

Finish
014: olive-drab cadmium plating
023: electroless nickel plating
033K: black zinc nickel plating

ADAPTERS FOR SEALING GLAND

METRIC SEALING GLAND STRAIGHT VERSION

TV35M suitable for TV-CTV (MIL-DTL-38999 Series III), SC39 and RNJ LP connectors. These backshells ensure the adaptation on metric sealing gland.



Rear side	M16	M20	M25	M32	M40	M50
F Thread metric	M16x1.5	M20x1.5	M25x1.5	M32x1.5	M40x1.5	M50x1.5
Ø G mm (in)	19.6 (0.772)	25.3 (0.996)	31.1 (1.224)	39.1 (1.539)	49.5 (1.949)	63.3 (2.492)
H mm (in)	18 (0.709)	22 (0.866)	27 (1.063)	34 (1.339)	43 (1.693)	55 (2.165)

Size	Ø A mm (in)	B Thread metric	Ø C mm (in)	Cabling chamber					Rear side (Thread)						
				30	40	50	60	80	M16	M20	M25	M32	M40	M50	
09	24.3 (0.957)	M12x1	7.71 (0.304)												
11	27.4 (1.079)	M15x1	10.96 (0.431)												
13	31.8 (1.252)	M18x1	13.85 (0.545)												
15	35 (1.378)	M22x1	17.03 (0.670)												
17	38.1 (1.500)	M25x1	20.20 (0.795)	45 (1.772)	55 (2.165)	45 (1.772)	75 (2.953)	95 (3.740)							
19	41.2 (1.622)	M28x1	22.90 (0.902)												
21	44.3 (1.744)	M31x1	26.07 (1.026)												
23	47.2 (1.858)	M34x1	29.25 (1.152)												
25	50 (1.969)	M37x1	32.42 (1.276)												

For other configurations, please consult us

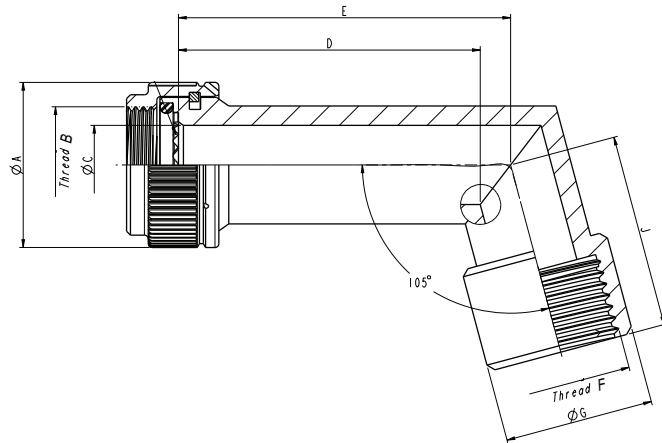
HOW TO ORDER

Amphenol designation - Backshell for TV (MIL-DTL-38999 Series III), SC39 and RNJ LP connectors

Series	TV	35	15	30	M20	023
35: aluminum						
B35: bronze						
Size of backshell	09-11-13-15-17-19-21-23-25 (same as connector size)					
Cabling chamber	30-40-50-60-80					
	Refer above					
Rear side	M16-M20-M25-M32-M40-M50					
	Refer above					
Finish						
014: olive-drab cadmium plating						
023: electroless nickel plating						
033K: black zinc nickel plating						
Blank for bronze version						

METRIC SEALING GLAND 105° ANGLED VERSION

TV105M suitable for TV-CTV (MIL-DTL-38999 Series III), SC39 and RNJ LP connectors. These backshells ensure the adaptation on metric sealing gland.



Rear side	M16	M20	M25	M32	M40	M50	M63
F Thread metric	M16x1.5-6H	M20x1.5-6H	M25x1.5-6H	M32x1.5-6H	M40x1.5-6H	M50x1.5-6H	M63x1.5-6H
Ø G mm (in)	20 (0.787)	24 (0.945)	29 (1.142)	36 (1.417)	44 (1.732)	54 (2.126)	67 (2.638)

Size	Ø A max mm (in)	B Thread metric	Ø C min mm (in)	Cabling chamber D mm (in)	E max mm (in)	J max mm (in)	Rear side (Thread)							
							M16	M20	M25	M32	M40	M50	M63	
11	25.04 (0.986)	M15x1-6H	9.90 (0.390)	35	42.5 (1.673)	35 (1.378)								
13	29.36 (1.156)	M18x1-6H	12.80 (0.504)	40	48.25 (1.900)	35 (1.378)								
15	32.54 (1.281)	M22x1-6H	16.00 (0.630)	50	60.50 (2.382)	35 (1.378)								
17	35.71 (1.406)	M25x1-6H	19.20 (0.756)	55	66.60 (2.622)	36.50 (1.437)								
19	38.51 (1.516)	M28x1-6H	21.40 (0.843)	55	67.80 (2.669)	37 (1.457)								
21	41.68 (1.641)	M31x1-6H	24.60 (0.969)	40	54 (2.126)	38.50 (1.516)								
				60	74 (2.913)	40 (1.575)								
23	44.86 (1.766)	M34x1-6H	27.70 (1.091)	60	74.75 (2.943)	40 (1.575)								
25	48.03 (1.891)	M37x1-6H	30.90 (1.217)	75	91.50 (3.602)	40 (1.575)								

For other configurations, please consult us

HOW TO ORDER

Amphenol designation - Backshell for TV (MIL-DTL-38999 Series III), SC39 and RNJ LP connectors.

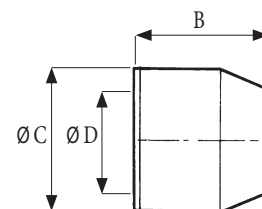
Series	TV	105	15	50	M20	023
105: aluminum						
B105: bronze						
Size of backshell	09-11-13-15-17-19-21-23-25 (same as connector size)					
Cabling chamber	35-40-50-55-60-75					
	Refer above - dimension D					
Rear side	M16-M20-M25-M32-M40-M50-M63					
	Refer above					
Finish						
014: olive-drab cadmium plating						
023: electroless nickel plating						
033K: black zinc nickel plating						
Blank for bronze version						

BACKSHELLS FOR POTTING

These backshells ensure the sealing.

LJT RPD

LJT RPD (HE308-15) suitable for LJT (MIL-DTL-38999 Series I / HE308) and RNJ (HE308) connectors.



Size	A Thread UNEF-2B	B max mm (in)	Ø C mm (in)	Ø D mm (in)
09	.4375-28	20.06 (0.790)	14.80 (0.583)	8.30 (0.327)
11	.5625-24	20.06 (0.790)	18.00 (0.709)	11.30 (0.445)
13	.6875-24	20.06 (0.790)	21.10 (0.831)	14.20 (0.559)
15	.8125-20	20.06 (0.790)	24.30 (0.957)	17.30 (0.681)
17	.9375-20	20.06 (0.790)	27.50 (1.083)	20.50 (0.807)
19	1.0625-18	20.06 (0.790)	30.70 (1.209)	23.10 (0.909)
21	1.1875-18	21.56 (0.849)	33.90 (1.335)	26.30 (1.035)
23	1.3125-18	21.56 (0.849)	37.00 (1.457)	29.40 (1.158)
25	1.4375-18	20.86 (0.821)	40.20 (1.583)	32.60 (1.284)

HOW TO ORDER

Amphenol designation - Backshells for LJT (MIL-DTL-38999 Series I / HE308) and RNJ (HE308) connectors

Series	LJT	RPD	11	014
Type of backshell				
RPD: straight backshell for potting				
Size of backshell 09-11-13-15-17-19-21-23-25 (same as connector size)				
Finish				
014: olive-drab cadmium plating				
023: electroless nickel plating				

HE 308 military designation - Backshells for HE308 (LJT / MIL-DTL-38999 Series I / RNJ) connectors

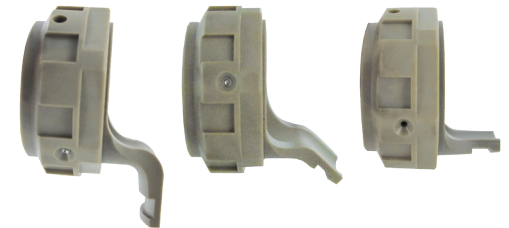
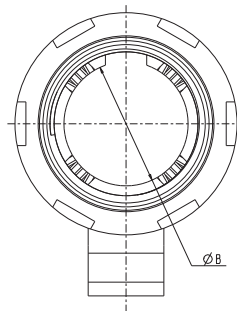
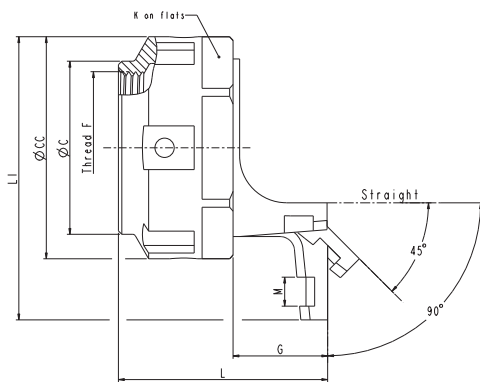
Series	HE308	15	15	7	M
Type of backshell					
15: straight backshell for potting					
Size of backshell 09-11-13-15-17-19-21-23-25 (same as connector size)					
Finish					
07: olive-drab cadmium plating					
06: electroless nickel plating					
Military standard					

COMPOSITE BACKSHELLS

CTV35/ABS2216

CTV35/ABS2216 suitable for TV/CTV (MIL-DTL-38999 Series III/EN3645) connectors:

- Light weight solution
- Quick and easy installation
- Handling temperature from -65°C to 200°C
- Anti-decoupling system to withstand shocks and vibrations in harsh environment



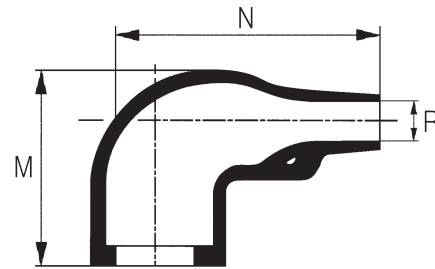
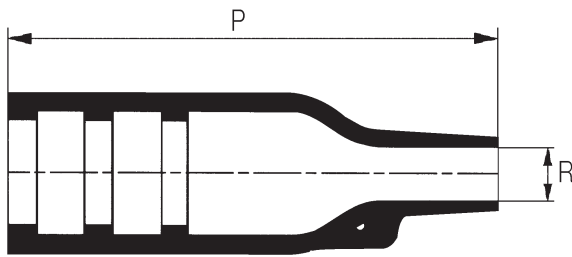
Size	ØB ^{0-0.1} mm (in)	ØC Max mm (in)	ØCC max mm (in)	Thread F	G max mm (in)			K ^{0-0.2} mm (in)	L max mm (in)			L I Max mm (in)			M ^{+0.2} mm (in)
					droit	45°	90°		droit	45°	90°	droit	45°	90°	
09	8.47 (0.333)	15.24 (0.600)	21.79 (0.858)	M12x1.0+6H R0.100	16 (0.630)	21 (0.827)	17 (0.669)	19.05 (0.750)	40 (1.575)	37 (1.457)	32.5 (1.280)	21.76 (0.858)	26 (1.024)	/	3.2 (0.126)
11	12.07 (0.475)	18.21 (0.717)	24.99 (0.984)	M15x1.0-6H R0.100			15 (0.591)	22.23 (0.875)				24.99 (0.984)	30 (1.181)	40 (1.575)	3.2 (0.126)
13	14.96 (0.714)	21.18 (0.834)	29.39 (1.157)	M18x1.0-6H R0.100			15 (0.591)	25.4 (1.000)				29.39 (1.157)	33 (1.299)	40 (1.575)	4.2 (0.165)
15	18.14 (0.714)	25.14 (0.990)	32.46 (1.279)	M22x1.0-6H R0.100			15 (0.591)	28.58 (1.125)				32.49 (1.279)	36 (1.417)	50 (1.969)	4.2 (0.165)
17	21.21 (0.835)	28.12 (1.107)	35.71 (1.406)	M25x1.0-6H R0.100			15 (0.591)	31.75 (1.250)				35.71 (1.406)	39 (1.535)	50 (1.969)	4.2 (0.165)
19	24 (0.945)	31.09 (1.224)	38.5 (1.516)	M28x1.0-6H R0.100			15 (0.591)	34.93 (1.375)				38.5 (1.516)	42 (1.654)	50 (1.969)	4.2 (0.165)
21	27.08 (1.066)	34.06 (1.341)	41.7 (1.642)	M31x1.0-6H R0.100			15 (0.591)	38.1 (1.500)				41.7 (1.642)	45 (1.772)	60 (2.362)	4.2 (0.165)
23	30.35 (1.195)	36.9 (1.453)	44.91 (1.768)	M34x1.0-6H R0.100			15 (0.591)	41.28 (1.625)				44.91 (1.768)	48 (1.890)	60 (2.362)	5.4 (0.213)

HOW TO ORDER

Amphenol and ABS designation - Backshells for TV/CTV (MIL-DTL-38999 Series III / EN3645) connectors

Series	ABS2216 or CTV35	A	11	W
Type of backshell				
A: straight backshell				
B: 45° backshell				
C: 90° backshell				
Size of backshell 09-11-13-15-17-19-21-23-25 (same as connector size)				
EMI protection				
W: EMI shielding backshell (delivered with 200 mm metallic braid)				
P: non-EMI shielding backshell				

HEAT-SHRINK MOULDED PIECES



Heat-shrink moulded piece p/n		M max mm (in)	N ±10% mm (in)	P ±10% mm (in)	Ø R mm (in)	
Straight	Right angled	After total heating			Before heating (max)	After heating (min cable Ø)
		804221	804231	25.40 (1.000)	25.00 (0.984)	38.40 (1.512)
804222	804232	27.20 (1.071)	32.00 (1.260)	54.90 (2.161)	30.00 (1.181)	6.00 (0.236)
804223	804233	30.50 (1.201)	39.40 (1.551)	66.80 (2.630)	31.00 (1.220)	7.10 (0.280)
804225	804235	38.00 (1.496)	46.00 (1.811)	80.00 (3.150)	36.00 (1.417)	8.50 (0.335)
804227	804237	45.00 (1.772)	55.00 (2.165)	99.10 (3.902)	43.00 (1.693)	10.00 (0.394)
804229	804239	54.00 (2.126)	80.00 (3.150)	130.00 (5.118)	60.00 (2.362)	16.00 (0.630)

Standard heat-shrink moulded pieces (semi-rigid polyolefin – without any adhesive)

Size	Backshell type	Rear size coding	Straight			Right angled		
			Amphenol Socapex p/n	Raychem p/n	Hellerman p/n	Amphenol Socapex p/n	Raychem p/n	Hellerman p/n
9	NSA, NSB, NSD	-	804221	202K121-3	152-42-G	804231	222K121-3	1152-4-G
	HE308-35, TV35, TVB35, SBC	08	804221	202K121-3	152-42-G	804231	222K121-3	1152-4-G
11	NSA, NSB, NSD	-	804222	202K132-3	154-42-G	804232	222K132-3	1154-4-G
	HE308-35, TV35, TVB35, SBC	12	804222	202K132-3	154-42-G	804232	222K132-3	1154-4-G
13	NSA, NSB, NSD	-	804223	202K142-3	155-42-G	804233	222K142-3	1155-4-G
	HE308-35, TV35, TVB35, SBC	12	804222	202K132-3	154-42-G	804232	222K132-3	1154-4-G
		16	804223	202K142-3	155-42-G	804233	222K142-3	1155-4-G
		-	804225	202K153-3	156-42-G	804235	222K152-3	1156-4-G
15	NSB, NSD	-	804223	202K142-3	155-42-G	804233	222K142-3	1155-4-G
	HE308-35, TV35, TVB35, SBC	14	804222	202K132-3	154-42-G	804232	222K132-3	1154-4-G
		20	804225	202K153-3	156-42-G	804235	222K152-3	1156-4-G
		-	804227	202K163-3	157-43-G	804237	222K163-3	1157-4-G
17	NSA	-	804225	202K153-3	156-42-G	804235	222K152-3	1156-4-G
	HE308-35, TV35, TVB35, SBC	12	804222	202K132-3	154-42-G	804232	222K132-3	1154-4-G
		16	804223	202K142-3	155-42-G	804233	222K142-3	1155-4-G
		24	804225	202K153-3	156-42-G	804235	222K152-3	1156-4-G
		-	804227	202K163-3	157-43-G	804237	222K163-3	1157-4-G
19	NSB, NSD	-	804225	202K153-3	156-42-G	804235	222K152-3	1156-4-G
	HE308-35, TV35, TVB35, SBC	16	804223	202K142-3	155-42-G	804233	222K142-3	1155-4-G
		24	804225	202K153-3	156-42-G	804235	222K152-3	1156-4-G
		-	804227	202K163-3	157-43-G	804237	222K163-3	1157-4-G
21	NSA, NSB, NSD	-	804227	202K163-3	157-43-G	804237	222K163-3	1157-4-G
	HE308-35, TV35, TVB35, SBC	14	804222	202K132-3	154-42-G	804232	222K132-3	1154-4-G
		20	804225	202K153-3	156-42-G	804235	222K152-3	1156-4-G
		28	804227	202K163-3	157-43-G	804237	222K163-3	1157-4-G
23	NSA, NSB, NSD	-	804229	202K174-3	158-43-G	804239	222K174-3	1158-4-G
	HE308-35, TV35, TVB35, SBC	24	804225	202K153-3	156-42-G	804235	222K152-3	1156-4-G
		32	804227	202K163-3	157-43-G	804237	222K163-3	1157-4-G
25	NSA, NSB, NSD	-	804229	202K174-3	158-43-G	804239	222K174-3	1158-4-G
	HE308-35, TV35, TVB35, SBC	28	804227	202K163-3	157-43-G	804237	222K163-3	1157-4-G
		36	804229	202K174-3	158-43-G	804239	222K174-3	1158-4-G

TORQUES VALUES FOR REAR ACCESSORIES

According to the SAE-85049 standard

For LJT / RNJ / HE308 / MIL-DTL-38999 I connectors		For JT / MIL-DTL-38999 II connectors		For TV-CTV / MIL-DTL-38999 III / EN3645 connectors			For SJT / VG96912 connectors	
Shell size	Torque value (N.m) ± 0.5	Shell size	Torque value (N.m) ± 0.5	Shell size	Metal torque value (N.m) ± 0.5	Composite torque value (N.m) ± 0.5	Shell size	Torque value (N.m) ± 0.5
09	4.5	08	4.5	09	6.8	4.5	08	4.5
11	4.5	10	4.5	11	9.0	4.5	10	4.5
13	4.5	12	4.5	13	12.6	4.5	12	4.5
15	4.5	14	4.5	15	13.6	4.5	14	4.5
17	4.5	16	4.5	17	13.6	4.5	16	4.5
19	4.5	18	4.5	19	13.6	4.5	18	4.5
21	9.0	20	9.0	21	15.8	9.0	20	9.0
23	9.0	22	9.0	23	15.8	9.0	22	9.0
25	9.0	24	9.0	25	15.8	9.0	24	9.0

According to the ABS2216 standard

Shell size	Torque value (N.m)
09	2.75 (± 0.25)
11	2.75 (± 0.25)
13	3 (± 0.5)
15	5 (± 0.5)
17	5 (± 0.5)
19	5 (± 0.5)
21	7 (± 0.5)
23	7 (± 0.5)
25	7 (± 0.5)

CROSS REFERENCES

The cross references below are given as information only. The designs of the backshells are not strictly equivalent

Amphenol P/N	NFC UTE 93422 / HE308 P/N	SAE-85049 P/N	VG96912 P/N
LJT NSA xx 014	HE308 13 xx 7M		
LJT NSA xx 023	HE308 13 xx 6M		
LJT NSD xx 014	HE308 14 xx 7M	M85049/62-xx W	
LJT NSD xx 023	HE308 14 xx 6M	M85049/62-XX N	
LJT RPD xx 014	HE308 15 xx 7M	M85049/58-xx + M85049/75-xx-1	
LJT RPD xx 023	HE308 15 xx 6M		
LJTSBC xx xx 014		M85049/87-xx W xx	
LJTSBC xx xx 023		M85049/87-xx N xx	
LJT SQ xx 014 F428			VG96912 L xx
HE308-35-xx-xx-xx-7M	HE308-35-xx-xx-xx-7M	M85049/85-xx W xx	
HE308-35-xx-xx-xx-6M	HE308-35-xx-xx-xx-6M	M85049/85-xx N xx	
JT SRD xx 014		M85049/49-2-xx W	
JT SRD xx 023		M85049/49-2-xx N	
TV 35 xx xx xx 014		M85049/88-xx W xx	
TV 35 xx xx xx 023		M85049/88-xx N xx	
TVSBC xx xx 014		M85049/90-xx W xx	
TVSBC xx xx 023		M85049/90-xx N xx	

Amphenol in the world

Amphenol Socapex

948, promenade de l'Arve BP29
74311 Thyez Cedex - France
Phone: +33 (0)4 50 89 28 00
contact@amphenol-socapex.fr
www.amphenol-socapex.com

 [www.twitter.com/AmphenolSocapex](https://twitter.com/AmphenolSocapex)
 www.linkedin.com/company/amphenol-socapex

Other Amphenol Sales contacts in Europe

Amphenol Air LB
10 rue champ Raymond
08110 Carignan - France
Phone: +33 (0)1 49 05 30 00

Amphenol AIR LB GmbH
Am Kleinbahnhof 4
66740 Saarlouis - Germany
Phone: +49 6831 981 00

Amphenol TUCHEL ELECTRONICS
August-Haesser-Str. 10
D-74080 Heilbronn - Germany
Phone: +49 7131 929 00

Amphenol BENELUX
Zadkinestraat 26
Almere, 1328 NN - The Netherlands
Phone: +31 651 296835

Amphenol LIMITED
Thanet Way, Whitstable
Kent, CT53JF - United Kingdom
Phone: +44 1227 773 200

Amphenol ITALY
Via Barbaiana n.5
20020 Lainate - Milano - Italy
Phone: +39 293 254 214

Amphenol IBERICA
Edificio Burgosol, Oficina nr 55 - Comunidad de Madrid, 35-bis Las Rozas (Madrid) - Spain
Phone: +34 91 640 73 06

Amphenol NORDIC
Phone: +46 702 129 200 (Mil/Aero)
+46 76-790 95 60 (Industrial)

Amphenol AUSTRIA & CEE
Wiener Gasse 68
2380 Perchtoldsdorf
Phone: +43 699 10396071

Amphenol POLAND
Lwowska 8/16 ,
53-516 Wroclaw - Poland
Phone: +48 513017157

Amphenol SWITZERLAND & SOUTH CENTER
Switzerland, Slovenia, Serbia, Montenegro, Yugoslavia, Greece, Bulgaria
948, promenade de l'Arve BP29
74311 Thyez Cedex - France
Phone: +33 (0)4 50 89 28 40

Amphenol Sales contacts in Asia

Amphenol DAESHIN
558 SongNae-Dong SoSa-Gu, Bucheon-city, Kyunggi-Do
Korea 420-130
Phone: +81-32 610 3830/3845

Amphenol EAST ASIA LTD.
No.72, Bendemeer Road,
#03-32/33, Luzerne
Singapore 339941
Phone: +65 6294 2128

Amphenol INTERCONNECT INDIA PRIVATE LIMITED
105 Bhosari Industrial Area - Pune 411 026 - India
Phone: +91 20 3068 8304

Amphenol PCD CO. LTD
Building 21, 1st Liao Keng Industrial Zone, Shi Yan Street
Bao An District, Shenzhen 518108
China
Phone: +86 755 8173 8000/8286

Amphenol JAPAN
471-1, Deba, Ritto-City, Shiga 520 3041 - Japan
Phone: +81 77 553 8501

Amphenol Sales contacts in North America

Amphenol PCD
72 Cherry Hill Drive - Beverly, MA. 01915 - USA
Phone: +1 978 624 3400

Amphenol FIBER SYSTEM INT.
1300 Central Expwy N, Suite 100
Allen, TX 75013 - USA
Phone: +1 214 547 2400

Amphenol AEROSPACE OPERATIONS
40-60 Delaware street - Sidney, NY 13838-1395 - USA
Phone: +1 607 563 5011

Amphenol BACKPLANE SYSTEMS
18 Celina avenue - Nashua, NH 03063 - USA
Phone: +1 603 883 5100

Amphenol CANADA CORPORATION
605 Milner avenue - Toronto, Ontario - Canada - M1B 5X6
Phone: +1 416 291 4401

Amphenol Sales contacts in Other Areas

Amphenol ARGENTINA
Av. Callao 930 2do piso Oficina B "Plaza" C1023 - AAP
Buenos Aires - Argentina
Phone: +54 11 4815 6886

Amphenol AUSTRALIA PTY LIMITED
2 Fiveways Blvd., Keysborough - Melbourne
Victoria 3173- Australia
Phone: +61 3 8796 8888

Amphenol DO BRAZIL
Rua Diogo Moreira, 132, 20 andar, rooms 2001-2-3
CEP: 05423-010 Sao Paulo SP - Brazil
Phone: +55 11 3815 1003

Bar-Tec Ltd., ISRAEL
3 Hagavish Street, K fir-Barkan Bldg. East Industrial
Zone - Kfar-Sava, 44102 - Israel
Phone: +972 9 764 4100

Amphenol MEXICO
Prolongacion Reforma 61-6 B2
Col Paseo de las Lomas - C.P. 013130 Mexico
Phone: +52 55 5258 9984

Amphenol RUSSIA
Yaroslavskaja Street 8,
129164 Moscow - Russia
Phone: +7 495 937 6341

Amphenol AFRICA
30 Impala Rd,
Sandton 2146, South Africa
Tel: +27 82 410 5179

Amphenol TURKEY
Sun Plaza 15 Kat: 15 Maslak Hah. Bilim
Sok. No.5
Sisli/Istanbul, 34398 - Turkey
Phone: +90 212 367 92 19

www.amphenol-socapex.com

For Technical Support, please contact us:
+33 (0)4 50 89 28 49
www.amphenol-socapex.com/technical_support

*The information given in this document are as a guideline only.
We reserve the right to modify our products in any way we deem necessary.
Any duplication is prohibited, unless approved in writing.
Designed by Amphenol Socapex*

July 2014

Your local Contact:

DOC-000022-ANG-D

X-ON Electronics

Largest Supplier of Electrical and Electronic Components

Click to view similar products for [Circular MIL Spec Strain Reliefs & Adapters](#) category:

Click to view products by [Amphenol](#) manufacturer:

Other Similar products are found below :

[896227-000](#) [899170S004](#) [0113-023-000](#) [6000-063-0022](#) [CS6624-000](#) [620AB038Z136](#) [620AS001Z108](#) [620AS038Z112](#) [620AS038Z120](#)
[620AS038Z132](#) [620FB038NF08](#) [620HA038NF09](#) [620HA038NF11](#) [620HA038NF13](#) [620HA038NF25](#) [620HB049NF17](#) [620HS038NF11](#)
[620HS038Z121](#) [620HS042XM19](#) [620HS042XM25](#) [620HS048B17](#) [620MS064NF12](#) [620MS065Z107](#) [620MS065ZNU06](#) [627-123NF21-11](#)
[627-125NF23-6](#) [630J041M06H](#) [630J041M20H](#) [637S010NF0212H](#) [637S010NF0416A](#) [640830-000](#) [659943-000](#) [66241-10A](#) [CW0597-000](#)
[CW0598-000](#) [CW0948-000](#) [CY0122-000](#) [M85049/41-6A W/B](#) [M85049/42-12DS](#) [M85049/47N8](#) [M85049/51-1-14S](#) [M85049/51S16S](#)
[M85049/60-1N16](#) [M85049/60-2G12W](#) [M85049/69-11N](#) [CZ3661-000](#) [D02922-000](#) [70.360.1628.0](#) [703797-000](#) [705825-000](#)