

DIMENSION TABLE :-

SR. NO.	MIL PART. NO. (FOR CADMIUM)	MIL PART. NO. (FOR NICKEL)	SHELL SIZE	'A'	'B'	'C'	'D'	'E'	'F'	'G'	'H'	'L' ±0.80
1	M85049/48-2-1F	M85049/48-2-1N	1	31.06	13.08	25.12	10.31	17.17	3.56	26.95	9.12	9.53
				30.30	12.32	24.87		16.41	2.79	25.43	8.36	
2	M85049/48-2-2F	M85049/48-2-2N	2	39.26	13.08	33.45	10.31	25.37	3.56	26.95	9.12	9.53
				38.51	12.32	33.20		24.61	2.79	25.43	8.36	
3	M85049/48-2-3F	M85049/48-2-3N	3	53.16	13.08	47.17	15.06	38.86	5.13	27.74	9.12	9.53
				52.40	12.32	46.91		38.10	4.37	26.21	8.36	
4	M85049/48-2-4F	M85049/48-2-4N	4	69.42	13.08	63.63	18.25	55.52	6.73	27.74	9.12	12.70
				68.66	12.32	63.37		54.76	5.97	26.21	8.36	
5	M85049/48-2-5F	M85049/48-2-5N	5	67.06	15.85	61.24	20.62	53.54	8.31	27.74	11.51	15.88
				66.29	15.09	60.99		52.78	7.54	26.21	10.74	

5	21/08/14
4	20/08/14
3	20/03/13
2	18/03/13
Issue No.	Rev. Date.

ALL DIM'S ARE IN MM

D-SUB RECTANGULAR BACKSHELL
(09 TO 50 PIN) WITH T-CLAMP

Scale 2:1	Dwg. No. C-80414	Drawn by. <i>Ramesh</i>
		Date 15/03/13

Amphenol
Amphenol Interconnect India Pvt. Ltd.
PUNE-411026

ORDERING INFORMATION:-

M85049 / 48 - 2 - 1 F

SERIES NO. _____

BACKSHELL _____

FIGURE _____

SHELL SIZE (1,2,3,4,5) _____

FINISH _____

MATERIAL & FINISH :

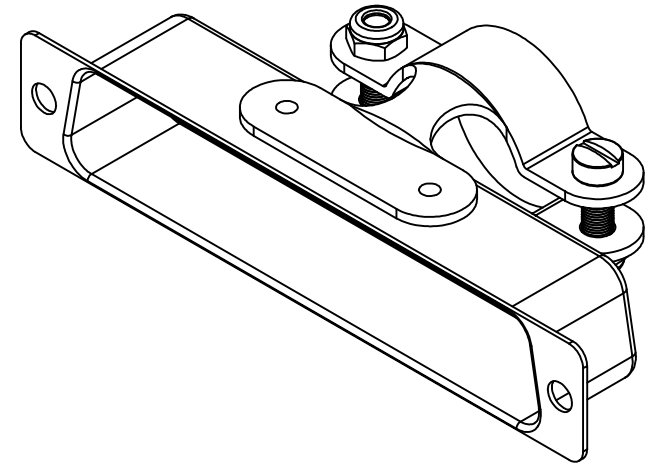
1. SHELL - STEEL AS PER NFA 37-501
2. CLAMP - STEEL AS PER NFA 37-501
3. SCREW - SS 303 OR 304
4. NYLOC NUT - SS 303 OR 304

FINISH :-

1. F - CADMIUM PLATING WITH YELLOW PASSIVATION
2. N - ELECTROLESS NICKEL PLATING.

NOTES:-

1. SCREW & NYLOCK NUT WILL BE SUPPLIED LOOSE WITH BACKSHELL.



ALL DIM'S ARE IN MM

D-SUB RECTANGULAR BACKSHELL
(09 TO 50 PIN) WITH T-CLAMP

Scale 2:1	Dwg. No. C-80414	Drawn by. <i>Ramesh</i>	Date 15/03/13
--------------	----------------------------	----------------------------	------------------

Amphenol

Amphenol Interconnect India Pvt. Ltd.
PUNE-411026

X-ON Electronics

Largest Supplier of Electrical and Electronic Components

Click to view similar products for [D-Sub Backshells](#) category:

Click to view products by [Amphenol](#) manufacturer:

Other Similar products are found below :

[600X51137X](#) [600X54009X](#) [66241-12A](#) [M85049/6-38N](#) [M85049/86-12N03](#) [M85049/90-13P03](#) [70.350.0636.4](#) [70.350.2435.1](#) [72.350.1035.2](#)
[72.352.2435.1](#) [73.359.4035.3](#) [829472-1](#) [PCS-E20W](#) [970-015-040R011](#) [971-009-030R121](#) [971-009-040R011](#) [971-015-040R011](#) [DPH-B-003](#)
[1437013-9](#) [1484402-8](#) [156-3025-EX](#) [16-500800](#) [165X02659X](#) [165X03399A](#) [165X10259X](#) [165X11359X](#) [165X11689X](#) [165X11759X](#)
[165X11889X](#) [165X11899X](#) [165X13019X](#) [165X13029X](#) [165X13169X](#) [165X13199X](#) [165X13239X](#) [165X13389X](#) [165X13489X](#)
[165X14219X](#) [165X14429X](#) [165X14449X](#) [165X17409X](#) [165X17439X](#) [165X17569X](#) [165X17599X](#) [165X17609X](#) [165X17979X](#) [L171373](#)
[971-025-030R121](#) [300X10989X](#) [165X02609X](#)