

# ENVIRONMENTAL EMI / RFI BACKSHELL



Both individual and overall shieldings can be terminated in this type in addition to the cable sealing as possible in the Environmental Backshell. It is an ideal choice for heavy duty cabling solutions in harsh environment situations where electromagnetic and radio frequency noises are to be isolated.

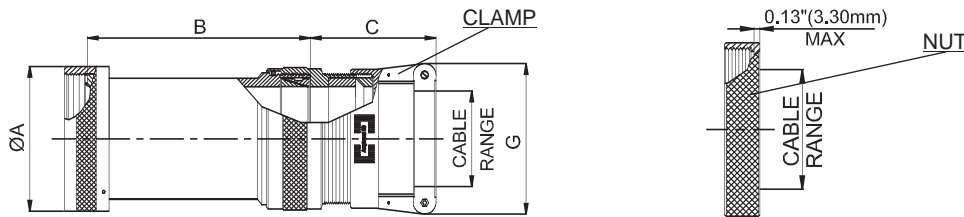
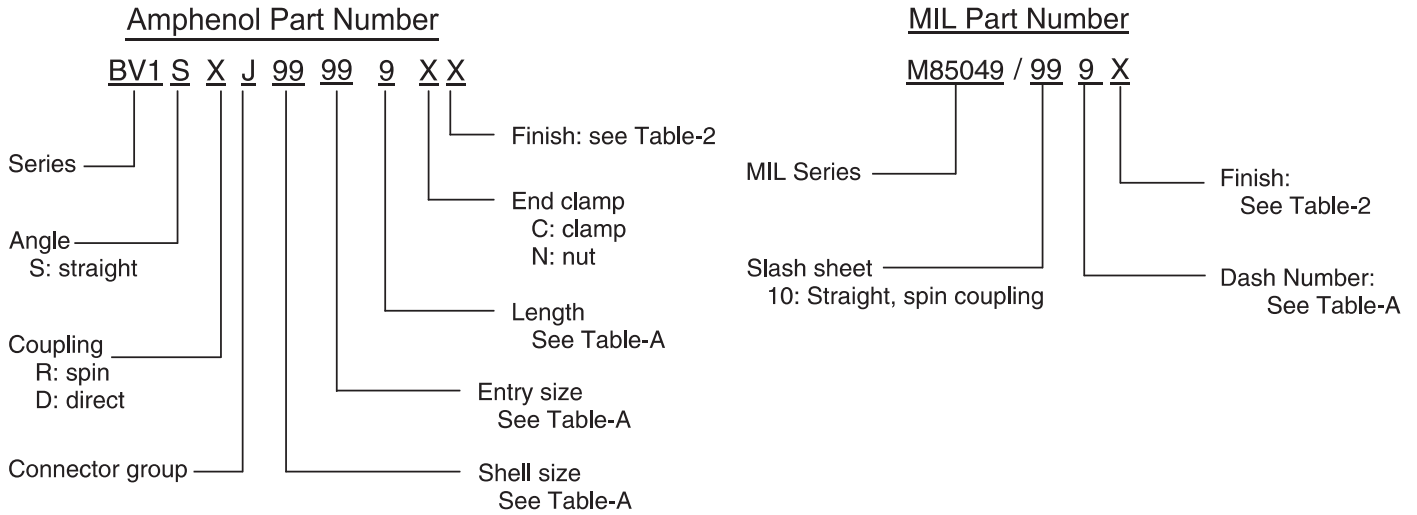
| For Connector Group |   | Page No.      |
|---------------------|---|---------------|
| J                   | → | IV-1 - IV-8   |
| K                   | → | IV-9 - IV-13  |
| L                   | → | IV-14 - IV-20 |
| M                   | → | IV-21 - IV-26 |
| N                   | → | IV-27 - IV-32 |

**Note:** For Connector group Identification refer Table 1 - A, B, C, D (Page 7-11) and for Material / Plating Finish, Refer Table-2 (Page 12)



### Connector Group - J

### Straight



NOTE: \* For more cable entry and length options, contact factory

| AMPHENOL PART NUMBER DESIGNATOR |            | MIL PART NUMBER DESIGNATOR | CONNECTOR SHELL SIZE | A DIA. (MAX) |       | B (MAX) |       | C (REF) |       | G (MAX) |       | CABLE RANGE |      |      |       |       |
|---------------------------------|------------|----------------------------|----------------------|--------------|-------|---------|-------|---------|-------|---------|-------|-------------|------|------|-------|-------|
| SHELL SIZE                      | ENTRY SIZE | LENGTH                     |                      | DASH NO      | INCH  | MM      | INCH  | MM      | INCH  | MM      | INCH  | MM          | MIN  |      | MAX   |       |
|                                 |            |                            |                      |              |       |         |       |         |       |         |       |             | INCH | MM   | INCH  | MM    |
| 08                              | 01         | 1                          | 5                    | 0.62         | 15.67 | 2.13    | 54.10 | 1.54    | 39.22 | 0.96    | 24.31 | 0.13        | 3.18 | 0.25 | 6.35  |       |
|                                 |            | 2                          | 6                    | 0.62         | 15.67 | 3.13    | 79.50 | 1.54    | 39.22 | 0.96    | 24.31 | 0.13        | 3.18 | 0.25 | 6.35  |       |
|                                 | 02         | 1                          | 7*                   | 0.62         | 15.67 | 2.88    | 73.15 | 1.54    | 39.22 | 1.15    | 29.08 | 0.25        | 6.35 | 0.44 | 11.10 |       |
|                                 |            | 2                          | 8*                   | 0.62         | 15.67 | 3.88    | 98.55 | 1.54    | 39.22 | 1.15    | 29.08 | 0.25        | 6.35 | 0.44 | 11.10 |       |
| 10                              | 01         | 1                          | 9                    | 0.73         | 18.64 | 2.13    | 54.10 | 1.54    | 39.22 | 0.96    | 24.31 | 0.13        | 3.18 | 0.31 | 7.92  |       |
|                                 |            | 2                          | 10                   | 0.73         | 18.64 | 3.13    | 79.50 | 1.54    | 39.22 | 0.96    | 24.31 | 0.13        | 3.18 | 0.31 | 7.92  |       |
|                                 | 02         | 1                          | 11*                  | 0.73         | 18.64 | 2.88    | 73.15 | 1.54    | 39.22 | 1.15    | 29.08 | 0.25        | 6.35 | 0.44 | 11.10 |       |
|                                 |            | 2                          | 12*                  | 0.73         | 18.64 | 3.88    | 98.55 | 1.54    | 39.22 | 1.15    | 29.08 | 0.25        | 6.35 | 0.44 | 11.10 |       |
|                                 | 03         | 1                          | 136                  | 0.73         | 18.64 | 2.13    | 54.10 | 1.54    | 39.22 | 1.15    | 29.08 | 0.25        | 6.35 | 0.38 | 9.53  |       |
|                                 |            | 2                          | 137                  | 0.73         | 18.64 | 3.13    | 79.50 | 1.54    | 39.22 | 1.15    | 29.08 | 0.25        | 6.35 | 0.38 | 9.53  |       |
|                                 | 12         | 01                         | 1                    | 13           | 0.86  | 21.79   | 2.13  | 54.10   | 1.54  | 39.22   | 1.15  | 29.08       | 0.25 | 6.35 | 0.44  | 11.10 |
|                                 |            |                            | 2                    | 14           | 0.86  | 21.79   | 3.13  | 79.50   | 1.54  | 39.22   | 1.15  | 29.08       | 0.25 | 6.35 | 0.44  | 11.10 |
| 02                              |            | 1                          | 15*                  | 0.86         | 21.79 | 2.88    | 73.15 | 1.84    | 46.84 | 1.33    | 33.83 | 0.35        | 8.89 | 0.63 | 15.88 |       |
|                                 |            | 2                          | 16*                  | 0.86         | 21.79 | 3.88    | 98.55 | 1.84    | 46.84 | 1.33    | 33.83 | 0.35        | 8.89 | 0.63 | 15.88 |       |
| 03                              |            | 1                          | 111                  | 0.86         | 21.79 | 2.13    | 54.10 | 1.84    | 46.84 | 1.33    | 33.83 | 0.35        | 8.89 | 0.50 | 12.70 |       |
|                                 |            | 2                          | 114                  | 0.86         | 21.79 | 2.13    | 54.10 | 1.54    | 39.22 | 0.96    | 24.31 | 0.13        | 3.18 | 0.31 | 7.92  |       |
| 04                              |            | 1                          | 115                  | 0.86         | 21.79 | 3.13    | 79.50 | 1.54    | 39.22 | 0.96    | 24.31 | 0.13        | 3.18 | 0.31 | 7.92  |       |
|                                 |            | 2                          | 138                  | 0.86         | 21.79 | 2.13    | 54.10 | 1.84    | 46.84 | 1.33    | 33.83 | 0.35        | 8.89 | 0.50 | 12.70 |       |
| 05                              |            | 1                          | 138                  | 0.86         | 21.79 | 2.13    | 54.10 | 1.84    | 46.84 | 1.33    | 33.83 | 0.35        | 8.89 | 0.50 | 12.70 |       |
|                                 |            | 2                          | 139                  | 0.86         | 21.79 | 3.13    | 79.50 | 1.84    | 46.84 | 1.33    | 33.83 | 0.35        | 8.89 | 0.50 | 12.70 |       |

Table Continued

### Connector Group - J

### Straight

TABLE - A

| AMPHENOL PART NUMBER DESIGNATOR |            |        | MIL PART NUMBER DESIGNATOR | CONNECTOR SHELL SIZE | A DIA. (MAX) |        | B (MAX) |        | C (REF) |       | G (MAX) |       | CABLE RANGE |       |      |       |
|---------------------------------|------------|--------|----------------------------|----------------------|--------------|--------|---------|--------|---------|-------|---------|-------|-------------|-------|------|-------|
| SHELL SIZE                      | ENTRY SIZE | LENGTH | DASH NO                    |                      | INCH         | MM     | INCH    | MM     | INCH    | MM    | INCH    | MM    | MIN         |       | MAX  |       |
|                                 |            |        |                            |                      |              |        |         |        |         |       |         |       | INCH        | MM    | INCH | MM    |
| 14                              | 01         | 1      | 17                         | 12/14                | 0.98         | 24.99  | 2.13    | 54.10  | 1.84    | 46.84 | 1.33    | 33.83 | 0.35        | 8.89  | 0.58 | 14.61 |
|                                 |            | 2      | 18                         |                      | 0.98         | 24.99  | 3.13    | 79.50  | 1.84    | 46.84 | 1.33    | 33.83 | 0.35        | 8.89  | 0.58 | 14.61 |
|                                 | 02         | 1      | 19*                        |                      | 0.98         | 24.99  | 2.88    | 73.15  | 1.92    | 48.67 | 1.55    | 39.40 | 0.50        | 12.70 | 0.75 | 19.05 |
|                                 |            | 2      | 20*                        |                      | 0.98         | 24.99  | 3.88    | 98.55  | 1.92    | 48.67 | 1.55    | 39.40 | 0.50        | 12.70 | 0.75 | 19.05 |
|                                 | 03         | 1      | 116                        |                      | 0.98         | 24.99  | 2.13    | 54.10  | 1.54    | 39.22 | 1.15    | 29.08 | 0.25        | 6.35  | 0.44 | 11.10 |
|                                 |            | 2      | 117                        |                      | 0.98         | 24.99  | 3.13    | 79.50  | 1.54    | 39.22 | 1.15    | 29.08 | 0.25        | 6.35  | 0.44 | 11.10 |
|                                 | 04         | 1      | 150                        |                      | 0.98         | 24.99  | 2.13    | 54.10  | 1.54    | 39.22 | 0.96    | 24.31 | 0.13        | 3.18  | 0.31 | 7.92  |
|                                 |            | 2      | 151                        |                      | 0.98         | 24.99  | 3.13    | 79.50  | 1.54    | 39.22 | 0.96    | 24.31 | 0.13        | 3.18  | 0.31 | 7.92  |
| 16                              | 01         | 1      | 21                         | 19/16                | 1.11         | 28.24  | 2.13    | 54.10  | 1.92    | 48.67 | 1.55    | 39.40 | 0.50        | 12.70 | 0.70 | 17.78 |
|                                 |            | 2      | 22                         |                      | 1.11         | 28.24  | 3.13    | 79.50  | 1.92    | 48.67 | 1.55    | 39.40 | 0.50        | 12.70 | 0.70 | 17.78 |
|                                 | 02         | 1      | 23*                        |                      | 1.11         | 28.24  | 2.88    | 73.15  | 2.00    | 50.80 | 1.77    | 44.96 | 0.63        | 15.88 | 0.94 | 23.80 |
|                                 |            | 2      | 24*                        |                      | 1.11         | 28.24  | 3.88    | 98.55  | 2.00    | 50.80 | 1.77    | 44.96 | 0.63        | 15.88 | 0.94 | 23.80 |
|                                 | 03         | 1      | 112                        |                      | 1.11         | 28.24  | 2.13    | 54.10  | 1.54    | 39.22 | 1.15    | 29.08 | 0.25        | 6.35  | 0.44 | 11.10 |
|                                 |            | 2      | 113                        |                      | 1.11         | 28.24  | 3.13    | 79.50  | 1.54    | 39.22 | 1.15    | 29.08 | 0.25        | 6.35  | 0.44 | 11.10 |
|                                 | 04         | 1      | 118                        |                      | 1.11         | 28.24  | 2.13    | 54.10  | 1.84    | 46.84 | 1.33    | 33.83 | 0.35        | 8.89  | 0.63 | 15.88 |
|                                 |            | 2      | 119                        |                      | 1.11         | 28.24  | 3.13    | 79.50  | 1.84    | 46.84 | 1.33    | 33.83 | 0.35        | 8.89  | 0.63 | 15.88 |
|                                 | 05         | 1      | 152                        |                      | 1.11         | 28.24  | 2.13    | 54.10  | 1.54    | 39.22 | 0.96    | 24.31 | 0.13        | 3.18  | 0.31 | 7.92  |
|                                 |            | 2      | 153                        |                      | 1.11         | 28.24  | 3.13    | 79.50  | 1.54    | 39.22 | 0.96    | 24.31 | 0.13        | 3.18  | 0.31 | 7.92  |
| 18                              | 01         | 1      | 25                         | 27/18                | 1.22         | 30.94  | 2.13    | 54.10  | 1.84    | 46.84 | 1.33    | 33.83 | 0.35        | 8.89  | 0.63 | 15.88 |
|                                 |            | 2      | 26                         |                      | 1.22         | 30.94  | 3.13    | 79.50  | 1.84    | 46.84 | 1.33    | 33.83 | 0.35        | 8.89  | 0.63 | 15.88 |
|                                 | 02         | 1      | 27                         |                      | 1.22         | 30.94  | 2.13    | 54.10  | 1.92    | 48.67 | 1.55    | 39.40 | 0.50        | 12.70 | 0.75 | 19.05 |
|                                 |            | 2      | 28                         |                      | 1.22         | 30.94  | 3.13    | 79.50  | 1.92    | 48.67 | 1.55    | 39.40 | 0.50        | 12.70 | 0.75 | 19.05 |
|                                 | 03         | 1      | 29*                        |                      | 1.22         | 30.94  | 2.88    | 73.15  | 2.00    | 50.80 | 1.77    | 44.96 | 0.63        | 15.88 | 0.94 | 23.80 |
|                                 |            | 2      | 30*                        |                      | 1.22         | 30.94  | 3.88    | 98.55  | 2.00    | 50.80 | 1.77    | 44.96 | 0.63        | 15.88 | 0.94 | 23.80 |
|                                 | 04         | 1      | 120                        |                      | 1.22         | 30.94  | 2.13    | 54.10  | 1.54    | 39.22 | 0.96    | 24.31 | 0.13        | 3.18  | 0.31 | 7.92  |
|                                 |            | 2      | 121                        |                      | 1.22         | 30.94  | 3.13    | 79.50  | 1.54    | 39.22 | 0.96    | 24.31 | 0.13        | 3.18  | 0.31 | 7.92  |
|                                 | 05         | 1      | 122                        |                      | 1.22         | 30.94  | 2.13    | 54.10  | 1.54    | 39.22 | 1.15    | 29.08 | 0.25        | 6.35  | 0.44 | 11.10 |
|                                 |            | 2      | 123                        |                      | 1.22         | 30.94  | 3.13    | 79.50  | 1.54    | 39.22 | 1.15    | 29.08 | 0.25        | 6.35  | 0.44 | 11.10 |
| 20                              | 01         | 1      | 31                         | 37/20                | 1.35         | 34.16  | 3.13    | 79.50  | 1.84    | 46.84 | 1.33    | 33.83 | 0.35        | 8.89  | 0.63 | 15.88 |
|                                 |            | 2      | 32                         |                      | 1.35         | 34.16  | 4.13    | 104.90 | 1.84    | 46.84 | 1.33    | 33.83 | 0.35        | 8.89  | 0.63 | 15.88 |
|                                 | 02         | 1      | 33                         |                      | 1.35         | 34.16  | 3.13    | 79.50  | 1.92    | 48.67 | 1.55    | 39.40 | 0.50        | 12.70 | 0.75 | 19.05 |
|                                 |            | 2      | 34                         |                      | 1.35         | 34.16  | 4.13    | 104.90 | 1.92    | 48.67 | 1.55    | 39.40 | 0.50        | 12.70 | 0.75 | 19.05 |
|                                 | 03         | 1      | 35*                        |                      | 1.35         | 34.16  | 3.88    | 98.55  | 2.00    | 50.80 | 1.77    | 44.96 | 0.63        | 15.88 | 0.94 | 23.80 |
|                                 |            | 2      | 36*                        |                      | 1.35         | 34.16  | 4.88    | 123.95 | 2.00    | 50.80 | 1.77    | 44.96 | 0.63        | 15.88 | 0.94 | 23.80 |
|                                 | 04         | 1      | 37*                        |                      | 1.35         | 34.16  | 3.88    | 98.55  | 2.23    | 56.64 | 2.11    | 53.67 | 0.88        | 22.23 | 1.25 | 31.75 |
|                                 |            | 2      | 38*                        |                      | 1.35         | 34.16  | 4.88    | 123.95 | 2.23    | 56.64 | 2.11    | 53.67 | 0.88        | 22.23 | 1.25 | 31.75 |
|                                 | 05         | 1      | 124                        |                      | 1.35         | 34.16  | 3.13    | 79.50  | 1.54    | 39.22 | 1.15    | 29.08 | 0.25        | 6.35  | 0.44 | 11.10 |
|                                 |            | 2      | 125                        |                      | 1.35         | 34.16  | 4.13    | 104.90 | 1.54    | 39.22 | 1.15    | 29.08 | 0.25        | 6.35  | 0.44 | 11.10 |
| 06                              | 1          | 140    | 1.35                       | 34.16                | 3.13         | 79.50  | 2.00    | 50.80  | 1.77    | 44.96 | 0.63    | 15.88 | 0.90        | 22.96 |      |       |
|                                 | 2          | 141    | 1.35                       | 34.16                | 4.13         | 104.90 | 2.00    | 50.80  | 1.77    | 44.96 | 0.63    | 15.88 | 0.90        | 22.96 |      |       |
| 22                              | 01         | 1      | 39                         | 22                   | 1.47         | 37.29  | 3.13    | 79.50  | 1.84    | 46.84 | 1.33    | 33.83 | 0.35        | 8.89  | 0.63 | 15.88 |
|                                 |            | 2      | 40                         |                      | 1.47         | 37.29  | 4.13    | 104.90 | 1.84    | 46.84 | 1.33    | 33.83 | 0.35        | 8.89  | 0.63 | 15.88 |
|                                 | 02         | 1      | 41                         |                      | 1.47         | 37.29  | 3.13    | 79.50  | 1.92    | 48.67 | 1.55    | 39.40 | 0.50        | 12.70 | 0.75 | 19.05 |
|                                 |            | 2      | 42                         |                      | 1.47         | 37.29  | 4.13    | 104.90 | 1.92    | 48.67 | 1.55    | 39.40 | 0.50        | 12.70 | 0.75 | 19.05 |
|                                 | 03         | 1      | 43                         |                      | 1.47         | 37.29  | 3.13    | 79.50  | 2.00    | 50.80 | 1.77    | 44.96 | 0.63        | 15.88 | 0.94 | 23.80 |
|                                 |            | 2      | 44                         |                      | 1.47         | 37.29  | 4.13    | 104.90 | 2.00    | 50.80 | 1.77    | 44.96 | 0.63        | 15.88 | 0.94 | 23.80 |
|                                 | 04         | 1      | 45*                        |                      | 1.47         | 37.29  | 3.88    | 98.55  | 2.23    | 56.64 | 2.11    | 53.67 | 0.88        | 22.23 | 1.25 | 31.75 |
|                                 |            | 2      | 46*                        |                      | 1.47         | 37.29  | 4.88    | 123.95 | 2.23    | 56.64 | 2.11    | 53.67 | 0.88        | 22.23 | 1.25 | 31.75 |
|                                 | 05         | 1      | 126                        |                      | 1.47         | 37.29  | 3.13    | 79.50  | 1.54    | 39.22 | 0.96    | 24.31 | 0.13        | 3.18  | 0.31 | 7.92  |
|                                 |            | 2      | 127                        |                      | 1.47         | 37.29  | 4.13    | 104.90 | 1.54    | 39.22 | 0.96    | 24.31 | 0.13        | 3.18  | 0.31 | 7.92  |
|                                 | 06         | 1      | 128                        |                      | 1.47         | 37.29  | 3.13    | 79.50  | 1.54    | 39.22 | 1.15    | 29.08 | 0.25        | 6.35  | 0.44 | 11.10 |
|                                 |            | 2      | 129                        |                      | 1.47         | 37.29  | 4.13    | 104.90 | 1.54    | 39.22 | 1.15    | 29.08 | 0.25        | 6.35  | 0.44 | 11.10 |
|                                 | 07         | 1      | 142                        |                      | 1.47         | 37.29  | 3.13    | 79.50  | 2.23    | 56.64 | 2.11    | 53.67 | 0.88        | 22.23 | 1.03 | 26.14 |
|                                 |            | 2      | 143                        |                      | 1.47         | 37.29  | 4.13    | 104.90 | 2.23    | 56.64 | 2.11    | 53.67 | 0.88        | 22.23 | 1.03 | 26.14 |

Table Continued

### Connector Group - J

### Straight

| TABLE - A                       |            |        |                            |                      |              |      |         |      |         |       |         |      |             |       |        |    |
|---------------------------------|------------|--------|----------------------------|----------------------|--------------|------|---------|------|---------|-------|---------|------|-------------|-------|--------|----|
| AMPHENOL PART NUMBER DESIGNATOR |            |        | MIL PART NUMBER DESIGNATOR | CONNECTOR SHELL SIZE | A DIA. (MAX) |      | B (MAX) |      | C (REF) |       | G (MAX) |      | CABLE RANGE |       |        |    |
| SHELL SIZE                      | ENTRY SIZE | LENGTH | DASH NO                    |                      | INCH         | MM   | INCH    | MM   | INCH    | MM    | INCH    | MM   | MIN         |       | MAX    |    |
|                                 |            |        |                            |                      |              |      |         |      |         |       |         |      | INCH        | MM    | INCH   | MM |
| 24                              | 01         | 1      | 47                         | 1.59                 | 40.46        | 3.13 | 79.50   | 1.92 | 48.67   | 1.55  | 39.40   | 0.50 | 12.70       | 0.75  | 19.05  |    |
|                                 |            | 2      | 48                         | 1.59                 | 40.46        | 4.13 | 104.90  | 1.92 | 48.67   | 1.55  | 39.40   | 0.50 | 12.70       | 0.75  | 19.05  |    |
|                                 | 02         | 1      | 49                         | 1.59                 | 40.46        | 3.13 | 79.50   | 2.00 | 50.80   | 1.77  | 44.96   | 0.63 | 15.88       | 0.81  | 20.62  |    |
|                                 |            | 2      | 50                         | 1.59                 | 40.46        | 4.13 | 104.90  | 2.00 | 50.80   | 1.77  | 44.96   | 0.63 | 15.88       | 0.81  | 20.62  |    |
|                                 | 03         | 1      | 51                         | 1.59                 | 40.46        | 3.13 | 79.50   | 2.00 | 50.80   | 1.77  | 44.96   | 0.63 | 15.88       | 0.94  | 23.80  |    |
|                                 |            | 2      | 52                         | 1.59                 | 40.46        | 4.13 | 104.90  | 2.00 | 50.80   | 1.77  | 44.96   | 0.63 | 15.88       | 0.94  | 23.80  |    |
|                                 | 04         | 1      | 53*                        | 1.59                 | 40.46        | 3.88 | 98.55   | 2.23 | 56.64   | 2.11  | 53.67   | 0.88 | 22.23       | 1.25  | 31.75  |    |
|                                 |            | 2      | 54*                        | 1.59                 | 40.46        | 4.88 | 123.95  | 2.23 | 56.64   | 2.11  | 53.67   | 0.88 | 22.23       | 1.25  | 31.75  |    |
|                                 | 05         | 1      | 130                        | 1.59                 | 40.46        | 3.13 | 79.50   | 1.84 | 46.84   | 1.33  | 33.83   | 0.35 | 8.89        | 0.63  | 15.88  |    |
|                                 |            | 2      | 131                        | 1.59                 | 40.46        | 4.13 | 104.90  | 1.84 | 46.84   | 1.33  | 33.83   | 0.35 | 8.89        | 0.63  | 15.88  |    |
|                                 | 06         | 1      | 144                        | 1.59                 | 40.46        | 3.13 | 79.50   | 2.23 | 56.64   | 2.11  | 53.67   | 0.88 | 22.23       | 1.14  | 29.06  |    |
|                                 |            | 2      | 145                        | 1.59                 | 40.46        | 4.13 | 104.90  | 2.23 | 56.64   | 2.11  | 53.67   | 0.88 | 22.23       | 1.14  | 29.06  |    |
| 28                              | 01         | 1      | 55                         | 1.97                 | 50.01        | 3.13 | 79.50   | 1.92 | 48.67   | 1.55  | 39.40   | 0.50 | 12.70       | 0.75  | 19.05  |    |
|                                 |            | 2      | 56                         | 1.97                 | 50.01        | 4.13 | 104.90  | 1.92 | 48.67   | 1.55  | 39.40   | 0.50 | 12.70       | 0.75  | 19.05  |    |
|                                 | 02         | 1      | 57                         | 1.97                 | 50.01        | 3.13 | 79.50   | 2.00 | 50.80   | 1.77  | 44.96   | 0.63 | 15.88       | 0.94  | 23.80  |    |
|                                 |            | 2      | 58                         | 1.97                 | 50.01        | 4.13 | 104.90  | 2.00 | 50.80   | 1.77  | 44.96   | 0.63 | 15.88       | 0.94  | 23.80  |    |
|                                 | 03         | 1      | 59                         | 1.97                 | 50.01        | 3.13 | 79.50   | 2.23 | 56.64   | 2.11  | 53.67   | 0.88 | 22.23       | 1.25  | 31.75  |    |
|                                 |            | 2      | 60                         | 1.97                 | 50.01        | 4.13 | 104.90  | 2.23 | 56.64   | 2.11  | 53.67   | 0.88 | 22.23       | 1.25  | 31.75  |    |
|                                 | 04         | 1      | 61                         | 1.97                 | 50.01        | 3.13 | 79.50   | 2.02 | 51.41   | 23.63 | 600.20  | 1.00 | 25.40       | 1.38  | 34.93  |    |
|                                 |            | 2      | 62                         | 1.97                 | 50.01        | 4.13 | 104.90  | 2.02 | 51.41   | 2.36  | 60.02   | 1.00 | 25.40       | 1.38  | 34.93  |    |
| 32                              | 01         | 1      | 63                         | 2.22                 | 56.36        | 3.13 | 79.50   | 2.00 | 50.80   | 1.77  | 44.96   | 0.63 | 15.88       | 0.94  | 23.80  |    |
|                                 |            | 2      | 64                         | 2.22                 | 56.36        | 4.13 | 104.90  | 2.00 | 50.80   | 1.77  | 44.96   | 0.63 | 15.88       | 0.94  | 23.80  |    |
|                                 | 02         | 1      | 65                         | 2.22                 | 56.36        | 3.13 | 79.50   | 2.23 | 56.64   | 2.11  | 53.67   | 0.88 | 22.23       | 12.50 | 317.50 |    |
|                                 |            | 2      | 66                         | 2.22                 | 56.36        | 4.13 | 104.90  | 2.23 | 56.64   | 2.11  | 53.67   | 0.88 | 22.23       | 1.25  | 31.75  |    |
|                                 | 03         | 1      | 67                         | 2.22                 | 56.36        | 3.13 | 79.50   | 2.02 | 51.41   | 2.36  | 60.02   | 1.00 | 25.40       | 1.38  | 34.93  |    |
|                                 |            | 2      | 68                         | 2.22                 | 56.36        | 4.13 | 104.90  | 2.02 | 51.41   | 2.36  | 60.02   | 1.00 | 25.40       | 1.38  | 34.93  |    |
|                                 | 04         | 1      | 69                         | 2.22                 | 56.36        | 3.13 | 79.50   | 2.55 | 64.77   | 2.77  | 70.36   | 1.25 | 31.75       | 1.63  | 41.28  |    |
|                                 |            | 2      | 70                         | 2.22                 | 56.36        | 4.13 | 104.90  | 2.55 | 64.77   | 2.77  | 70.36   | 1.25 | 31.75       | 1.63  | 41.28  |    |
| 36                              | 01         | 1      | 71                         | 2.47                 | 62.71        | 4.13 | 104.90  | 2.23 | 56.64   | 2.11  | 53.67   | 0.88 | 22.23       | 1.25  | 31.75  |    |
|                                 |            | 2      | 72                         | 2.47                 | 62.71        | 5.13 | 130.30  | 2.23 | 56.64   | 2.11  | 53.67   | 0.88 | 22.23       | 1.25  | 31.75  |    |
|                                 | 02         | 1      | 73                         | 2.47                 | 62.71        | 4.13 | 104.90  | 2.02 | 51.41   | 2.36  | 60.02   | 1.00 | 25.40       | 1.38  | 34.93  |    |
|                                 |            | 2      | 74                         | 2.47                 | 62.71        | 5.13 | 130.30  | 2.02 | 51.41   | 2.36  | 60.02   | 1.00 | 25.40       | 1.38  | 34.93  |    |
|                                 | 03         | 1      | 75                         | 2.47                 | 62.71        | 4.13 | 104.90  | 2.55 | 64.77   | 2.77  | 70.36   | 1.25 | 31.75       | 1.63  | 41.28  |    |
|                                 |            | 2      | 76                         | 2.47                 | 62.71        | 5.13 | 130.30  | 2.55 | 64.77   | 2.77  | 70.36   | 1.25 | 31.75       | 1.63  | 41.28  |    |
|                                 | 04         | 1      | 77*                        | 2.47                 | 62.71        | 5.01 | 127.25  | 2.60 | 66.04   | 3.02  | 76.71   | 1.44 | 36.50       | 1.88  | 47.63  |    |
|                                 |            | 2      | 78*                        | 2.47                 | 62.71        | 6.01 | 152.65  | 2.60 | 66.04   | 3.02  | 76.71   | 1.44 | 36.50       | 1.88  | 47.63  |    |
|                                 | 05         | 1      | 132                        | 2.47                 | 62.71        | 4.13 | 104.90  | 1.92 | 48.67   | 1.55  | 39.40   | 0.50 | 12.70       | 0.75  | 19.05  |    |
|                                 |            | 2      | 133                        | 2.47                 | 62.71        | 5.13 | 130.30  | 1.92 | 48.67   | 1.55  | 39.40   | 0.50 | 12.70       | 0.75  | 19.05  |    |
|                                 | 06         | 1      | 146                        | 2.47                 | 62.71        | 4.13 | 104.90  | 2.60 | 66.04   | 3.02  | 76.71   | 1.44 | 36.50       | 1.84  | 46.74  |    |
|                                 |            | 2      | 147                        | 2.47                 | 62.71        | 5.13 | 130.30  | 2.60 | 66.04   | 3.02  | 76.71   | 1.44 | 36.50       | 1.84  | 46.74  |    |
|                                 | 07         | 1      | 148                        | 2.47                 | 62.71        | 4.13 | 104.90  | 2.00 | 50.80   | 1.77  | 44.96   | 0.63 | 15.88       | 0.94  | 23.80  |    |
|                                 |            | 2      | 149                        | 2.47                 | 62.71        | 5.13 | 130.30  | 2.00 | 50.80   | 1.77  | 44.96   | 0.63 | 15.88       | 0.94  | 23.80  |    |
| 40                              | 01         | 1      | 79                         | 2.72                 | 69.06        | 4.13 | 104.90  | 2.23 | 56.64   | 2.11  | 53.67   | 0.88 | 22.23       | 1.25  | 31.75  |    |
|                                 |            | 2      | 80                         | 2.72                 | 69.06        | 5.13 | 130.30  | 2.23 | 56.64   | 2.11  | 53.67   | 0.88 | 22.23       | 1.25  | 31.75  |    |
|                                 | 02         | 1      | 81                         | 2.72                 | 69.06        | 4.13 | 104.90  | 2.02 | 51.41   | 2.36  | 60.02   | 1.00 | 25.40       | 1.38  | 34.93  |    |
|                                 |            | 2      | 82                         | 2.72                 | 69.06        | 5.13 | 130.30  | 2.02 | 51.41   | 2.36  | 60.02   | 1.00 | 25.40       | 1.38  | 34.93  |    |
|                                 | 03         | 1      | 83                         | 2.72                 | 69.06        | 4.13 | 104.90  | 2.55 | 64.77   | 2.77  | 70.36   | 1.25 | 31.75       | 1.63  | 41.28  |    |
|                                 |            | 2      | 84                         | 2.72                 | 69.06        | 5.13 | 130.30  | 2.55 | 64.77   | 2.77  | 70.36   | 1.25 | 31.75       | 1.63  | 41.28  |    |
|                                 | 04         | 1      | 85                         | 2.72                 | 69.06        | 4.13 | 104.90  | 2.60 | 66.04   | 3.02  | 76.71   | 1.44 | 36.50       | 1.88  | 47.63  |    |
|                                 |            | 2      | 86                         | 2.72                 | 69.06        | 5.13 | 130.30  | 2.60 | 66.04   | 3.02  | 76.71   | 1.44 | 36.50       | 1.88  | 47.63  |    |
|                                 | 05         | 1      | 134                        | 2.72                 | 69.06        | 4.13 | 104.90  | 1.92 | 48.67   | 1.55  | 39.40   | 0.50 | 12.70       | 0.75  | 19.05  |    |
|                                 |            | 2      | 135                        | 2.72                 | 69.06        | 5.13 | 130.30  | 1.92 | 48.67   | 1.55  | 39.40   | 0.50 | 12.70       | 0.75  | 19.05  |    |
|                                 | 06         | 1      | 156                        | 2.72                 | 69.06        | 4.13 | 104.90  | 2.00 | 50.80   | 1.77  | 44.96   | 0.63 | 15.88       | 0.94  | 23.80  |    |
|                                 |            | 2      | 157                        | 2.72                 | 69.06        | 5.13 | 130.30  | 2.00 | 50.80   | 1.77  | 44.96   | 0.63 | 15.88       | 0.94  | 23.80  |    |

Table Continued



### Connector Group - J

### Straight

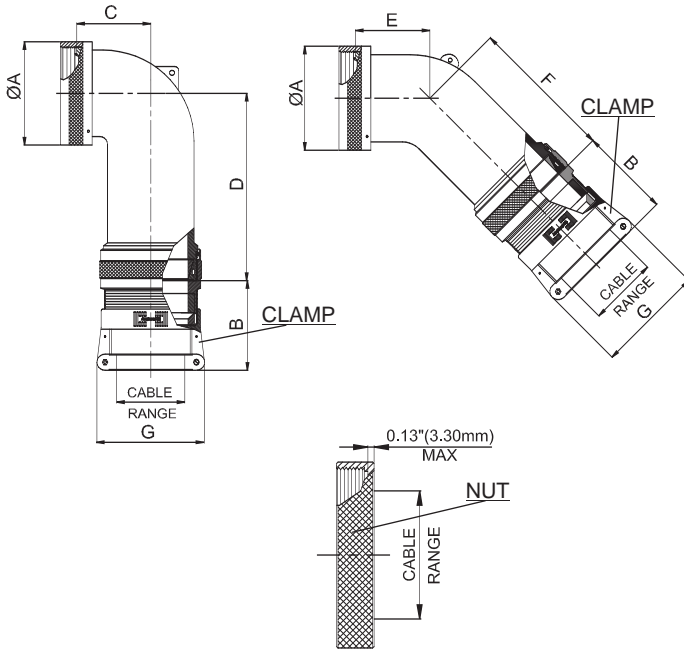
**TABLE - A**

| AMPHENOL PART NUMBER DESIGNATOR |            |        | MIL PART NUMBER DESIGNATOR | CONNECTOR SHELL SIZE | A DIA. (MAX) |       | B (MAX) |        | C (REF) |       | G (MAX) |       | CABLE RANGE |       |      |       |
|---------------------------------|------------|--------|----------------------------|----------------------|--------------|-------|---------|--------|---------|-------|---------|-------|-------------|-------|------|-------|
| SHELL SIZE                      | ENTRY SIZE | LENGTH | DASH NO                    |                      | INCH         | MM    | INCH    | MM     | INCH    | MM    | INCH    | MM    | MIN         |       | MAX  |       |
|                                 |            |        |                            |                      |              |       |         |        |         |       |         |       | INCH        | MM    | INCH | MM    |
| 44                              | 01         | 1      | 87                         | 44                   | 2.97         | 75.41 | 4.13    | 104.90 | 2.23    | 56.64 | 2.11    | 53.67 | 0.88        | 22.23 | 1.25 | 31.75 |
|                                 |            | 2      | 88                         |                      | 2.97         | 75.41 | 5.13    | 130.30 | 2.23    | 56.64 | 2.11    | 53.67 | 0.88        | 22.23 | 1.25 | 31.75 |
|                                 | 02         | 1      | 89                         |                      | 2.97         | 75.41 | 4.13    | 104.90 | 2.02    | 51.41 | 2.36    | 60.02 | 1.00        | 25.40 | 1.38 | 34.93 |
|                                 |            | 2      | 90                         |                      | 2.97         | 75.41 | 5.13    | 130.30 | 2.02    | 51.41 | 2.36    | 60.02 | 1.00        | 25.40 | 1.38 | 34.93 |
|                                 | 03         | 1      | 91                         |                      | 2.97         | 75.41 | 4.13    | 104.90 | 2.55    | 64.77 | 2.77    | 70.36 | 1.25        | 31.75 | 1.63 | 41.28 |
|                                 |            | 2      | 92                         |                      | 2.97         | 75.41 | 5.13    | 130.30 | 2.55    | 64.77 | 2.77    | 70.36 | 1.25        | 31.75 | 1.63 | 41.28 |
|                                 | 04         | 1      | 93                         |                      | 2.97         | 75.41 | 4.13    | 104.90 | 2.60    | 66.04 | 3.02    | 76.71 | 1.44        | 36.50 | 1.88 | 47.63 |
|                                 |            | 2      | 94                         |                      | 2.97         | 75.41 | 5.13    | 130.30 | 2.60    | 66.04 | 3.02    | 76.71 | 1.44        | 36.50 | 1.88 | 47.63 |
|                                 | 05         | 1      | 154                        |                      | 2.97         | 75.41 | 4.13    | 104.90 | 2.00    | 50.80 | 1.77    | 44.96 | 0.63        | 15.88 | 0.94 | 23.80 |
|                                 |            | 2      | 155                        |                      | 2.97         | 75.41 | 5.13    | 130.30 | 2.00    | 50.80 | 1.77    | 44.96 | 0.63        | 15.88 | 0.94 | 23.80 |
| 48                              | 01         | 1      | 95                         | 48                   | 3.22         | 81.76 | 4.13    | 104.90 | 2.23    | 56.64 | 2.11    | 53.67 | 0.88        | 22.23 | 1.25 | 31.75 |
|                                 |            | 2      | 96                         |                      | 3.22         | 81.76 | 5.13    | 130.30 | 2.23    | 56.64 | 2.11    | 53.67 | 0.88        | 22.23 | 1.25 | 31.75 |
|                                 | 02         | 1      | 97                         |                      | 3.22         | 81.76 | 4.13    | 104.90 | 2.02    | 51.41 | 2.36    | 60.02 | 1.00        | 25.40 | 1.38 | 34.93 |
|                                 |            | 2      | 98                         |                      | 3.22         | 81.76 | 5.13    | 130.30 | 2.02    | 51.41 | 2.36    | 60.02 | 1.00        | 25.40 | 1.38 | 34.93 |
|                                 | 03         | 1      | 99                         |                      | 3.22         | 81.76 | 4.13    | 104.90 | 2.55    | 64.77 | 2.77    | 70.36 | 1.25        | 31.75 | 1.63 | 41.28 |
|                                 |            | 2      | 100                        |                      | 3.22         | 81.76 | 5.13    | 130.30 | 2.55    | 64.77 | 2.77    | 70.36 | 1.25        | 31.75 | 1.63 | 41.28 |
|                                 | 04         | 1      | 101                        |                      | 3.22         | 81.76 | 4.13    | 104.90 | 2.60    | 66.04 | 3.02    | 76.71 | 1.44        | 36.50 | 1.88 | 47.63 |
|                                 |            | 2      | 102                        |                      | 3.22         | 81.76 | 5.13    | 130.30 | 2.60    | 66.04 | 3.02    | 76.71 | 1.44        | 36.50 | 1.88 | 47.63 |

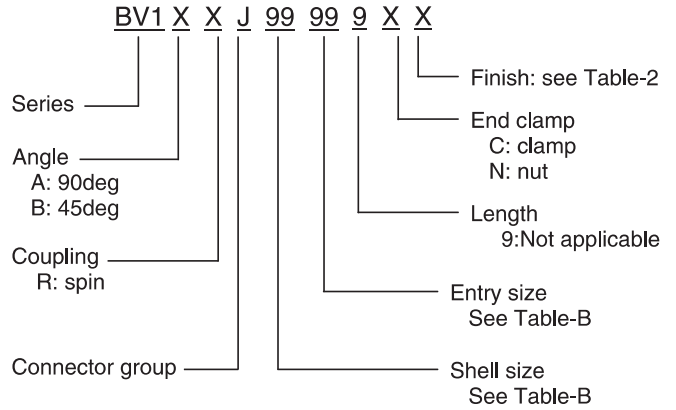
(\*) ---- DENOTES STYLE 2

### Connector Group - J

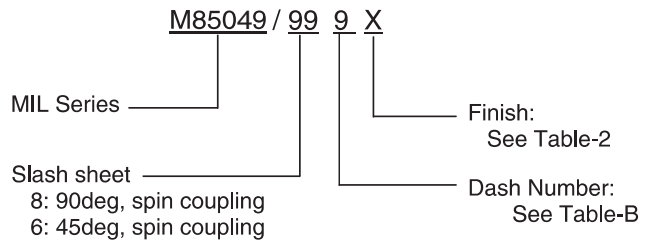
90°, 45°



#### Amphenol Part Number



#### MIL Part Number



**NOTE:** \* For more cable entry options, contact factory

**TABLE - B**

| AMPHENOL PART NUMBER DESIGNATOR |            | MIL PART NUMBER DESIGNATOR | CONNECTOR SHELL SIZE | A DIA. (MAX) |       | B (REF) |       | C (MAX) |       | D (MAX) |       | E (MAX) |       | F (MAX) |       |
|---------------------------------|------------|----------------------------|----------------------|--------------|-------|---------|-------|---------|-------|---------|-------|---------|-------|---------|-------|
| SHELL SIZE                      | ENTRY SIZE | DASH NO                    |                      | INCH         | MM    | INCH    | MM    | INCH    | MM    | INCH    | MM    | INCH    | MM    | INCH    | MM    |
| 08                              | 01         | 3                          | 8                    | 0.62         | 15.67 | 1.54    | 39.22 | 0.67    | 17.02 | 1.26    | 32.00 | 0.63    | 16.00 | 1.25    | 31.75 |
| 10                              | 01         | 4                          | 10                   | 0.73         | 18.64 | 1.54    | 39.22 | 0.76    | 19.30 | 1.98    | 50.29 | 0.69    | 17.53 | 1.92    | 48.77 |
|                                 | 02         | 49*                        |                      | 0.73         | 18.64 | 1.54    | 39.22 | 1.52    | 38.61 | 2.00    | 50.80 | 1.50    | 38.10 | 1.98    | 50.29 |
|                                 | 03         | 5                          |                      | 0.73         | 18.64 | 1.54    | 39.22 | 0.76    | 19.30 | 1.38    | 35.05 | 0.69    | 17.53 | 1.31    | 33.27 |
| 12                              | 01         | 6                          | 7/12                 | 0.86         | 21.79 | 1.54    | 39.22 | 0.77    | 19.56 | 2.00    | 50.80 | 0.75    | 19.05 | 1.98    | 50.29 |
|                                 | 02         | 71*                        |                      | 0.86         | 21.79 | 1.84    | 46.84 | 1.81    | 45.97 | 2.16    | 54.86 | 1.65    | 41.91 | 2.18    | 55.37 |
|                                 | 03         | 7                          |                      | 0.86         | 21.79 | 1.54    | 39.22 | 0.77    | 19.56 | 2.00    | 50.80 | 0.75    | 19.05 | 1.98    | 50.29 |
|                                 | 04         | 8                          |                      | 0.86         | 21.79 | 1.84    | 46.84 | 0.77    | 19.56 | 1.40    | 35.56 | 0.75    | 19.05 | 1.98    | 50.29 |
| 14                              | 01         | 9                          | 12/14                | 0.98         | 24.99 | 1.54    | 39.22 | 0.87    | 22.10 | 2.07    | 52.58 | 0.81    | 20.57 | 2.07    | 52.58 |
|                                 | 02         | 10                         |                      | 0.98         | 24.99 | 1.84    | 46.84 | 0.87    | 22.10 | 1.72    | 43.69 | 0.81    | 20.57 | 1.72    | 43.69 |
|                                 | 03         | 50*                        |                      | 0.98         | 24.99 | 1.92    | 48.67 | 1.89    | 48.01 | 2.33    | 59.18 | 1.84    | 46.74 | 2.37    | 60.20 |
|                                 | 04         | 74                         |                      | 0.98         | 24.99 | 1.54    | 39.22 | 0.87    | 22.10 | 2.07    | 52.58 | 0.81    | 20.57 | 2.07    | 52.58 |
| 16                              | 01         | 11                         | 19/16                | 1.11         | 28.24 | 1.54    | 39.22 | 1.05    | 26.67 | 2.16    | 54.86 | 0.91    | 23.11 | 2.18    | 55.37 |
|                                 | 02         | 12                         |                      | 1.11         | 28.24 | 1.92    | 48.67 | 1.05    | 26.67 | 1.81    | 45.97 | 0.91    | 23.11 | 1.82    | 46.23 |
|                                 | 03         | 40                         |                      | 1.11         | 28.24 | 1.84    | 46.84 | 1.05    | 26.67 | 2.16    | 54.86 | 0.91    | 23.11 | 2.18    | 55.37 |
|                                 | 04         | 51*                        |                      | 1.11         | 28.24 | 2.00    | 50.80 | 2.04    | 51.82 | 2.44    | 61.98 | 1.94    | 49.28 | 2.52    | 64.01 |
|                                 | 05         | 75                         |                      | 1.11         | 28.24 | 1.54    | 39.22 | 1.05    | 26.67 | 2.16    | 54.86 | 0.91    | 23.11 | 2.18    | 55.37 |
| 18                              | 01         | 13                         | 27/18                | 1.22         | 30.94 | 1.84    | 46.84 | 1.14    | 28.96 | 2.33    | 59.18 | 1.09    | 27.69 | 2.37    | 60.20 |
|                                 | 02         | 14                         |                      | 1.22         | 30.94 | 2.00    | 50.80 | 1.14    | 28.96 | 1.98    | 50.29 | 1.09    | 27.69 | 2.00    | 50.80 |
|                                 | 03         | 41                         |                      | 1.22         | 30.94 | 1.54    | 39.22 | 1.14    | 28.96 | 2.33    | 59.18 | 1.09    | 27.69 | 2.37    | 60.20 |
|                                 | 04         | 42                         |                      | 1.22         | 30.94 | 1.54    | 39.22 | 1.14    | 28.96 | 2.33    | 59.18 | 1.09    | 27.69 | 2.37    | 60.20 |
|                                 | 05         | 52                         |                      | 1.22         | 30.94 | 1.92    | 48.67 | 1.14    | 28.96 | 2.33    | 59.18 | 1.09    | 27.69 | 2.37    | 60.20 |
|                                 | 06         | 72*                        |                      | 1.22         | 30.94 | 2.00    | 50.80 | 2.05    | 52.07 | 2.44    | 61.98 | 1.94    | 49.28 | 2.52    | 64.01 |

Table Continued

### Connector Group - J

90°, 45°

TABLE - B

| AMPHENOL PART NUMBER DESIGNATOR |            | MIL PART NUMBER DESIGNATOR | CONNECTOR SHELL SIZE | A DIA. (MAX) |       | B (REF) |       | C (MAX) |       | D (MAX) |       | E (MAX) |       | F (MAX) |       |
|---------------------------------|------------|----------------------------|----------------------|--------------|-------|---------|-------|---------|-------|---------|-------|---------|-------|---------|-------|
| SHELL SIZE                      | ENTRY SIZE | DASH NO                    |                      | INCH         | MM    | INCH    | MM    | INCH    | MM    | INCH    | MM    | INCH    | MM    | INCH    | MM    |
| 20                              | 01         | 15                         | 37/20                | 1.35         | 34.16 | 1.84    | 46.84 | 1.14    | 28.96 | 2.33    | 59.18 | 1.09    | 27.69 | 2.37    | 60.20 |
|                                 | 02         | 16                         |                      | 1.35         | 34.16 | 2.00    | 50.80 | 1.14    | 28.96 | 1.98    | 50.29 | 1.09    | 27.69 | 2.00    | 50.80 |
|                                 | 03         | 43                         |                      | 1.35         | 34.16 | 1.54    | 39.22 | 1.14    | 28.96 | 2.33    | 59.18 | 1.09    | 27.69 | 2.37    | 60.20 |
|                                 | 04         | 54                         |                      | 1.35         | 34.16 | 1.92    | 48.67 | 1.14    | 28.96 | 2.33    | 59.18 | 1.09    | 27.69 | 2.37    | 60.20 |
|                                 | 05         | 55                         |                      | 1.35         | 34.16 | 2.23    | 56.64 | 2.14    | 54.36 | 2.61    | 66.29 | 2.06    | 52.32 | 2.57    | 65.28 |
| 22                              | 01         | 17                         | 22                   | 1.47         | 37.29 | 1.92    | 48.72 | 1.29    | 32.77 | 2.44    | 61.98 | 1.19    | 30.23 | 2.52    | 64.01 |
|                                 | 02         | 18                         |                      | 1.47         | 37.29 | 2.23    | 56.64 | 1.29    | 32.77 | 2.09    | 53.09 | 1.19    | 30.23 | 2.16    | 54.86 |
|                                 | 03         | 44                         |                      | 1.47         | 37.29 | 1.54    | 39.22 | 1.29    | 32.77 | 2.44    | 61.98 | 1.19    | 30.23 | 2.52    | 64.01 |
|                                 | 04         | 45                         |                      | 1.47         | 37.29 | 1.54    | 39.22 | 1.29    | 32.77 | 2.44    | 61.98 | 1.19    | 30.23 | 2.52    | 64.01 |
|                                 | 05         | 56                         |                      | 1.47         | 37.29 | 1.84    | 46.84 | 1.29    | 32.77 | 2.44    | 61.98 | 1.19    | 30.23 | 2.52    | 64.01 |
|                                 | 06         | 57                         |                      | 1.47         | 37.29 | 2.00    | 50.80 | 1.29    | 32.77 | 2.44    | 61.98 | 1.19    | 30.23 | 2.52    | 64.01 |
|                                 | 07         | 58*                        |                      | 1.47         | 37.29 | 2.23    | 56.64 | 2.14    | 54.36 | 2.61    | 66.29 | 2.06    | 52.32 | 2.57    | 65.28 |
| 24                              | 01         | 19                         | 24                   | 1.59         | 40.46 | 1.92    | 48.67 | 1.29    | 32.77 | 2.44    | 61.98 | 1.19    | 30.23 | 2.52    | 64.01 |
|                                 | 02         | 20                         |                      | 1.59         | 40.46 | 2.23    | 56.64 | 1.29    | 32.77 | 2.09    | 53.09 | 1.19    | 30.23 | 2.16    | 54.86 |
|                                 | 03         | 46                         |                      | 1.59         | 40.46 | 1.84    | 46.84 | 1.29    | 32.77 | 2.44    | 61.98 | 1.19    | 30.23 | 2.52    | 64.01 |
|                                 | 04         | 59                         |                      | 1.59         | 40.46 | 2.00    | 50.80 | 1.29    | 32.77 | 2.44    | 61.98 | 1.19    | 30.23 | 2.52    | 64.01 |
|                                 | 05         | 73*                        |                      | 1.59         | 40.46 | 2.23    | 56.64 | 2.15    | 54.61 | 2.61    | 66.29 | 2.06    | 52.32 | 2.57    | 65.28 |
| 28                              | 01         | 21                         | 28                   | 1.97         | 50.01 | 2.00    | 50.80 | 1.39    | 35.31 | 2.61    | 66.29 | 1.31    | 33.27 | 2.57    | 65.28 |
|                                 | 02         | 22                         |                      | 1.97         | 50.01 | 2.02    | 51.41 | 1.39    | 35.31 | 2.26    | 57.40 | 1.31    | 33.27 | 2.22    | 56.39 |
|                                 | 03         | 60                         |                      | 1.97         | 50.01 | 1.92    | 48.67 | 1.39    | 35.31 | 2.61    | 66.29 | 1.31    | 33.27 | 2.57    | 65.28 |
|                                 | 04         | 61                         |                      | 1.97         | 50.01 | 2.23    | 56.64 | 1.39    | 35.31 | 2.61    | 66.29 | 1.31    | 33.27 | 2.57    | 65.28 |
| 32                              | 01         | 23                         | 32                   | 2.22         | 56.36 | 2.00    | 50.80 | 1.74    | 44.20 | 2.86    | 72.64 | 1.38    | 35.05 | 2.67    | 67.82 |
|                                 | 02         | 24                         |                      | 2.22         | 56.36 | 2.23    | 56.64 | 1.74    | 44.20 | 2.86    | 72.64 | 1.38    | 35.05 | 2.67    | 67.82 |
|                                 | 03         | 25                         |                      | 2.22         | 56.36 | 2.55    | 64.77 | 1.74    | 44.20 | 2.51    | 63.75 | 1.38    | 35.05 | 2.32    | 58.93 |
|                                 | 04         | 62                         |                      | 2.22         | 56.36 | 2.02    | 51.41 | 1.74    | 44.20 | 2.86    | 72.64 | 1.38    | 35.05 | 2.67    | 67.82 |
| 36                              | 01         | 26                         | 36                   | 2.47         | 62.71 | 2.00    | 50.80 | 1.94    | 49.28 | 2.83    | 71.88 | 1.41    | 35.81 | 2.76    | 70.10 |
|                                 | 02         | 27                         |                      | 2.47         | 62.71 | 2.02    | 51.41 | 1.94    | 49.28 | 2.83    | 71.88 | 1.41    | 35.81 | 2.76    | 70.10 |
|                                 | 03         | 28                         |                      | 2.47         | 62.71 | 2.60    | 66.04 | 1.94    | 49.28 | 2.48    | 62.99 | 1.41    | 35.81 | 2.41    | 61.21 |
|                                 | 04         | 47                         |                      | 2.47         | 62.71 | 1.92    | 48.67 | 1.94    | 49.28 | 2.83    | 71.88 | 1.41    | 35.81 | 2.76    | 70.10 |
|                                 | 05         | 63                         |                      | 2.47         | 62.71 | 2.23    | 56.64 | 1.94    | 49.28 | 2.83    | 71.88 | 1.41    | 35.81 | 2.76    | 70.10 |
|                                 | 06         | 64                         |                      | 2.47         | 62.71 | 2.55    | 64.77 | 1.94    | 49.28 | 2.83    | 71.88 | 1.41    | 35.81 | 2.76    | 70.10 |
| 40                              | 01         | 29                         | 40                   | 2.72         | 69.06 | 2.00    | 50.80 | 2.69    | 68.33 | 2.83    | 71.88 | 2.16    | 54.86 | 2.76    | 70.10 |
|                                 | 02         | 30                         |                      | 2.72         | 69.06 | 2.02    | 51.41 | 2.69    | 68.33 | 2.83    | 71.88 | 2.16    | 54.86 | 2.76    | 70.10 |
|                                 | 03         | 31                         |                      | 2.72         | 69.06 | 2.60    | 66.04 | 2.69    | 68.33 | 2.48    | 62.99 | 2.16    | 54.86 | 2.41    | 61.21 |
|                                 | 04         | 48                         |                      | 2.72         | 69.06 | 1.92    | 48.67 | 1.94    | 49.28 | 2.83    | 71.88 | 2.16    | 54.86 | 2.76    | 70.10 |
|                                 | 05         | 65                         |                      | 2.72         | 69.06 | 2.23    | 56.64 | 2.69    | 68.33 | 2.83    | 71.88 | 2.16    | 54.86 | 2.76    | 70.10 |
|                                 | 06         | 66                         |                      | 2.72         | 69.06 | 2.55    | 64.77 | 2.69    | 68.33 | 2.83    | 71.88 | 2.16    | 54.86 | 2.76    | 70.10 |
| 44                              | 01         | 32                         | 44                   | 2.97         | 75.41 | 2.00    | 50.80 | 2.69    | 68.33 | 2.83    | 71.88 | 2.16    | 54.86 | 2.76    | 70.10 |
|                                 | 02         | 33                         |                      | 2.97         | 75.41 | 2.02    | 51.41 | 2.69    | 68.33 | 2.83    | 71.88 | 2.16    | 54.86 | 2.76    | 70.10 |
|                                 | 03         | 34                         |                      | 2.97         | 75.41 | 2.60    | 66.04 | 2.69    | 68.33 | 2.48    | 62.99 | 2.16    | 54.86 | 2.41    | 61.21 |
|                                 | 04         | 67                         |                      | 2.97         | 75.41 | 2.23    | 56.64 | 2.69    | 68.33 | 2.83    | 71.88 | 2.16    | 54.86 | 2.76    | 70.10 |
|                                 | 05         | 68                         |                      | 2.97         | 75.41 | 2.55    | 64.77 | 2.69    | 68.33 | 2.83    | 71.88 | 2.16    | 54.86 | 2.76    | 70.10 |
| 48                              | 01         | 35                         | 48                   | 3.22         | 81.76 | 2.00    | 50.80 | 2.69    | 68.33 | 2.83    | 71.88 | 2.16    | 54.86 | 2.76    | 70.10 |
|                                 | 02         | 36                         |                      | 3.22         | 81.76 | 2.02    | 51.41 | 2.69    | 68.33 | 2.83    | 71.88 | 2.16    | 54.86 | 2.76    | 70.10 |
|                                 | 03         | 37                         |                      | 3.22         | 81.76 | 2.60    | 66.04 | 2.69    | 68.33 | 2.48    | 62.99 | 2.16    | 54.86 | 2.41    | 61.21 |
|                                 | 04         | 69                         |                      | 3.22         | 81.76 | 2.23    | 56.64 | 2.69    | 68.33 | 2.83    | 71.88 | 2.16    | 54.86 | 2.76    | 70.10 |
|                                 | 05         | 70                         |                      | 3.22         | 81.76 | 2.55    | 64.77 | 2.69    | 68.33 | 2.83    | 71.88 | 2.16    | 54.86 | 2.76    | 70.10 |

(\* ) --- DENOTES STYLE 2

Table Continued

Connector Group - J

90°, 45°

| TABLE - B                       |            |                            |                      |         |       |             |       |      |       |
|---------------------------------|------------|----------------------------|----------------------|---------|-------|-------------|-------|------|-------|
| AMPHENOL PART NUMBER DESIGNATOR |            | MIL PART NUMBER DESIGNATOR | CONNECTOR SHELL SIZE | G (MAX) |       | CABLE RANGE |       |      |       |
| SHELL SIZE                      | ENTRY SIZE | DASH NO                    |                      | INCH    | MM    | MIN         |       | MAX  |       |
|                                 |            |                            |                      |         |       | INCH        | MM    | INCH | MM    |
| 08                              | 01         | 3                          | 8                    | 0.96    | 24.31 | 0.13        | 3.18  | 0.25 | 6.35  |
| 10                              | 01         | 4                          | 10                   | 0.96    | 24.31 | 0.13        | 3.18  | 0.31 | 7.92  |
|                                 | 02         | 49*                        |                      | 1.15    | 29.08 | 0.25        | 6.35  | 0.44 | 11.10 |
|                                 | 03         | 5                          |                      | 1.15    | 29.08 | 0.25        | 6.35  | 0.38 | 9.53  |
| 12                              | 01         | 6                          | 7/12                 | 0.96    | 24.31 | 0.13        | 3.18  | 0.31 | 7.92  |
|                                 | 02         | 71*                        |                      | 1.33    | 33.83 | 0.35        | 8.89  | 0.63 | 15.88 |
|                                 | 03         | 7                          |                      | 1.15    | 29.08 | 0.25        | 6.35  | 0.44 | 11.10 |
|                                 | 04         | 8                          |                      | 1.33    | 33.83 | 0.35        | 8.89  | 0.50 | 12.70 |
| 14                              | 01         | 9                          | 12/14                | 1.15    | 29.08 | 0.25        | 6.35  | 0.44 | 11.10 |
|                                 | 02         | 10                         |                      | 1.33    | 33.83 | 0.35        | 8.89  | 0.58 | 14.61 |
|                                 | 03         | 50*                        |                      | 1.55    | 39.40 | 0.50        | 12.70 | 0.75 | 19.05 |
|                                 | 04         | 74                         |                      | 0.96    | 24.31 | 0.13        | 3.18  | 0.31 | 7.92  |
| 16                              | 01         | 11                         | 19/16                | 1.15    | 29.08 | 0.25        | 6.35  | 0.44 | 11.10 |
|                                 | 02         | 12                         |                      | 1.55    | 39.40 | 0.50        | 12.70 | 0.70 | 17.78 |
|                                 | 03         | 40                         |                      | 1.33    | 33.83 | 0.35        | 8.89  | 0.63 | 15.88 |
|                                 | 04         | 51*                        |                      | 1.77    | 44.96 | 0.63        | 15.88 | 0.94 | 23.80 |
|                                 | 05         | 75                         |                      | 0.96    | 24.31 | 0.13        | 3.18  | 0.31 | 7.92  |
| 18                              | 01         | 13                         | 27/18                | 1.33    | 33.83 | 0.35        | 8.89  | 0.63 | 15.88 |
|                                 | 02         | 14                         |                      | 1.77    | 44.96 | 0.63        | 15.88 | 0.78 | 19.79 |
|                                 | 03         | 41                         |                      | 0.96    | 24.31 | 0.13        | 3.18  | 0.31 | 7.92  |
|                                 | 04         | 42                         |                      | 1.15    | 29.08 | 0.25        | 6.35  | 0.44 | 11.10 |
|                                 | 05         | 52                         |                      | 1.55    | 39.40 | 0.50        | 12.70 | 0.75 | 19.05 |
|                                 | 06         | 72*                        |                      | 1.77    | 44.96 | 0.63        | 15.88 | 0.94 | 23.80 |
| 20                              | 01         | 15                         | 37/20                | 1.33    | 33.83 | 0.35        | 8.89  | 0.63 | 15.88 |
|                                 | 02         | 16                         |                      | 1.77    | 44.96 | 0.63        | 15.88 | 0.90 | 22.96 |
|                                 | 03         | 43                         |                      | 1.15    | 29.08 | 0.25        | 6.35  | 0.44 | 11.10 |
|                                 | 04         | 54                         |                      | 1.55    | 39.40 | 0.50        | 12.70 | 0.75 | 19.05 |
|                                 | 05         | 55                         |                      | 2.11    | 53.67 | 0.88        | 22.23 | 1.25 | 31.75 |
| 22                              | 01         | 17                         | 22                   | 1.55    | 39.40 | 0.50        | 12.70 | 0.75 | 19.05 |
|                                 | 02         | 18                         |                      | 2.11    | 53.67 | 0.88        | 22.23 | 1.03 | 26.14 |
|                                 | 03         | 44                         |                      | 0.96    | 24.31 | 0.13        | 3.18  | 0.31 | 7.92  |
|                                 | 04         | 45                         |                      | 1.15    | 29.08 | 0.25        | 6.35  | 0.44 | 11.10 |
|                                 | 05         | 56                         |                      | 1.33    | 33.83 | 0.35        | 8.89  | 0.63 | 15.88 |
|                                 | 06         | 57                         |                      | 1.77    | 44.96 | 0.63        | 15.88 | 0.94 | 23.80 |
|                                 | 07         | 58*                        |                      | 2.11    | 53.67 | 0.88        | 22.23 | 1.25 | 31.75 |
| 24                              | 01         | 19                         | 24                   | 1.55    | 39.40 | 0.50        | 12.70 | 0.75 | 19.05 |
|                                 | 02         | 20                         |                      | 2.11    | 53.67 | 0.88        | 22.23 | 1.14 | 29.06 |
|                                 | 03         | 46                         |                      | 1.33    | 33.83 | 0.35        | 8.89  | 0.63 | 15.88 |
|                                 | 04         | 59                         |                      | 1.77    | 44.96 | 0.63        | 15.88 | 0.94 | 23.80 |
|                                 | 05         | 73*                        |                      | 2.12    | 53.75 | 0.88        | 22.23 | 1.25 | 31.75 |
| 28                              | 01         | 21                         | 28                   | 1.77    | 44.96 | 0.63        | 15.88 | 0.94 | 23.80 |
|                                 | 02         | 22                         |                      | 2.36    | 60.02 | 1.00        | 25.40 | 1.38 | 34.93 |
|                                 | 03         | 60                         |                      | 1.55    | 39.40 | 0.50        | 12.70 | 0.75 | 19.05 |
|                                 | 04         | 61                         |                      | 2.11    | 53.67 | 0.88        | 22.23 | 1.25 | 31.75 |
| 32                              | 01         | 23                         | 32                   | 1.77    | 44.96 | 0.63        | 15.88 | 0.94 | 23.80 |
|                                 | 02         | 24                         |                      | 2.11    | 53.67 | 0.88        | 22.23 | 1.25 | 31.75 |
|                                 | 03         | 25                         |                      | 2.77    | 70.36 | 1.25        | 31.75 | 1.63 | 41.28 |
|                                 | 04         | 62                         |                      | 2.36    | 60.02 | 1.00        | 25.40 | 1.38 | 34.93 |

Table Continued





### Connector Group - J

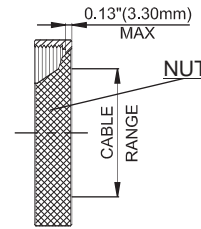
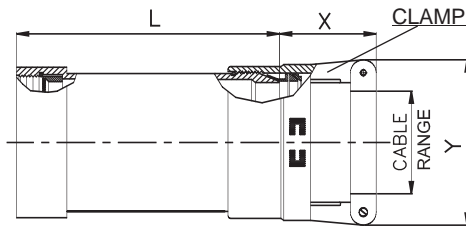
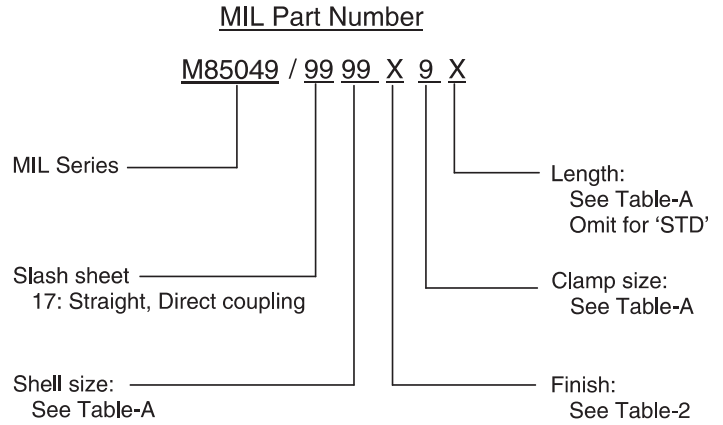
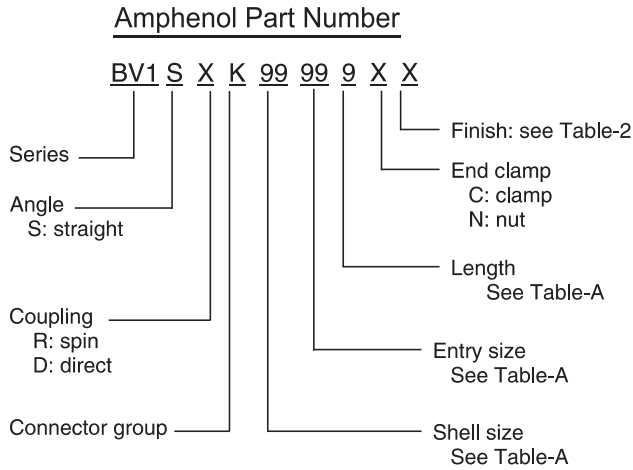
90°, 45°

| TABLE - B                       |            |                            |                      |         |       |             |       |      |       |
|---------------------------------|------------|----------------------------|----------------------|---------|-------|-------------|-------|------|-------|
| AMPHENOL PART NUMBER DESIGNATOR |            | MIL PART NUMBER DESIGNATOR | CONNECTOR SHELL SIZE | G (MAX) |       | CABLE RANGE |       |      |       |
| SHELL SIZE                      | ENTRY SIZE | DASH NO                    |                      | INCH    | MM    | MIN         |       | MAX  |       |
|                                 |            |                            |                      |         |       |             | INCH  | MM   | INCH  |
| 36                              | 01         | 26                         | 36                   | 1.77    | 44.96 | 0.63        | 15.88 | 0.94 | 23.80 |
|                                 | 02         | 27                         |                      | 2.36    | 60.02 | 1.00        | 25.40 | 1.38 | 34.93 |
|                                 | 03         | 28                         |                      | 3.02    | 76.71 | 1.44        | 36.50 | 1.84 | 46.74 |
|                                 | 04         | 47                         |                      | 1.55    | 39.40 | 0.50        | 12.70 | 0.75 | 19.05 |
|                                 | 05         | 63                         |                      | 2.11    | 53.67 | 0.88        | 22.23 | 1.25 | 31.75 |
|                                 | 06         | 64                         |                      | 2.77    | 70.36 | 1.25        | 31.75 | 1.63 | 41.28 |
| 40                              | 01         | 29                         | 40                   | 1.77    | 44.96 | 0.63        | 15.88 | 0.94 | 23.80 |
|                                 | 02         | 30                         |                      | 2.36    | 60.02 | 1.00        | 25.40 | 1.38 | 34.93 |
|                                 | 03         | 31                         |                      | 3.02    | 76.71 | 1.44        | 36.50 | 1.88 | 47.63 |
|                                 | 04         | 48                         |                      | 1.55    | 39.40 | 0.50        | 12.70 | 0.75 | 19.05 |
|                                 | 05         | 65                         |                      | 2.11    | 53.67 | 0.88        | 22.23 | 1.25 | 31.75 |
|                                 | 06         | 66                         |                      | 2.77    | 70.36 | 1.25        | 31.75 | 1.63 | 41.28 |
| 44                              | 01         | 32                         | 44                   | 1.77    | 44.96 | 0.63        | 15.88 | 0.94 | 23.80 |
|                                 | 02         | 33                         |                      | 2.36    | 60.02 | 1.00        | 25.40 | 1.38 | 34.93 |
|                                 | 03         | 34                         |                      | 3.02    | 76.71 | 1.44        | 36.50 | 1.88 | 47.63 |
|                                 | 04         | 67                         |                      | 2.11    | 53.67 | 0.88        | 22.23 | 1.25 | 31.75 |
|                                 | 05         | 68                         |                      | 2.77    | 70.36 | 1.25        | 31.75 | 1.63 | 41.28 |
| 48                              | 01         | 35                         | 48                   | 1.77    | 44.96 | 0.63        | 15.88 | 0.94 | 23.80 |
|                                 | 02         | 36                         |                      | 2.36    | 60.02 | 1.00        | 25.40 | 1.38 | 34.93 |
|                                 | 03         | 37                         |                      | 3.02    | 76.71 | 1.44        | 36.50 | 1.88 | 47.63 |
|                                 | 04         | 69                         |                      | 2.11    | 53.67 | 0.88        | 22.23 | 1.25 | 31.75 |
|                                 | 05         | 70                         |                      | 2.77    | 70.36 | 1.25        | 31.75 | 1.63 | 41.28 |

(\*) ---- DENOTES STYLE 2

### Connector Group - K

### Straight



**NOTE:** \* For more cable entry and length options, contact factory

| TABLE - A                       |            |        |                            |            |                                  |        |             |       |       |       |         |       |         |       |         |       |       |
|---------------------------------|------------|--------|----------------------------|------------|----------------------------------|--------|-------------|-------|-------|-------|---------|-------|---------|-------|---------|-------|-------|
| AMPHENOL PART NUMBER DESIGNATOR |            |        | MIL PART NUMBER DESIGNATOR |            | CONNECTOR SHELL SIZE SE - II / I | LENGTH | CABLE RANGE |       |       |       | L (MAX) |       | X (MAX) |       | Y (MAX) |       |       |
| SHELL SIZE                      | ENTRY SIZE | LENGTH | ACCESSORY SHELL SIZE       | CLAMP SIZE |                                  |        | MIN         | MAX   |       | INCH  | MM      | INCH  | MM      | INCH  | MM      | INCH  | MM    |
|                                 |            |        |                            |            |                                  |        |             | INCH  | MM    |       |         |       |         |       |         |       |       |
| 08                              | 01         | 1      | 08                         | 1          | 8 / 9                            | STD.   | 0.06        | 1.57  | 0.13  | 3.18  | 1.53    | 38.86 | 1.25    | 31.75 | 0.78    | 19.81 |       |
|                                 |            | A      |                            |            |                                  | 2.53   |             |       |       |       | 64.26   |       |         |       |         |       |       |
|                                 | 02         | 1      |                            | 2          |                                  | STD.   | 0.13        | 3.18  | 0.25  | 6.35  | 1.53    | 38.86 |         |       |         |       |       |
|                                 |            | A      |                            |            |                                  | 2.53   |             |       |       |       | 64.26   |       |         |       |         |       |       |
| 10                              | 01         | 1      | 10                         | 1          | 10 / 11                          | STD.   | 0.06        | 1.57  | 0.13  | 3.18  | 1.53    | 38.86 | 1.25    | 31.75 | 0.78    | 19.81 |       |
|                                 |            | A      |                            |            |                                  | 2.53   |             |       |       |       | 64.26   |       |         |       |         |       |       |
|                                 | 02         | 1      |                            | 2          |                                  | STD.   | 0.13        | 3.18  | 0.25  | 6.35  | 1.53    | 38.86 |         |       |         |       |       |
|                                 |            | A      |                            |            |                                  | 2.53   |             |       |       |       | 64.26   |       |         |       |         |       |       |
|                                 | 03         | 1      |                            | 2          |                                  | STD.   | 0.25        | 6.35  | 0.38  | 9.53  | 1.53    | 38.86 |         |       |         |       |       |
|                                 |            | A      |                            |            |                                  | 2.53   |             |       |       |       | 64.26   |       |         |       |         |       |       |
| 12                              | 01         | 1      | 12                         | 2          | 12 / 13                          | STD.   | 0.13        | 3.18  | 0.25  | 6.35  | 1.53    | 38.86 | 1.25    | 31.75 | 0.97    | 24.64 |       |
|                                 |            | A      |                            |            |                                  | 2.53   |             |       |       |       | 64.26   |       |         |       |         |       |       |
|                                 | 02         | 1      |                            | 3          |                                  | STD.   | 0.25        | 6.35  | 0.38  | 9.53  | 1.53    | 38.86 |         |       |         |       |       |
|                                 |            | A      |                            |            |                                  | 2.53   |             |       |       |       | 64.26   |       |         |       |         |       |       |
|                                 | 03         | 1      |                            | 2          |                                  | STD.   | 0.38        | 9.53  | 0.50  | 12.70 | 1.53    | 38.86 |         |       |         |       |       |
|                                 |            | A      |                            |            |                                  | 2.53   |             |       |       |       | 64.26   |       |         |       |         |       |       |
| 14                              | 01         | 1      | 14                         | 2          | 14 / 15                          | STD.   | 0.13        | 3.18  | 0.25  | 6.35  | 1.53    | 38.86 | 1.25    | 31.75 | 0.97    | 24.64 |       |
|                                 |            | A      |                            |            |                                  | 2.53   |             |       |       |       | 64.26   |       |         |       |         |       |       |
|                                 |            | B      |                            |            |                                  | 3.53   |             |       |       |       | 89.66   |       |         |       |         |       |       |
|                                 |            | STD.   |                            |            |                                  | 0.25   |             |       |       |       | 6.35    | 0.38  |         |       |         |       | 9.53  |
|                                 | A          | 2.53   |                            | 64.26      |                                  |        |             |       |       |       |         |       |         |       |         |       |       |
|                                 | B          | 3.53   |                            | 89.66      |                                  |        |             |       |       |       |         |       |         |       |         |       |       |
|                                 | STD.       | 0.38   |                            | 9.53       |                                  |        | 0.50        | 12.70 | 1.53  | 38.86 |         |       |         |       |         |       |       |
|                                 | A          |        |                            |            |                                  | 2.53   |             |       | 64.26 |       |         |       |         |       |         |       |       |
|                                 | B          |        |                            |            |                                  | 3.53   |             |       | 89.66 |       |         |       |         |       |         |       |       |
|                                 | STD.       |        |                            |            |                                  | 0.50   |             |       | 12.70 | 0.63  | 15.88   | 1.53  |         |       |         |       | 38.86 |
|                                 | A          | 2.53   |                            | 64.26      |                                  |        |             |       |       |       |         |       |         |       |         |       |       |
|                                 | B          | 3.53   |                            | 89.66      |                                  |        |             |       |       |       |         |       |         |       |         |       |       |
| STD.                            | 0.50       | 12.70  | 0.63                       | 15.88      | 1.53                             |        | 38.86       |       |       |       |         |       |         |       |         |       |       |
| A                               |            |        |                            |            | 2.53                             | 64.26  |             |       |       |       |         |       |         |       |         |       |       |
| B                               |            |        |                            |            | 3.53                             | 89.66  |             |       |       |       |         |       |         |       |         |       |       |

Table Continued

### Connector Group - K

### Straight

TABLE - A

| AMPHENOL PART NUMBER DESIGNATOR |            |        | MIL PART NUMBER DESIGNATOR |            | CONNECTOR SHELL SIZE SE - II / I | LENGTH | CABLE RANGE |        |       |       | L (MAX) |       | X (MAX) |       | Y (MAX) |       |    |
|---------------------------------|------------|--------|----------------------------|------------|----------------------------------|--------|-------------|--------|-------|-------|---------|-------|---------|-------|---------|-------|----|
| SHELL SIZE                      | ENTRY SIZE | LENGTH | ACCESSORY SHELL SIZE       | CLAMP SIZE |                                  |        | MIN         | MAX    |       | INCH  | MM      | INCH  | MM      | INCH  | MM      | INCH  | MM |
|                                 |            |        |                            |            |                                  |        |             | INCH   | MM    |       |         |       |         |       |         |       |    |
| 16                              | 01         | 1      | 16                         | 2          | 16 / 17                          | STD.   | 0.13        | 3.18   | 0.25  | 6.35  | 1.53    | 38.86 | 1.25    | 31.75 | 0.97    | 24.64 |    |
|                                 |            | A      |                            |            |                                  | 2.53   |             |        |       |       | 64.26   |       |         |       |         |       |    |
|                                 |            | B      |                            |            |                                  | 3.53   |             |        |       |       | 89.66   |       |         |       |         |       |    |
|                                 | 02         | 1      |                            | 3          |                                  | STD.   | 0.25        | 6.35   | 0.38  | 9.53  | 1.53    | 38.86 | 1.25    | 31.75 | 1.06    | 26.92 |    |
|                                 |            | A      |                            |            |                                  | 2.53   |             |        |       |       | 64.26   |       |         |       |         |       |    |
|                                 |            | B      |                            |            |                                  | 3.53   |             |        |       |       | 89.66   |       |         |       |         |       |    |
|                                 | 03         | 1      |                            | 4          |                                  | STD.   | 0.38        | 9.53   | 0.50  | 12.70 | 1.53    | 38.86 | 1.25    | 31.75 | 1.16    | 29.46 |    |
|                                 |            | A      |                            |            |                                  | 2.53   |             |        |       |       | 64.26   |       |         |       |         |       |    |
|                                 |            | B      |                            |            |                                  | 3.53   |             |        |       |       | 89.66   |       |         |       |         |       |    |
|                                 | 04         | 1      |                            | 5          |                                  | STD.   | 0.50        | 12.70  | 0.63  | 15.88 | 1.53    | 38.86 | 1.31    | 33.27 | 1.25    | 31.75 |    |
|                                 |            | A      |                            |            |                                  | 2.53   |             |        |       |       | 64.26   |       |         |       |         |       |    |
|                                 |            | B      |                            |            |                                  | 3.53   |             |        |       |       | 89.66   |       |         |       |         |       |    |
|                                 | 05         | 1      |                            | 6          |                                  | STD.   | 0.63        | 15.88  | 0.75  | 19.05 | 1.53    | 38.86 | 1.38    | 35.05 | 1.38    | 35.05 |    |
|                                 |            | A      |                            |            |                                  | 2.53   |             |        |       |       | 64.26   |       |         |       |         |       |    |
|                                 |            | B      |                            |            |                                  | 3.53   |             |        |       |       | 89.66   |       |         |       |         |       |    |
| 18                              | 01         | 1      | 18                         | 3          | 18 / 19                          | STD.   | 0.25        | 6.35   | 0.38  | 9.53  | 1.53    | 38.86 | 1.25    | 31.75 | 1.06    | 26.92 |    |
|                                 |            | A      |                            |            |                                  | 2.53   |             |        |       |       | 64.26   |       |         |       |         |       |    |
|                                 |            | B      |                            |            |                                  | 3.53   |             |        |       |       | 89.66   |       |         |       |         |       |    |
|                                 | 02         | 1      |                            | 4          |                                  | STD.   | 0.38        | 9.53   | 0.50  | 12.70 | 1.53    | 38.86 | 1.25    | 31.75 | 1.16    | 29.46 |    |
|                                 |            | A      |                            |            |                                  | 2.53   |             |        |       |       | 64.26   |       |         |       |         |       |    |
|                                 |            | B      |                            |            |                                  | 3.53   |             |        |       |       | 89.66   |       |         |       |         |       |    |
|                                 | 03         | 1      |                            | 5          |                                  | STD.   | 0.50        | 12.70  | 0.63  | 15.88 | 1.53    | 38.86 | 1.31    | 33.27 | 1.25    | 31.75 |    |
|                                 |            | A      |                            |            |                                  | 2.53   |             |        |       |       | 64.26   |       |         |       |         |       |    |
|                                 |            | B      |                            |            |                                  | 3.53   |             |        |       |       | 89.66   |       |         |       |         |       |    |
|                                 | 04         | 1      |                            | 6          |                                  | STD.   | 0.63        | 15.88  | 0.75  | 19.05 | 1.53    | 38.86 | 1.38    | 35.05 | 1.38    | 35.05 |    |
|                                 |            | A      |                            |            |                                  | 2.53   |             |        |       |       | 64.26   |       |         |       |         |       |    |
|                                 |            | B      |                            |            |                                  | 3.53   |             |        |       |       | 89.66   |       |         |       |         |       |    |
|                                 | 05         | 1      |                            | 7          |                                  | STD.   | 0.75        | 19.05  | 0.88  | 22.23 | 1.53    | 38.86 | 1.50    | 38.10 | 1.50    | 38.10 |    |
|                                 |            | A      |                            |            |                                  | 2.53   |             |        |       |       | 64.26   |       |         |       |         |       |    |
|                                 |            | B      |                            |            |                                  | 3.53   |             |        |       |       | 89.66   |       |         |       |         |       |    |
| 20                              | 01         | 1      | 20                         | 3          | 20 / 21                          | STD.   | 0.25        | 6.35   | 0.38  | 9.53  | 1.53    | 38.86 | 1.25    | 31.75 | 1.06    | 26.92 |    |
|                                 |            | A      |                            |            |                                  | 2.53   |             |        |       |       | 64.26   |       |         |       |         |       |    |
|                                 |            | B      |                            |            |                                  | 3.53   |             |        |       |       | 89.66   |       |         |       |         |       |    |
|                                 |            | C      |                            |            |                                  | 4.53   |             |        |       |       | 115.06  |       |         |       |         |       |    |
|                                 | 02         | 1      |                            | 4          |                                  | STD.   | 0.38        | 9.53   | 0.50  | 12.70 | 1.53    | 38.86 | 1.25    | 31.75 | 1.16    | 29.46 |    |
|                                 |            | A      |                            |            |                                  | 2.53   |             |        |       |       | 64.26   |       |         |       |         |       |    |
|                                 |            | B      |                            |            |                                  | 3.53   |             |        |       |       | 89.66   |       |         |       |         |       |    |
|                                 |            | C      |                            |            |                                  | 4.53   |             |        |       |       | 115.06  |       |         |       |         |       |    |
|                                 | 03         | 1      |                            | 5          |                                  | STD.   | 0.50        | 12.70  | 0.63  | 15.88 | 1.53    | 38.86 | 1.31    | 33.27 | 1.25    | 31.75 |    |
|                                 |            | A      |                            |            |                                  | 2.53   |             |        |       |       | 64.26   |       |         |       |         |       |    |
|                                 |            | B      |                            |            |                                  | 3.53   |             |        |       |       | 89.66   |       |         |       |         |       |    |
|                                 |            | C      |                            |            |                                  | 4.53   |             |        |       |       | 115.06  |       |         |       |         |       |    |
|                                 | 04         | 1      |                            | 6          |                                  | STD.   | 0.63        | 15.88  | 0.75  | 19.05 | 1.53    | 38.86 | 1.38    | 35.05 | 1.38    | 35.05 |    |
|                                 |            | A      |                            |            |                                  | 2.53   |             |        |       |       | 64.26   |       |         |       |         |       |    |
|                                 |            | B      |                            |            |                                  | 3.53   |             |        |       |       | 89.66   |       |         |       |         |       |    |
|                                 |            | C      |                            |            |                                  | 4.53   |             |        |       |       | 115.06  |       |         |       |         |       |    |
|                                 | 05         | 1      |                            | 7          |                                  | STD.   | 0.75        | 19.05  | 0.88  | 22.23 | 1.53    | 38.86 | 1.50    | 38.10 | 1.50    | 38.10 |    |
|                                 |            | A      |                            |            |                                  | 2.53   |             |        |       |       | 64.26   |       |         |       |         |       |    |
| B                               |            | 3.53   | 89.66                      |            |                                  |        |             |        |       |       |         |       |         |       |         |       |    |
| C                               |            | 4.53   | 115.06                     |            |                                  |        |             |        |       |       |         |       |         |       |         |       |    |
| 06                              | 1          | 8      | STD.                       | 0.88       | 22.23                            | 1.00   | 25.40       | 1.53   | 38.86 | 1.63  | 41.40   | 1.63  | 41.40   |       |         |       |    |
|                                 | A          |        | 2.53                       |            |                                  |        |             | 64.26  |       |       |         |       |         |       |         |       |    |
|                                 | B          |        | 3.53                       |            |                                  |        |             | 89.66  |       |       |         |       |         |       |         |       |    |
|                                 | C          |        | 4.53                       |            |                                  |        |             | 115.06 |       |       |         |       |         |       |         |       |    |

Table Continued

### Connector Group - K

### Straight

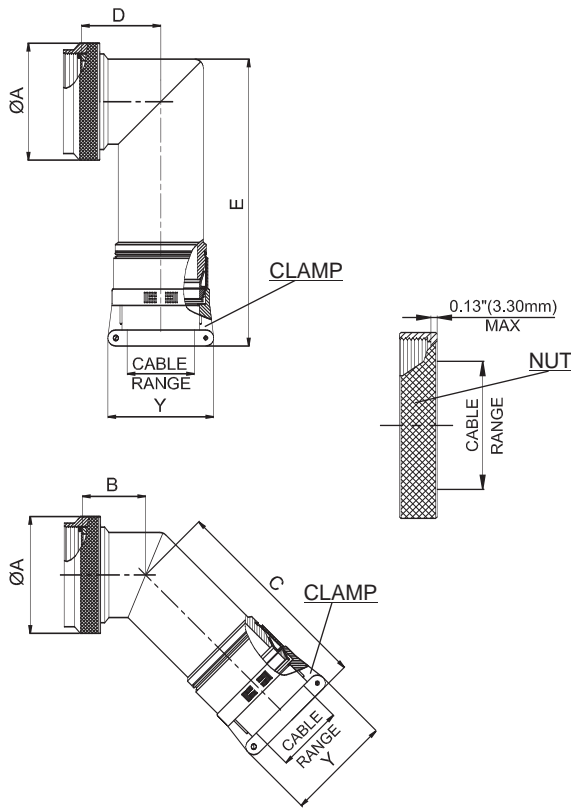
TABLE - A

| AMPHENOL PART NUMBER DESIGNATOR |            |        | MIL PART NUMBER DESIGNATOR |            | CONNECTOR SHELL SIZE SE - II / I | LENGTH | CABLE RANGE |       |      |       | L (MAX) |       | X (MAX) |       | Y (MAX) |       |    |
|---------------------------------|------------|--------|----------------------------|------------|----------------------------------|--------|-------------|-------|------|-------|---------|-------|---------|-------|---------|-------|----|
| SHELL SIZE                      | ENTRY SIZE | LENGTH | ACCESSORY SHELL SIZE       | CLAMP SIZE |                                  |        | MIN         | MAX   |      | INCH  | MM      | INCH  | MM      | INCH  | MM      | INCH  | MM |
|                                 |            |        |                            |            |                                  |        |             | INCH  | MM   |       |         |       |         |       |         |       |    |
| 22                              | 01         | 1      | 22                         | 3          | 22 / 23                          | STD.   | 0.25        | 6.35  | 0.38 | 9.53  | 1.53    | 38.86 | 1.25    | 31.75 | 1.06    | 26.92 |    |
|                                 |            | A      |                            |            |                                  | 2.53   |             |       |      |       | 64.26   |       |         |       |         |       |    |
|                                 |            | B      |                            |            |                                  | 3.53   |             |       |      |       | 89.66   |       |         |       |         |       |    |
|                                 |            | C      |                            |            |                                  | 4.53   |             |       |      |       | 115.06  |       |         |       |         |       |    |
|                                 | 02         | 1      |                            |            |                                  | STD.   | 0.38        | 9.53  | 0.50 | 12.70 | 1.53    | 38.86 | 1.25    | 31.75 | 1.16    | 29.46 |    |
|                                 |            | A      |                            |            |                                  | 2.53   |             |       |      |       | 64.26   |       |         |       |         |       |    |
|                                 |            | B      |                            |            |                                  | 3.53   |             |       |      |       | 89.66   |       |         |       |         |       |    |
|                                 |            | C      |                            |            |                                  | 4.53   |             |       |      |       | 115.06  |       |         |       |         |       |    |
|                                 | 03         | 1      |                            |            |                                  | STD.   | 0.50        | 12.70 | 0.63 | 15.88 | 1.53    | 38.86 | 1.31    | 33.27 | 1.25    | 31.75 |    |
|                                 |            | A      |                            |            |                                  | 2.53   |             |       |      |       | 64.26   |       |         |       |         |       |    |
|                                 |            | B      |                            |            |                                  | 3.53   |             |       |      |       | 89.66   |       |         |       |         |       |    |
|                                 |            | C      |                            |            |                                  | 4.53   |             |       |      |       | 115.06  |       |         |       |         |       |    |
|                                 | 04         | 1      |                            |            |                                  | STD.   | 0.63        | 15.88 | 0.75 | 19.05 | 1.53    | 38.86 | 1.38    | 35.05 | 1.38    | 35.05 |    |
|                                 |            | A      |                            |            |                                  | 2.53   |             |       |      |       | 64.26   |       |         |       |         |       |    |
|                                 |            | B      |                            |            |                                  | 3.53   |             |       |      |       | 89.66   |       |         |       |         |       |    |
|                                 |            | C      |                            |            |                                  | 4.53   |             |       |      |       | 115.06  |       |         |       |         |       |    |
| 22                              | 05         | 1      | 22                         | 7          | 22 / 23                          | STD.   | 0.75        | 19.05 | 0.88 | 22.23 | 1.53    | 38.86 | 1.50    | 38.10 | 1.50    | 38.10 |    |
|                                 |            | A      |                            |            |                                  | 2.53   |             |       |      |       | 64.26   |       |         |       |         |       |    |
|                                 |            | B      |                            |            |                                  | 3.53   |             |       |      |       | 89.66   |       |         |       |         |       |    |
|                                 |            | C      |                            |            |                                  | 4.53   |             |       |      |       | 115.06  |       |         |       |         |       |    |
|                                 | 06         | 1      |                            |            |                                  | STD.   | 0.88        | 22.23 | 1.00 | 25.40 | 1.53    | 38.86 | 1.63    | 41.40 | 1.63    | 41.40 |    |
|                                 |            | A      |                            |            |                                  | 2.53   |             |       |      |       | 64.26   |       |         |       |         |       |    |
|                                 |            | B      |                            |            |                                  | 3.53   |             |       |      |       | 89.66   |       |         |       |         |       |    |
|                                 |            | C      |                            |            |                                  | 4.53   |             |       |      |       | 115.06  |       |         |       |         |       |    |
|                                 | 17         | 1      |                            |            |                                  | STD.   | 1.00        | 25.40 | 1.13 | 28.58 | 1.53    | 38.86 | 1.63    | 41.40 | 1.75    | 44.45 |    |
|                                 |            | A      |                            |            |                                  | 2.53   |             |       |      |       | 64.26   |       |         |       |         |       |    |
|                                 |            | B      |                            |            |                                  | 3.53   |             |       |      |       | 89.66   |       |         |       |         |       |    |
|                                 |            | C      |                            |            |                                  | 4.53   |             |       |      |       | 115.06  |       |         |       |         |       |    |
| 24                              | 01         | 1      | 24                         | 4          | 24 / 25                          | STD.   | 0.38        | 9.53  | 0.50 | 12.70 | 1.53    | 38.86 | 1.25    | 31.75 | 1.16    | 29.46 |    |
|                                 |            | A      |                            |            |                                  | 2.53   |             |       |      |       | 64.26   |       |         |       |         |       |    |
|                                 |            | B      |                            |            |                                  | 3.53   |             |       |      |       | 89.66   |       |         |       |         |       |    |
|                                 |            | C      |                            |            |                                  | 4.53   |             |       |      |       | 115.06  |       |         |       |         |       |    |
|                                 | 02         | 1      |                            |            |                                  | STD.   | 0.50        | 12.70 | 0.63 | 15.88 | 1.53    | 38.86 | 1.31    | 33.27 | 1.25    | 31.75 |    |
|                                 |            | A      |                            |            |                                  | 2.53   |             |       |      |       | 64.26   |       |         |       |         |       |    |
|                                 |            | B      |                            |            |                                  | 3.53   |             |       |      |       | 89.66   |       |         |       |         |       |    |
|                                 |            | C      |                            |            |                                  | 4.53   |             |       |      |       | 115.06  |       |         |       |         |       |    |
|                                 | 03         | 1      |                            |            |                                  | STD.   | 0.63        | 15.88 | 0.75 | 19.05 | 1.53    | 38.86 | 1.38    | 35.05 | 1.38    | 35.05 |    |
|                                 |            | A      |                            |            |                                  | 2.53   |             |       |      |       | 64.26   |       |         |       |         |       |    |
|                                 |            | B      |                            |            |                                  | 3.53   |             |       |      |       | 89.66   |       |         |       |         |       |    |
|                                 |            | C      |                            |            |                                  | 4.53   |             |       |      |       | 115.06  |       |         |       |         |       |    |
|                                 | 04         | 1      |                            |            |                                  | STD.   | 0.75        | 19.05 | 0.88 | 22.23 | 1.53    | 38.86 | 1.50    | 38.10 | 1.50    | 38.10 |    |
|                                 |            | A      |                            |            |                                  | 2.53   |             |       |      |       | 64.26   |       |         |       |         |       |    |
|                                 |            | B      |                            |            |                                  | 3.53   |             |       |      |       | 89.66   |       |         |       |         |       |    |
|                                 |            | C      |                            |            |                                  | 4.53   |             |       |      |       | 115.06  |       |         |       |         |       |    |
|                                 | 05         | 1      |                            |            |                                  | STD.   | 0.88        | 22.23 | 1.00 | 25.40 | 1.53    | 38.86 | 1.63    | 41.40 | 1.63    | 41.40 |    |
|                                 |            | A      |                            |            |                                  | 2.53   |             |       |      |       | 64.26   |       |         |       |         |       |    |
|                                 |            | B      |                            |            |                                  | 3.53   |             |       |      |       | 89.66   |       |         |       |         |       |    |
|                                 |            | C      |                            |            |                                  | 4.53   |             |       |      |       | 115.06  |       |         |       |         |       |    |
|                                 | 06         | 1      |                            |            |                                  | STD.   | 1.00        | 25.40 | 1.13 | 28.58 | 1.53    | 38.86 | 1.63    | 41.40 | 1.75    | 44.45 |    |
|                                 |            | A      |                            |            |                                  | 2.53   |             |       |      |       | 64.26   |       |         |       |         |       |    |
|                                 |            | B      |                            |            |                                  | 3.53   |             |       |      |       | 89.66   |       |         |       |         |       |    |
|                                 |            | C      |                            |            |                                  | 4.53   |             |       |      |       | 115.06  |       |         |       |         |       |    |
|                                 | 07         | 1      |                            |            |                                  | STD.   | 1.13        | 28.58 | 1.25 | 31.75 | 1.53    | 38.86 | 1.63    | 41.40 | 1.88    | 47.75 |    |
|                                 |            | A      |                            |            |                                  | 2.53   |             |       |      |       | 64.26   |       |         |       |         |       |    |
|                                 |            | B      |                            |            |                                  | 3.53   |             |       |      |       | 89.66   |       |         |       |         |       |    |
|                                 |            | C      |                            |            |                                  | 4.53   |             |       |      |       | 115.06  |       |         |       |         |       |    |

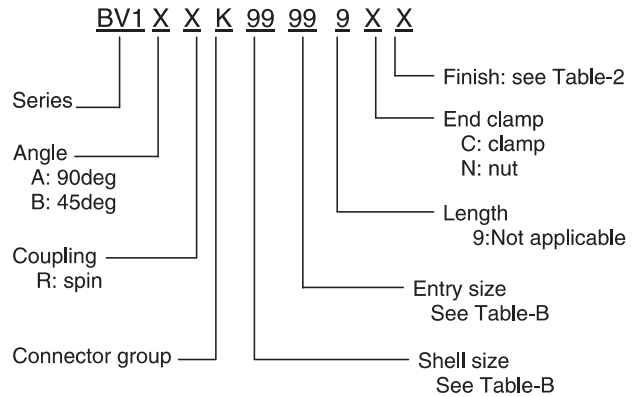


### Connector Group - K

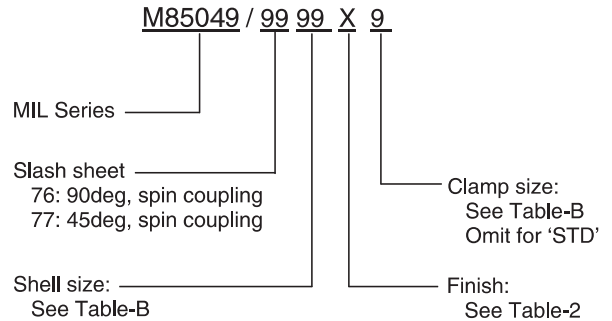
90°, 45°



#### Amphenol Part Number



#### MIL Part Number



**NOTE:** \* For more cable entry options, contact factory

**TABLE - B**

| AMPHENOL PART NUMBER DESIGNATOR |            | MIL PART NUMBER DESIGNATOR |            | CONNECTOR SHELL SIZE SE - II / I | CABLE RANGE |       |      |       | A DIA. (MAX) |       | B (MAX) |       | C (MAX) |       | D (MAX) |       | E (MAX) |       | Y (MAX) |       |
|---------------------------------|------------|----------------------------|------------|----------------------------------|-------------|-------|------|-------|--------------|-------|---------|-------|---------|-------|---------|-------|---------|-------|---------|-------|
| SHELL SIZE                      | ENTRY SIZE | ACCESSORY SHELL SIZE       | CLAMP SIZE |                                  | MIN         |       | MAX  |       | INCH         | MM    | INCH    | MM    | INCH    | MM    | INCH    | MM    | INCH    | MM    | INCH    | MM    |
|                                 |            |                            |            |                                  | INCH        | MM    | INCH | MM    |              |       |         |       |         |       |         |       |         |       |         |       |
| 08                              | 01         | 08                         | 1          | 8 / 9                            | 0.06        | 1.57  | 0.13 | 3.18  | 0.75         | 19.05 | 0.46    | 11.68 | 3.15    | 80.01 | 0.69    | 17.53 | 3.46    | 87.88 | 0.80    | 20.32 |
|                                 | 02         |                            | 2          |                                  | 0.13        | 3.18  | 0.25 | 6.35  |              |       |         |       |         |       |         |       |         |       | 1.00    | 25.40 |
| 10                              | 01         | 10                         | 1          | 10 / 11                          | 0.06        | 1.57  | 0.13 | 3.18  | 0.85         | 21.59 | 0.52    | 13.21 | 3.21    | 81.53 | 0.78    | 19.81 | 3.58    | 90.93 | 0.80    | 20.32 |
|                                 | 02         |                            | 2          |                                  | 0.13        | 3.18  | 0.25 | 6.35  |              |       |         |       |         |       |         |       |         |       | 1.00    | 25.40 |
|                                 | 03         |                            | 3          |                                  | 0.25        | 6.35  | 0.38 | 9.53  |              |       |         |       |         |       |         |       |         |       | 1.10    | 27.94 |
| 12                              | 01         | 12                         | 2          | 12 / 13                          | 0.13        | 3.18  | 0.25 | 6.35  | 1.00         | 25.40 | 0.58    | 14.73 | 3.27    | 83.06 | 0.80    | 20.32 | 3.60    | 91.44 | 1.00    | 25.40 |
|                                 | 02         |                            | 3          |                                  | 0.25        | 6.35  | 0.38 | 9.53  |              |       |         |       |         |       |         |       |         |       | 1.10    | 27.94 |
|                                 | 03         |                            | 4          |                                  | 0.38        | 9.53  | 0.50 | 12.70 |              |       |         |       |         |       |         |       |         |       | 1.20    | 30.48 |
|                                 | 04         |                            | 5          |                                  | 0.50        | 12.70 | 0.63 | 15.88 |              |       |         |       |         |       |         |       |         |       | 1.40    | 35.56 |
| 14                              | 01         | 14                         | 2          | 14 / 15                          | 0.13        | 3.18  | 0.25 | 6.35  | 1.15         | 29.21 | 0.65    | 16.51 | 3.36    | 85.34 | 0.88    | 22.35 | 3.67    | 93.22 | 1.00    | 25.40 |
|                                 | 02         |                            | 3          |                                  | 0.25        | 6.35  | 0.38 | 9.53  |              |       |         |       |         |       |         |       |         |       | 1.10    | 27.94 |
|                                 | 03         |                            | 4          |                                  | 0.38        | 9.53  | 0.50 | 12.70 |              |       |         |       |         |       |         |       |         |       | 1.20    | 30.48 |
|                                 | 04         |                            | 5          |                                  | 0.50        | 12.70 | 0.63 | 15.88 |              |       |         |       |         |       |         |       |         |       | 1.25    | 31.75 |
|                                 | 05         |                            | 6          |                                  | 0.63        | 15.88 | 0.75 | 19.05 |              |       |         |       |         |       |         |       |         |       | 1.40    | 35.56 |
| 16                              | 01         | 16                         | 2          | 16 / 17                          | 0.13        | 3.18  | 0.25 | 6.35  | 1.25         | 31.75 | 0.74    | 18.80 | 3.47    | 88.14 | 0.93    | 23.62 | 3.76    | 95.50 | 1.00    | 25.40 |
|                                 | 02         |                            | 3          |                                  | 0.25        | 6.35  | 0.38 | 9.53  |              |       |         |       |         |       |         |       |         |       | 1.10    | 27.94 |
|                                 | 03         |                            | 4          |                                  | 0.38        | 9.53  | 0.50 | 12.70 |              |       |         |       |         |       |         |       |         |       | 1.20    | 30.48 |
|                                 | 04         |                            | 5          |                                  | 0.50        | 12.70 | 0.63 | 15.88 |              |       |         |       |         |       |         |       |         |       | 1.25    | 31.75 |
|                                 | 05         |                            | 6          |                                  | 0.63        | 15.88 | 0.75 | 19.05 |              |       |         |       |         |       |         |       |         |       | 1.40    | 35.56 |
|                                 | 06         |                            | 7          |                                  | 0.75        | 19.05 | 0.88 | 22.23 |              |       |         |       |         |       |         |       |         |       | 1.50    | 38.10 |
| 18                              | 01         | 18                         | 3          | 18 / 19                          | 0.25        | 6.35  | 0.38 | 9.53  | 1.40         | 35.56 | 0.93    | 23.62 | 3.66    | 92.96 | 1.01    | 25.65 | 3.93    | 99.82 | 1.10    | 27.94 |
|                                 | 02         |                            | 4          |                                  | 0.38        | 9.53  | 0.50 | 12.70 |              |       |         |       |         |       |         |       |         |       | 1.20    | 30.48 |
|                                 | 03         |                            | 5          |                                  | 0.50        | 12.70 | 0.63 | 15.88 |              |       |         |       |         |       |         |       |         |       | 1.25    | 31.75 |
|                                 | 04         |                            | 6          |                                  | 0.63        | 15.88 | 0.75 | 19.05 |              |       |         |       |         |       |         |       |         |       | 1.40    | 35.56 |
|                                 | 05         |                            | 7          |                                  | 0.75        | 19.05 | 0.88 | 22.23 |              |       |         |       |         |       |         |       |         |       | 1.50    | 38.10 |

Table Continued

Connector Group - K

90°, 45°

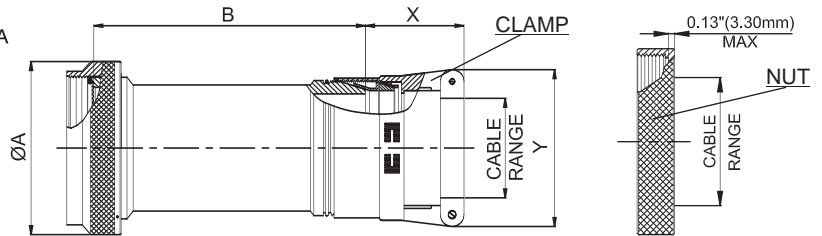
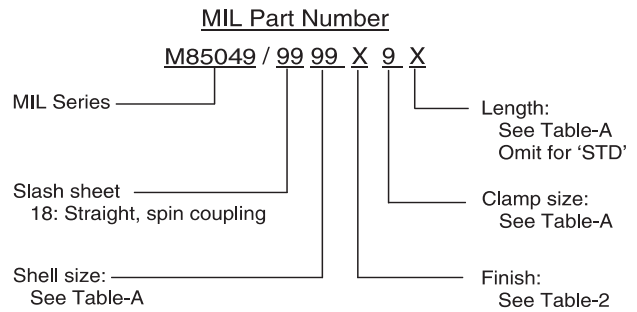
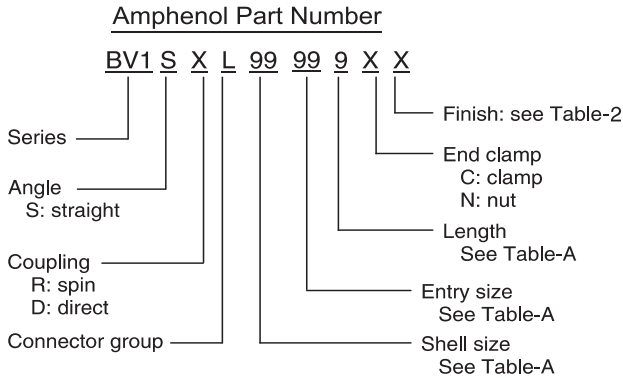
TABLE - B

| AMPHENOL PART NUMBER DESIGNATOR |            | MIL PART NUMBER DESIGNATOR |            | CONNECTOR SHELL SIZE SE - II / I | CABLE RANGE |       |      |       | A DIA. (MAX) |       | B (MAX) |       | C (MAX) |       | D (MAX) |       | E (MAX) |        | Y (MAX) |       |
|---------------------------------|------------|----------------------------|------------|----------------------------------|-------------|-------|------|-------|--------------|-------|---------|-------|---------|-------|---------|-------|---------|--------|---------|-------|
| SHELL SIZE                      | ENTRY SIZE | ACCESSORY SHELL SIZE       | CLAMP SIZE |                                  | MIN         |       | MAX  |       | INCH         | MM    | INCH    | MM    | INCH    | MM    | INCH    | MM    | INCH    | MM     | INCH    | MM    |
|                                 |            |                            |            |                                  | INCH        | MM    | INCH | MM    |              |       |         |       |         |       |         |       |         |        |         |       |
| 20                              | 01         | 20                         | 3          | 20 / 21                          | 0.25        | 6.35  | 0.38 | 9.53  | 1.55         | 39.37 | 0.93    | 23.62 | 3.66    | 92.96 | 1.06    | 26.92 | 3.93    | 99.82  | 1.10    | 27.94 |
|                                 | 02         |                            | 4          |                                  | 0.38        | 9.53  | 0.50 | 12.70 |              |       |         |       |         |       |         |       |         |        | 1.20    | 30.48 |
|                                 | 03         |                            | 5          |                                  | 0.50        | 12.70 | 0.63 | 15.88 |              |       |         |       |         |       |         |       |         |        | 1.25    | 31.75 |
|                                 | 04         |                            | 6          |                                  | 0.63        | 15.88 | 0.75 | 19.05 |              |       |         |       |         |       |         |       |         |        | 1.40    | 35.56 |
|                                 | 05         |                            | 7          |                                  | 0.75        | 19.05 | 0.88 | 22.23 |              |       |         |       |         |       |         |       |         |        | 1.50    | 38.10 |
|                                 | 06         |                            | 8          |                                  | 0.88        | 22.23 | 1.00 | 25.40 |              |       |         |       |         |       |         |       |         |        | 1.65    | 41.91 |
| 22                              | 01         | 22                         | 3          | 22 / 23                          | 0.25        | 6.35  | 0.38 | 9.53  | 1.65         | 41.91 | 1.02    | 25.91 | 3.81    | 96.77 | 1.17    | 29.72 | 4.04    | 102.62 | 1.10    | 27.94 |
|                                 | 02         |                            | 4          |                                  | 0.38        | 9.53  | 0.50 | 12.70 |              |       |         |       |         |       |         |       |         |        | 1.20    | 30.48 |
|                                 | 03         |                            | 5          |                                  | 0.50        | 12.70 | 0.63 | 15.88 |              |       |         |       |         |       |         |       |         |        | 1.25    | 31.75 |
|                                 | 04         |                            | 6          |                                  | 0.63        | 15.88 | 0.75 | 19.05 |              |       |         |       |         |       |         |       |         |        | 1.40    | 35.56 |
|                                 | 05         |                            | 7          |                                  | 0.75        | 19.05 | 0.88 | 22.23 |              |       |         |       |         |       |         |       |         |        | 1.50    | 38.10 |
|                                 | 06         |                            | 8          |                                  | 0.88        | 22.23 | 1.00 | 25.40 |              |       |         |       |         |       |         |       |         |        | 1.65    | 41.91 |
|                                 | 07         |                            | 9          |                                  | 1.00        | 25.40 | 1.13 | 28.58 |              |       |         |       |         |       |         |       |         |        | 1.75    | 44.45 |
| 24                              | 01         | 24                         | 4          | 24 / 25                          | 0.38        | 9.53  | 0.50 | 12.70 | 1.85         | 46.99 | 1.02    | 25.91 | 3.81    | 96.77 | 1.18    | 29.97 | 4.04    | 102.62 | 1.20    | 30.48 |
|                                 | 02         |                            | 5          |                                  | 0.50        | 12.70 | 0.63 | 15.88 |              |       |         |       |         |       |         |       |         |        | 1.25    | 31.75 |
|                                 | 03         |                            | 6          |                                  | 0.63        | 15.88 | 0.75 | 19.05 |              |       |         |       |         |       |         |       |         |        | 1.40    | 35.56 |
|                                 | 04         |                            | 7          |                                  | 0.75        | 19.05 | 0.88 | 22.23 |              |       |         |       |         |       |         |       |         |        | 1.50    | 38.10 |
|                                 | 05         |                            | 8          |                                  | 0.88        | 22.23 | 1.00 | 25.40 |              |       |         |       |         |       |         |       |         |        | 1.65    | 41.91 |
|                                 | 06         |                            | 9          |                                  | 1.00        | 25.40 | 1.13 | 28.58 |              |       |         |       |         |       |         |       |         |        | 1.75    | 44.45 |
|                                 | 07         |                            | 10         |                                  | 1.13        | 28.58 | 1.25 | 31.75 |              |       |         |       |         |       |         |       |         |        | 1.90    | 48.26 |



### Connector Group - L

### Straight



**NOTE:** \* For more cable entry and length options, contact factory

| TABLE - A                       |            |        |                            |            |        |                                  |             |        |        |       |              |       |         |       |         |       |         |       |       |       |       |       |       |       |      |       |       |       |      |       |      |       |
|---------------------------------|------------|--------|----------------------------|------------|--------|----------------------------------|-------------|--------|--------|-------|--------------|-------|---------|-------|---------|-------|---------|-------|-------|-------|-------|-------|-------|-------|------|-------|-------|-------|------|-------|------|-------|
| AMPHENOL PART NUMBER DESIGNATOR |            |        | MIL PART NUMBER DESIGNATOR |            |        | CONNECTOR SHELL SIZE/CODE (REF.) | CABLE RANGE |        |        |       | A DIA. (MAX) |       | B (MAX) |       | X (MAX) |       | Y (MAX) |       |       |       |       |       |       |       |      |       |       |       |      |       |      |       |
| SHELL SIZE                      | ENTRY SIZE | LENGTH | CONNECTOR SHELL SIZE       | CLAMP SIZE | LENGTH |                                  | MIN         |        | MAX    |       | INCH         | MM    | INCH    | MM    | INCH    | MM    | INCH    | MM    |       |       |       |       |       |       |      |       |       |       |      |       |      |       |
|                                 |            |        |                            |            |        |                                  | INCH        | MM     | INCH   | MM    |              |       |         |       |         |       |         |       |       |       |       |       |       |       |      |       |       |       |      |       |      |       |
| 08                              | 01         | 1      | 09                         | 1          | STD.   | 09 / A                           | 0.06        | 1.57   | 0.13   | 3.18  | 0.75         | 19.05 | 1.53    | 38.86 | 1.25    | 31.75 | 0.80    | 20.32 |       |       |       |       |       |       |      |       |       |       |      |       |      |       |
|                                 |            | 2      |                            |            | A      |                                  |             |        |        |       |              |       | 2.53    | 64.26 |         |       |         |       |       |       |       |       |       |       |      |       |       |       |      |       |      |       |
|                                 |            | 1      |                            |            | STD.   |                                  |             |        |        |       |              |       | 1.53    | 38.86 |         |       |         |       |       |       |       |       |       |       |      |       |       |       |      |       |      |       |
|                                 | 10         | 02     |                            | 2          | 11     |                                  | 2           | A      | 11 / B | 0.13  |              |       | 3.18    | 0.25  | 6.35    | 0.85  | 21.59   | 2.53  | 64.26 | 1.25  | 31.75 | 1.00  | 25.40 |       |      |       |       |       |      |       |      |       |
|                                 |            |        |                            | 1          |        |                                  |             | STD.   |        |       |              |       |         |       |         |       |         | 1.53  | 38.86 |       |       |       |       |       |      |       |       |       |      |       |      |       |
|                                 |            |        |                            | 2          |        |                                  |             | A      |        |       |              |       |         |       |         |       |         | 2.53  | 64.26 |       |       |       |       |       |      |       |       |       |      |       |      |       |
| 12                              |            | 03     | 1                          | 13         |        | 3                                | STD.        | 13 / C |        | 0.25  | 6.35         | 0.38  | 9.53    | 1.00  | 25.40   |       |         | 1.53  | 38.86 | 1.25  | 31.75 | 1.10  | 27.94 |       |      |       |       |       |      |       |      |       |
|                                 |            |        | 2                          |            |        |                                  | A           |        |        |       |              |       |         |       |         |       |         | 2.53  | 64.26 |       |       |       |       |       |      |       |       |       |      |       |      |       |
|                                 |            |        | 1                          |            |        |                                  | STD.        |        |        |       |              |       |         |       |         |       |         | 1.53  | 38.86 |       |       |       |       |       |      |       |       |       |      |       |      |       |
|                                 | 14         | 01     | 2                          |            | 15     | 2                                | A           |        | 15 / D | 0.13  | 3.18         | 0.25  | 6.35    |       |         | 1.15  | 29.21   | 2.53  | 64.26 | 1.25  | 31.75 | 1.00  | 25.40 |       |      |       |       |       |      |       |      |       |
|                                 |            |        | 3                          |            |        |                                  | B           |        |        |       |              |       |         |       |         |       |         | 3.53  | 89.66 |       |       |       |       |       |      |       |       |       |      |       |      |       |
|                                 |            |        | 1                          |            |        |                                  | STD.        |        |        |       |              |       |         |       |         |       |         | 1.53  | 38.86 |       |       |       |       |       |      |       |       |       |      |       |      |       |
| 02                              |            |        | 2                          | A          |        |                                  | 3           | 3      |        |       |              |       |         | 3     | 0.25    |       |         | 6.35  | 0.38  |       |       |       |       | 9.53  | 1.25 | 31.75 | 1.10  | 27.94 |      |       |      |       |
|                                 |            |        | 3                          | B          |        |                                  |             |        |        |       |              |       |         |       |         |       |         |       |       |       |       |       |       |       |      |       |       |       | 3.53 | 89.66 |      |       |
|                                 |            |        | 1                          | STD.       |        |                                  |             |        |        |       |              |       |         |       |         |       |         |       |       |       |       |       |       |       |      |       |       |       | 1.53 | 38.86 |      |       |
|                                 |            | 03     | 2                          | A          |        | 4                                |             |        |        | 4     | 4            | 0.38  | 9.53    |       |         |       |         |       |       | 0.50  | 12.70 | 1.25  | 31.75 |       |      |       |       |       | 1.20 | 30.48 |      |       |
|                                 |            |        | 3                          | B          |        |                                  |             |        |        |       |              |       |         |       |         |       |         |       |       |       |       |       |       |       |      |       |       |       |      |       | 3.53 | 89.66 |
|                                 |            |        | 1                          | STD.       |        |                                  |             |        |        |       |              |       |         |       |         |       |         |       |       |       |       |       |       |       |      |       |       |       |      |       | 1.53 | 38.86 |
| 04                              |            |        | 2                          | A          |        |                                  | 5           | 5      |        |       |              |       |         | 5     | 0.50    |       |         | 12.70 | 0.63  |       |       |       |       | 15.88 | 1.31 | 33.27 | 1.25  | 31.75 |      |       |      |       |
|                                 |            |        | 3                          | B          |        |                                  |             |        |        |       |              |       |         |       |         |       |         |       |       |       |       |       |       |       |      |       |       |       |      |       | 3.53 | 89.66 |
|                                 |            |        | 1                          | STD.       |        |                                  |             |        |        |       |              |       |         |       |         |       |         |       |       |       |       |       |       |       |      |       |       |       |      |       | 1.53 | 38.86 |
|                                 | 16         | 01     | 2                          | 17         | 2      | A                                |             |        | 17 / E | 0.13  | 3.18         | 0.25  | 6.35    |       |         | 1.25  | 31.75   |       |       | 2.53  | 64.26 | 1.25  | 31.75 |       |      |       |       |       | 1.00 | 25.40 |      |       |
|                                 |            |        | 3                          |            |        | B                                |             |        |        |       |              |       |         |       |         |       |         |       |       | 3.53  | 89.66 |       |       |       |      |       |       |       |      |       |      |       |
|                                 |            |        | 1                          |            |        | STD.                             |             |        |        |       |              |       |         |       |         |       |         |       |       | 1.53  | 38.86 |       |       |       |      |       |       |       |      |       |      |       |
| 02                              |            |        | 2                          |            |        | A                                | 3           | 3      |        |       |              |       |         | 3     | 0.25    |       |         | 6.35  | 0.38  | 9.53  | 1.25  |       |       | 31.75 | 1.10 | 27.94 |       |       |      |       |      |       |
|                                 |            |        | 3                          |            |        | B                                |             |        |        |       |              |       |         |       |         |       |         |       |       |       |       |       |       |       |      |       | 3.53  | 89.66 |      |       |      |       |
|                                 |            |        | 1                          |            |        | STD.                             |             |        |        |       |              |       |         |       |         |       |         |       |       |       |       |       |       |       |      |       | 1.53  | 38.86 |      |       |      |       |
|                                 |            | 03     | 2                          |            | A      | 4                                |             |        |        | 4     | 4            | 0.38  | 9.53    |       |         |       |         |       |       |       |       | 0.50  | 12.70 |       |      |       | 1.25  | 31.75 | 1.20 | 30.48 |      |       |
|                                 |            |        | 3                          |            | B      |                                  |             |        |        |       |              |       |         |       |         |       |         |       |       |       |       |       |       |       |      |       |       |       |      |       | 3.53 | 89.66 |
|                                 |            |        | 1                          |            | STD.   |                                  |             |        |        |       |              |       |         |       |         |       |         |       |       |       |       |       |       |       |      |       |       |       |      |       | 1.53 | 38.86 |
| 04                              |            |        | 2                          |            | A      |                                  | 5           | 5      |        |       |              |       |         | 5     | 0.50    |       |         | 12.70 | 0.63  | 15.88 | 1.31  |       |       | 33.27 | 1.25 | 31.75 |       |       |      |       |      |       |
|                                 |            |        | 3                          |            | B      |                                  |             |        |        |       |              |       |         |       |         |       |         |       |       |       |       |       |       |       |      |       |       |       |      |       | 3.53 | 89.66 |
|                                 |            |        | 1                          |            | STD.   |                                  |             |        |        |       |              |       |         |       |         |       |         |       |       |       |       |       |       |       |      |       |       |       |      |       | 1.53 | 38.86 |
|                                 | 05         | 2      | A                          | 6          | 6      | 6                                |             |        | 0.63   | 15.88 | 0.75         | 19.05 | 1.38    |       |         | 35.05 | 1.40    |       |       |       |       | 35.56 |       |       |      |       |       |       |      |       |      |       |
|                                 |            | 3      | B                          |            |        |                                  |             |        |        |       |              |       |         |       |         |       |         |       |       |       |       |       | 3.53  |       |      |       | 89.66 |       |      |       |      |       |
|                                 |            | 1      | STD.                       |            |        |                                  |             |        |        |       |              |       |         |       |         |       |         |       |       |       |       |       | 1.53  |       |      |       | 38.86 |       |      |       |      |       |

Table Continued

### Connector Group - L

### Straight

TABLE - A

| AMPHENOL PART NUMBER DESIGNATOR |            |        | MIL PART NUMBER DESIGNATOR |            |        | CONNECTOR SHELL SIZE/CODE (REF.) | CABLE RANGE |       |       |       | A DIA. (MAX) |       | B (MAX) |        | X (MAX) |       | Y (MAX) |       |       |
|---------------------------------|------------|--------|----------------------------|------------|--------|----------------------------------|-------------|-------|-------|-------|--------------|-------|---------|--------|---------|-------|---------|-------|-------|
| SHELL SIZE                      | ENTRY SIZE | LENGTH | CONNECTOR SHELL SIZE       | CLAMP SIZE | LENGTH |                                  | MIN         |       | MAX   |       | INCH         | MM    | INCH    | MM     | INCH    | MM    | INCH    | MM    |       |
|                                 |            |        |                            |            |        |                                  | INCH        | MM    | INCH  | MM    |              |       |         |        |         |       |         |       |       |
| 18                              | 01         | 1      | 19                         | 3          | STD.   | 19 / F                           | 0.25        | 6.35  | 0.38  | 9.53  | 1.40         | 35.56 | 1.53    | 38.86  | 1.25    | 31.75 | 1.10    | 27.94 |       |
|                                 |            | 2      |                            |            | A      |                                  |             |       |       |       |              |       | 2.53    | 64.26  |         |       |         |       |       |
|                                 |            | 3      |                            |            | B      |                                  |             |       |       |       |              |       | 3.53    | 89.66  |         |       |         |       |       |
|                                 | 02         | 1      |                            | STD.       | 4      |                                  | STD.        | 0.38  | 9.53  | 0.50  |              |       | 12.70   | 1.53   | 38.86   | 1.25  | 31.75   | 1.20  | 30.48 |
|                                 |            | 2      |                            | A          |        |                                  | 2.53        |       |       |       |              |       |         | 64.26  |         |       |         |       |       |
|                                 |            | 3      |                            | B          |        |                                  | 3.53        |       |       |       |              |       |         | 89.66  |         |       |         |       |       |
|                                 | 03         | 1      |                            | STD.       | 5      |                                  | STD.        | 0.50  | 12.70 | 0.63  |              |       | 15.88   | 1.53   | 38.86   | 1.31  | 33.27   | 1.25  | 31.75 |
|                                 |            | 2      |                            | A          |        |                                  | 2.53        |       |       |       |              |       |         | 64.26  |         |       |         |       |       |
|                                 |            | 3      |                            | B          |        |                                  | 3.53        |       |       |       |              |       |         | 89.66  |         |       |         |       |       |
|                                 | 04         | 1      |                            | STD.       | 6      |                                  | STD.        | 0.63  | 15.88 | 0.75  |              |       | 19.05   | 1.53   | 38.86   | 1.38  | 35.05   | 1.40  | 35.56 |
|                                 |            | 2      |                            | A          |        |                                  | 2.53        |       |       |       |              |       |         | 64.26  |         |       |         |       |       |
|                                 |            | 3      |                            | B          |        |                                  | 3.53        |       |       |       |              |       |         | 89.66  |         |       |         |       |       |
| 05                              | 1          | STD.   | 7                          | STD.       | 0.75   | 19.05                            | 0.88        | 22.23 | 1.53  | 38.86 | 1.50         | 38.10 | 1.50    | 38.10  |         |       |         |       |       |
|                                 | 2          | A      |                            | 2.53       |        |                                  |             |       | 64.26 |       |              |       |         |        |         |       |         |       |       |
|                                 | 3          | B      |                            | 3.53       |        |                                  |             |       | 89.66 |       |              |       |         |        |         |       |         |       |       |
| 20                              | 01         | 1      | 21                         | 3          | STD.   | 21 / G                           | 0.25        | 6.35  | 0.38  | 9.53  | 1.55         | 39.37 | 1.53    | 38.86  | 1.25    | 31.75 | 1.10    | 27.94 |       |
|                                 |            | 2      |                            |            | A      |                                  |             |       |       |       |              |       | 2.53    | 64.26  |         |       |         |       |       |
|                                 |            | 3      |                            |            | B      |                                  |             |       |       |       |              |       | 3.53    | 89.66  |         |       |         |       |       |
|                                 |            | 4      |                            |            | C      |                                  |             |       |       |       |              |       | 4.53    | 115.06 |         |       |         |       |       |
|                                 | 02         | 1      |                            | STD.       | 4      |                                  | STD.        | 0.38  | 9.53  | 0.50  |              |       | 12.70   | 1.53   | 38.86   | 1.25  | 31.75   | 1.20  | 30.48 |
|                                 |            | 2      |                            | A          |        |                                  | 2.53        |       |       |       |              |       |         | 64.26  |         |       |         |       |       |
|                                 |            | 3      |                            | B          |        |                                  | 3.53        |       |       |       |              |       |         | 89.66  |         |       |         |       |       |
|                                 |            | 4      |                            | C          |        |                                  | 4.53        |       |       |       |              |       |         | 115.06 |         |       |         |       |       |
|                                 | 03         | 1      |                            | STD.       | 5      |                                  | STD.        | 0.50  | 12.70 | 0.63  |              |       | 15.88   | 1.53   | 38.86   | 1.31  | 33.27   | 1.25  | 31.75 |
|                                 |            | 2      |                            | A          |        |                                  | 2.53        |       |       |       |              |       |         | 64.26  |         |       |         |       |       |
|                                 |            | 3      |                            | B          |        |                                  | 3.53        |       |       |       |              |       |         | 89.66  |         |       |         |       |       |
|                                 |            | 4      |                            | C          |        |                                  | 4.53        |       |       |       |              |       |         | 115.06 |         |       |         |       |       |
|                                 | 04         | 1      |                            | STD.       | 6      |                                  | STD.        | 0.63  | 15.88 | 0.75  |              |       | 19.05   | 1.53   | 38.86   | 1.38  | 35.05   | 1.40  | 35.56 |
|                                 |            | 2      |                            | A          |        |                                  | 2.53        |       |       |       |              |       |         | 64.26  |         |       |         |       |       |
|                                 |            | 3      |                            | B          |        |                                  | 3.53        |       |       |       |              |       |         | 89.66  |         |       |         |       |       |
|                                 |            | 4      |                            | C          |        |                                  | 4.53        |       |       |       |              |       |         | 115.06 |         |       |         |       |       |
|                                 | 05         | 1      |                            | STD.       | 7      |                                  | STD.        | 0.75  | 19.05 | 0.88  |              |       | 22.23   | 1.53   | 38.86   | 1.50  | 38.10   | 1.50  | 38.10 |
|                                 |            | 2      |                            | A          |        |                                  | 2.53        |       |       |       |              |       |         | 64.26  |         |       |         |       |       |
|                                 |            | 3      |                            | B          |        |                                  | 3.53        |       |       |       |              |       |         | 89.66  |         |       |         |       |       |
|                                 |            | 4      |                            | C          |        |                                  | 4.53        |       |       |       |              |       |         | 115.06 |         |       |         |       |       |
|                                 | 06         | 1      |                            | STD.       | 8      |                                  | STD.        | 0.88  | 22.23 | 1.00  |              |       | 25.40   | 1.53   | 38.86   | 1.63  | 41.40   | 1.65  | 41.91 |
|                                 |            | 2      |                            | A          |        |                                  | 2.53        |       |       |       |              |       |         | 64.26  |         |       |         |       |       |
|                                 |            | 3      |                            | B          |        |                                  | 3.53        |       |       |       |              |       |         | 89.66  |         |       |         |       |       |
|                                 |            | 4      |                            | C          |        |                                  | 4.53        |       |       |       |              |       |         | 115.06 |         |       |         |       |       |
| 22                              | 01         | 1      | 23                         | 3          | STD.   | 23 / H                           | 0.25        | 6.35  | 0.38  | 9.53  | 1.65         | 41.91 | 1.53    | 38.86  | 1.25    | 31.75 | 1.10    | 27.94 |       |
|                                 |            | 2      |                            |            | A      |                                  |             |       |       |       |              |       | 2.53    | 64.26  |         |       |         |       |       |
|                                 |            | 3      |                            |            | B      |                                  |             |       |       |       |              |       | 3.53    | 89.66  |         |       |         |       |       |
|                                 |            | 4      |                            |            | C      |                                  |             |       |       |       |              |       | 4.53    | 115.06 |         |       |         |       |       |
|                                 | 02         | 1      |                            | STD.       | 4      |                                  | STD.        | 0.38  | 9.53  | 0.50  |              |       | 12.70   | 1.53   | 38.86   | 1.25  | 31.75   | 1.20  | 30.48 |
|                                 |            | 2      |                            | A          |        |                                  | 2.53        |       |       |       |              |       |         | 64.26  |         |       |         |       |       |
|                                 |            | 3      |                            | B          |        |                                  | 3.53        |       |       |       |              |       |         | 89.66  |         |       |         |       |       |
|                                 |            | 4      |                            | C          |        |                                  | 4.53        |       |       |       |              |       |         | 115.06 |         |       |         |       |       |
|                                 | 03         | 1      |                            | STD.       | 5      |                                  | STD.        | 0.50  | 12.70 | 0.63  |              |       | 15.88   | 1.53   | 38.86   | 1.31  | 33.27   | 1.25  | 31.75 |
|                                 |            | 2      |                            | A          |        |                                  | 2.53        |       |       |       |              |       |         | 64.26  |         |       |         |       |       |
|                                 |            | 3      |                            | B          |        |                                  | 3.53        |       |       |       |              |       |         | 89.66  |         |       |         |       |       |
|                                 |            | 4      |                            | C          |        |                                  | 4.53        |       |       |       |              |       |         | 115.06 |         |       |         |       |       |
|                                 | 04         | 1      |                            | STD.       | 6      |                                  | STD.        | 0.63  | 15.88 | 0.75  |              |       | 19.05   | 1.53   | 38.86   | 1.38  | 35.05   | 1.40  | 35.56 |
|                                 |            | 2      |                            | A          |        |                                  | 2.53        |       |       |       |              |       |         | 64.26  |         |       |         |       |       |
|                                 |            | 3      |                            | B          |        |                                  | 3.53        |       |       |       |              |       |         | 89.66  |         |       |         |       |       |
|                                 |            | 4      |                            | C          |        |                                  | 4.53        |       |       |       |              |       |         | 115.06 |         |       |         |       |       |
|                                 | 05         | 1      |                            | STD.       | 7      |                                  | STD.        | 0.75  | 19.05 | 0.88  |              |       | 22.23   | 1.53   | 38.86   | 1.50  | 38.10   | 1.50  | 38.10 |
|                                 |            | 2      |                            | A          |        |                                  | 2.53        |       |       |       |              |       |         | 64.26  |         |       |         |       |       |
|                                 |            | 3      |                            | B          |        |                                  | 3.53        |       |       |       |              |       |         | 89.66  |         |       |         |       |       |
|                                 |            | 4      |                            | C          |        |                                  | 4.53        |       |       |       |              |       |         | 115.06 |         |       |         |       |       |
|                                 | 06         | 1      |                            | STD.       | 8      |                                  | STD.        | 0.88  | 22.23 | 1.00  |              |       | 25.40   | 1.53   | 38.86   | 1.63  | 41.40   | 1.65  | 41.91 |
|                                 |            | 2      |                            | A          |        |                                  | 2.53        |       |       |       |              |       |         | 64.26  |         |       |         |       |       |
|                                 |            | 3      |                            | B          |        |                                  | 3.53        |       |       |       |              |       |         | 89.66  |         |       |         |       |       |
|                                 |            | 4      |                            | C          |        |                                  | 4.53        |       |       |       |              |       |         | 115.06 |         |       |         |       |       |
|                                 | 07         | 1      |                            | STD.       | 9      |                                  | STD.        | 1.00  | 25.40 | 1.13  |              |       | 28.58   | 1.53   | 38.86   | 1.63  | 41.40   | 1.75  | 44.45 |
|                                 |            | 2      |                            | A          |        |                                  | 2.53        |       |       |       |              |       |         | 64.26  |         |       |         |       |       |
|                                 |            | 3      |                            | B          |        |                                  | 3.53        |       |       |       |              |       |         | 89.66  |         |       |         |       |       |
|                                 |            | 4      |                            | C          |        |                                  | 4.53        |       |       |       |              |       |         | 115.06 |         |       |         |       |       |

Table Continued



### Connector Group - L

### Straight

TABLE - A

| AMPHENOL PART NUMBER DESIGNATOR |            |        | MIL PART NUMBER DESIGNATOR |            |        | CONNECTOR SHELL SIZE/CODE (REF.) | CABLE RANGE |       |       |       | A DIA. (MAX) |       | B (MAX) |        | X (MAX) |       | Y (MAX) |       |       |
|---------------------------------|------------|--------|----------------------------|------------|--------|----------------------------------|-------------|-------|-------|-------|--------------|-------|---------|--------|---------|-------|---------|-------|-------|
| SHELL SIZE                      | ENTRY SIZE | LENGTH | CONNECTOR SHELL SIZE       | CLAMP SIZE | LENGTH |                                  | MIN         |       | MAX   |       | INCH         | MM    | INCH    | MM     | INCH    | MM    | INCH    | MM    |       |
|                                 |            |        |                            |            |        |                                  | INCH        | MM    | INCH  | MM    |              |       |         |        |         |       |         |       |       |
| 18                              | 01         | 1      | 19                         | 3          | STD.   | 19 / F                           | 0.25        | 6.35  | 0.38  | 9.53  | 1.40         | 35.56 | 1.53    | 38.86  | 1.25    | 31.75 | 1.10    | 27.94 |       |
|                                 |            | 2      |                            |            | A      |                                  |             |       |       |       |              |       | 2.53    | 64.26  |         |       |         |       |       |
|                                 |            | 3      |                            |            | B      |                                  |             |       |       |       |              |       | 3.53    | 89.66  |         |       |         |       |       |
|                                 | 02         | 1      |                            | STD.       | 4      |                                  | STD.        | 0.38  | 9.53  | 0.50  |              |       | 12.70   | 1.53   | 38.86   | 1.25  | 31.75   | 1.20  | 30.48 |
|                                 |            | 2      |                            | A          |        |                                  | 2.53        |       |       |       |              |       |         | 64.26  |         |       |         |       |       |
|                                 |            | 3      |                            | B          |        |                                  | 3.53        |       |       |       |              |       |         | 89.66  |         |       |         |       |       |
|                                 | 03         | 1      |                            | STD.       | 5      |                                  | STD.        | 0.50  | 12.70 | 0.63  |              |       | 15.88   | 1.53   | 38.86   | 1.31  | 33.27   | 1.25  | 31.75 |
|                                 |            | 2      |                            | A          |        |                                  | 2.53        |       |       |       |              |       |         | 64.26  |         |       |         |       |       |
|                                 |            | 3      |                            | B          |        |                                  | 3.53        |       |       |       |              |       |         | 89.66  |         |       |         |       |       |
|                                 | 04         | 1      |                            | STD.       | 6      |                                  | STD.        | 0.63  | 15.88 | 0.75  |              |       | 19.05   | 1.53   | 38.86   | 1.38  | 35.05   | 1.40  | 35.56 |
|                                 |            | 2      |                            | A          |        |                                  | 2.53        |       |       |       |              |       |         | 64.26  |         |       |         |       |       |
|                                 |            | 3      |                            | B          |        |                                  | 3.53        |       |       |       |              |       |         | 89.66  |         |       |         |       |       |
| 05                              | 1          | STD.   | 7                          | STD.       | 0.75   | 19.05                            | 0.88        | 22.23 | 1.53  | 38.86 | 1.50         | 38.10 | 1.50    | 38.10  |         |       |         |       |       |
|                                 | 2          | A      |                            | 2.53       |        |                                  |             |       | 64.26 |       |              |       |         |        |         |       |         |       |       |
|                                 | 3          | B      |                            | 3.53       |        |                                  |             |       | 89.66 |       |              |       |         |        |         |       |         |       |       |
| 20                              | 01         | 1      | 21                         | 3          | STD.   | 21 / G                           | 0.25        | 6.35  | 0.38  | 9.53  | 1.55         | 39.37 | 1.53    | 38.86  | 1.25    | 31.75 | 1.10    | 27.94 |       |
|                                 |            | 2      |                            |            | A      |                                  |             |       |       |       |              |       | 2.53    | 64.26  |         |       |         |       |       |
|                                 |            | 3      |                            |            | B      |                                  |             |       |       |       |              |       | 3.53    | 89.66  |         |       |         |       |       |
|                                 |            | 4      |                            |            | C      |                                  |             |       |       |       |              |       | 4.53    | 115.06 |         |       |         |       |       |
|                                 | 02         | 1      |                            | STD.       | 4      |                                  | STD.        | 0.38  | 9.53  | 0.50  |              |       | 12.70   | 1.53   | 38.86   | 1.25  | 31.75   | 1.20  | 30.48 |
|                                 |            | 2      |                            | A          |        |                                  | 2.53        |       |       |       |              |       |         | 64.26  |         |       |         |       |       |
|                                 |            | 3      |                            | B          |        |                                  | 3.53        |       |       |       |              |       |         | 89.66  |         |       |         |       |       |
|                                 |            | 4      |                            | C          |        |                                  | 4.53        |       |       |       |              |       |         | 115.06 |         |       |         |       |       |
|                                 | 03         | 1      |                            | STD.       | 5      |                                  | STD.        | 0.50  | 12.70 | 0.63  |              |       | 15.88   | 1.53   | 38.86   | 1.31  | 33.27   | 1.25  | 31.75 |
|                                 |            | 2      |                            | A          |        |                                  | 2.53        |       |       |       |              |       |         | 64.26  |         |       |         |       |       |
|                                 |            | 3      |                            | B          |        |                                  | 3.53        |       |       |       |              |       |         | 89.66  |         |       |         |       |       |
|                                 |            | 4      |                            | C          |        |                                  | 4.53        |       |       |       |              |       |         | 115.06 |         |       |         |       |       |
|                                 | 04         | 1      |                            | STD.       | 6      |                                  | STD.        | 0.63  | 15.88 | 0.75  |              |       | 19.05   | 1.53   | 38.86   | 1.38  | 35.05   | 1.40  | 35.56 |
|                                 |            | 2      |                            | A          |        |                                  | 2.53        |       |       |       |              |       |         | 64.26  |         |       |         |       |       |
|                                 |            | 3      |                            | B          |        |                                  | 3.53        |       |       |       |              |       |         | 89.66  |         |       |         |       |       |
|                                 |            | 4      |                            | C          |        |                                  | 4.53        |       |       |       |              |       |         | 115.06 |         |       |         |       |       |
|                                 | 05         | 1      |                            | STD.       | 7      |                                  | STD.        | 0.75  | 19.05 | 0.88  |              |       | 22.23   | 1.53   | 38.86   | 1.50  | 38.10   | 1.50  | 38.10 |
|                                 |            | 2      |                            | A          |        |                                  | 2.53        |       |       |       |              |       |         | 64.26  |         |       |         |       |       |
|                                 |            | 3      |                            | B          |        |                                  | 3.53        |       |       |       |              |       |         | 89.66  |         |       |         |       |       |
|                                 |            | 4      |                            | C          |        |                                  | 4.53        |       |       |       |              |       |         | 115.06 |         |       |         |       |       |
|                                 | 06         | 1      |                            | STD.       | 8      |                                  | STD.        | 0.88  | 22.23 | 1.00  |              |       | 25.40   | 1.53   | 38.86   | 1.63  | 41.40   | 1.65  | 41.91 |
|                                 |            | 2      |                            | A          |        |                                  | 2.53        |       |       |       |              |       |         | 64.26  |         |       |         |       |       |
|                                 |            | 3      |                            | B          |        |                                  | 3.53        |       |       |       |              |       |         | 89.66  |         |       |         |       |       |
|                                 |            | 4      |                            | C          |        |                                  | 4.53        |       |       |       |              |       |         | 115.06 |         |       |         |       |       |
| 22                              | 01         | 1      | 23                         | 3          | STD.   | 23 / H                           | 0.25        | 6.35  | 0.38  | 9.53  | 1.65         | 41.91 | 1.53    | 38.86  | 1.25    | 31.75 | 1.10    | 27.94 |       |
|                                 |            | 2      |                            |            | A      |                                  |             |       |       |       |              |       | 2.53    | 64.26  |         |       |         |       |       |
|                                 |            | 3      |                            |            | B      |                                  |             |       |       |       |              |       | 3.53    | 89.66  |         |       |         |       |       |
|                                 |            | 4      |                            |            | C      |                                  |             |       |       |       |              |       | 4.53    | 115.06 |         |       |         |       |       |
|                                 | 02         | 1      |                            | STD.       | 4      |                                  | STD.        | 0.38  | 9.53  | 0.50  |              |       | 12.70   | 1.53   | 38.86   | 1.25  | 31.75   | 1.20  | 30.48 |
|                                 |            | 2      |                            | A          |        |                                  | 2.53        |       |       |       |              |       |         | 64.26  |         |       |         |       |       |
|                                 |            | 3      |                            | B          |        |                                  | 3.53        |       |       |       |              |       |         | 89.66  |         |       |         |       |       |
|                                 |            | 4      |                            | C          |        |                                  | 4.53        |       |       |       |              |       |         | 115.06 |         |       |         |       |       |
|                                 | 03         | 1      |                            | STD.       | 5      |                                  | STD.        | 0.50  | 12.70 | 0.63  |              |       | 15.88   | 1.53   | 38.86   | 1.31  | 33.27   | 1.25  | 31.75 |
|                                 |            | 2      |                            | A          |        |                                  | 2.53        |       |       |       |              |       |         | 64.26  |         |       |         |       |       |
|                                 |            | 3      |                            | B          |        |                                  | 3.53        |       |       |       |              |       |         | 89.66  |         |       |         |       |       |
|                                 |            | 4      |                            | C          |        |                                  | 4.53        |       |       |       |              |       |         | 115.06 |         |       |         |       |       |
|                                 | 04         | 1      |                            | STD.       | 6      |                                  | STD.        | 0.63  | 15.88 | 0.75  |              |       | 19.05   | 1.53   | 38.86   | 1.38  | 35.05   | 1.40  | 35.56 |
|                                 |            | 2      |                            | A          |        |                                  | 2.53        |       |       |       |              |       |         | 64.26  |         |       |         |       |       |
|                                 |            | 3      |                            | B          |        |                                  | 3.53        |       |       |       |              |       |         | 89.66  |         |       |         |       |       |
|                                 |            | 4      |                            | C          |        |                                  | 4.53        |       |       |       |              |       |         | 115.06 |         |       |         |       |       |

Table Continued



Connector Group - L

Straight

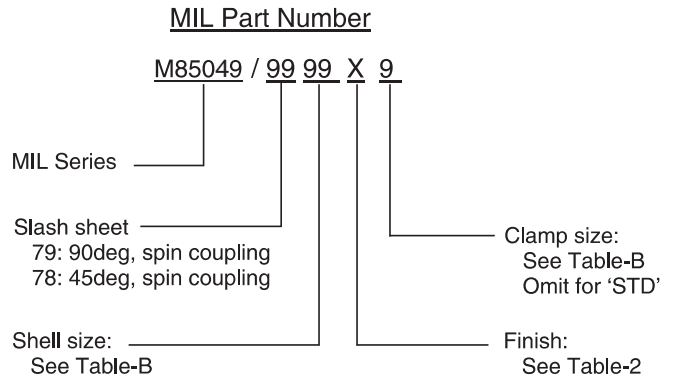
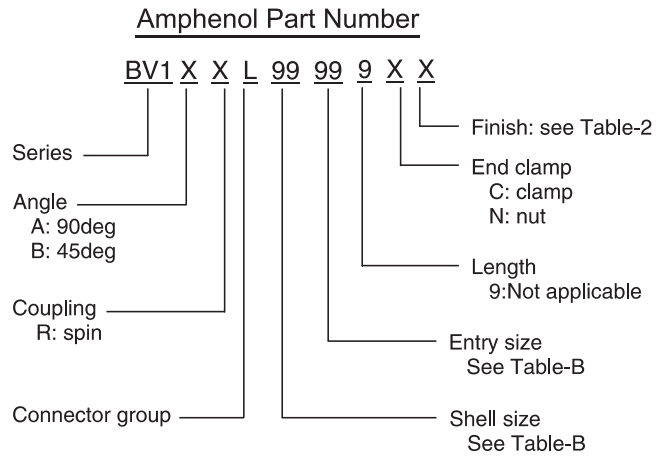
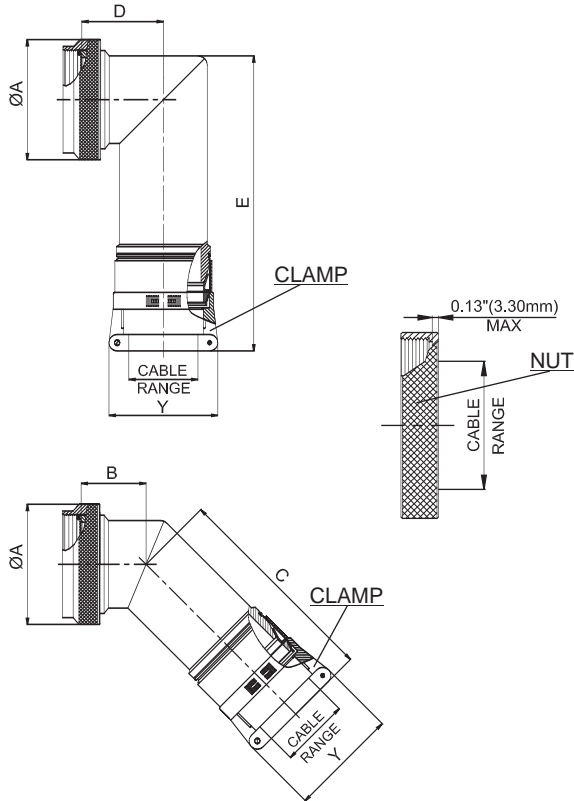
TABLE - A

| AMPHENOL PART NUMBER DESIGNATOR |            |        | MIL PART NUMBER DESIGNATOR |            |        | CONNECTOR SHELL SIZE/CODE (REF.) | CABLE RANGE |       |        |       | A DIA. (MAX) |       | B (MAX) |        | X (MAX) |       | Y (MAX) |       |       |
|---------------------------------|------------|--------|----------------------------|------------|--------|----------------------------------|-------------|-------|--------|-------|--------------|-------|---------|--------|---------|-------|---------|-------|-------|
| SHELL SIZE                      | ENTRY SIZE | LENGTH | CONNECTOR SHELL SIZE       | CLAMP SIZE | LENGTH |                                  | MIN         |       | MAX    |       | INCH         | MM    | INCH    | MM     | INCH    | MM    | INCH    | MM    |       |
|                                 |            |        |                            |            |        |                                  | INCH        | MM    | INCH   | MM    |              |       |         |        |         |       |         |       |       |
| 22                              | 05         | 1      | 23                         | 7          | STD.   | 23 / H                           | 0.75        | 19.05 | 0.88   | 22.23 | 1.65         | 41.91 | 1.53    | 38.86  | 1.50    | 38.10 | 1.50    | 38.10 |       |
|                                 |            | 2      |                            |            | A      |                                  |             |       |        |       |              |       | 2.53    | 64.26  |         |       |         |       |       |
|                                 |            | 3      |                            |            | B      |                                  |             |       |        |       |              |       | 3.53    | 89.66  |         |       |         |       |       |
|                                 |            | 4      |                            |            | C      |                                  |             |       |        |       |              |       | 4.53    | 115.06 |         |       |         |       |       |
|                                 | 06         | 1      |                            | STD.       | 8      |                                  | A           | 0.88  | 22.23  | 1.00  |              |       | 25.40   | 1.53   | 38.86   | 1.63  | 41.40   | 1.65  | 41.91 |
|                                 |            | 2      |                            | A          |        |                                  | 2.53        |       |        |       |              |       |         | 64.26  |         |       |         |       |       |
|                                 |            | 3      |                            | B          |        |                                  | 3.53        |       |        |       |              |       |         | 89.66  |         |       |         |       |       |
|                                 |            | 4      |                            | C          |        |                                  | 4.53        |       |        |       |              |       |         | 115.06 |         |       |         |       |       |
|                                 | 17         | 1      |                            | STD.       | 9      |                                  | A           | 1.00  | 25.40  | 1.13  |              |       | 28.58   | 1.53   | 38.86   | 1.63  | 41.40   | 1.75  | 44.45 |
|                                 |            | 2      |                            | A          |        |                                  | 2.53        |       |        |       |              |       |         | 64.26  |         |       |         |       |       |
|                                 |            | 3      |                            | B          |        |                                  | 3.53        |       |        |       |              |       |         | 89.66  |         |       |         |       |       |
|                                 |            | 4      |                            | C          |        |                                  | 4.53        |       |        |       |              |       |         | 115.06 |         |       |         |       |       |
| 24                              | 01         | 1      | 25                         | 4          | STD.   | 25 / J                           | 0.38        | 9.53  | 0.50   | 12.70 | 1.85         | 46.99 | 1.53    | 38.86  | 1.25    | 31.75 | 1.20    | 30.48 |       |
|                                 |            | 2      |                            |            | A      |                                  |             |       |        |       |              |       | 2.53    | 64.26  |         |       |         |       |       |
|                                 |            | 3      |                            |            | B      |                                  |             |       |        |       |              |       | 3.53    | 89.66  |         |       |         |       |       |
|                                 |            | 4      |                            |            | C      |                                  |             |       |        |       |              |       | 4.53    | 115.06 |         |       |         |       |       |
|                                 | 02         | 1      |                            | STD.       | 5      |                                  | A           | 0.50  | 12.70  | 0.63  |              |       | 15.88   | 1.53   | 38.86   | 1.31  | 33.27   | 1.25  | 31.75 |
|                                 |            | 2      |                            | A          |        |                                  | 2.53        |       |        |       |              |       |         | 64.26  |         |       |         |       |       |
|                                 |            | 3      |                            | B          |        |                                  | 3.53        |       |        |       |              |       |         | 89.66  |         |       |         |       |       |
|                                 |            | 4      |                            | C          |        |                                  | 4.53        |       |        |       |              |       |         | 115.06 |         |       |         |       |       |
|                                 | 03         | 1      |                            | STD.       | 6      |                                  | A           | 0.63  | 15.88  | 0.75  |              |       | 19.05   | 1.53   | 38.86   | 1.38  | 35.05   | 1.40  | 35.56 |
|                                 |            | 2      |                            | A          |        |                                  | 2.53        |       |        |       |              |       |         | 64.26  |         |       |         |       |       |
|                                 |            | 3      |                            | B          |        |                                  | 3.53        |       |        |       |              |       |         | 89.66  |         |       |         |       |       |
|                                 |            | 4      |                            | C          |        |                                  | 4.53        |       |        |       |              |       |         | 115.06 |         |       |         |       |       |
|                                 | 04         | 1      |                            | STD.       | 7      |                                  | A           | 0.75  | 19.05  | 0.88  |              |       | 22.23   | 1.53   | 38.86   | 1.50  | 38.10   | 1.50  | 38.10 |
|                                 |            | 2      |                            | A          |        |                                  | 2.53        |       |        |       |              |       |         | 64.26  |         |       |         |       |       |
|                                 |            | 3      |                            | B          |        |                                  | 3.53        |       |        |       |              |       |         | 89.66  |         |       |         |       |       |
|                                 |            | 4      |                            | C          |        |                                  | 4.53        |       |        |       |              |       |         | 115.06 |         |       |         |       |       |
|                                 | 05         | 1      |                            | STD.       | 8      |                                  | A           | 0.88  | 22.23  | 1.00  |              |       | 25.40   | 1.53   | 38.86   | 1.63  | 41.40   | 1.65  | 41.91 |
|                                 |            | 2      |                            | A          |        |                                  | 2.53        |       |        |       |              |       |         | 64.26  |         |       |         |       |       |
|                                 |            | 3      |                            | B          |        |                                  | 3.53        |       |        |       |              |       |         | 89.66  |         |       |         |       |       |
|                                 |            | 4      |                            | C          |        |                                  | 4.53        |       |        |       |              |       |         | 115.06 |         |       |         |       |       |
|                                 | 06         | 1      |                            | STD.       | 9      |                                  | A           | 1.00  | 25.40  | 1.13  |              |       | 28.58   | 1.53   | 38.86   | 1.63  | 41.40   | 1.75  | 44.45 |
|                                 |            | 2      |                            | A          |        |                                  | 2.53        |       |        |       |              |       |         | 64.26  |         |       |         |       |       |
|                                 |            | 3      |                            | B          |        |                                  | 3.53        |       |        |       |              |       |         | 89.66  |         |       |         |       |       |
|                                 |            | 4      |                            | C          |        |                                  | 4.53        |       |        |       |              |       |         | 115.06 |         |       |         |       |       |
| 07                              | 1          | STD.   | 10                         | A          | 1.13   | 28.58                            | 1.25        | 31.75 | 1.53   | 38.86 | 1.63         | 41.40 | 1.90    | 48.26  |         |       |         |       |       |
|                                 | 2          | A      |                            | 2.53       |        |                                  |             |       | 64.26  |       |              |       |         |        |         |       |         |       |       |
|                                 | 3          | B      |                            | 3.53       |        |                                  |             |       | 89.66  |       |              |       |         |        |         |       |         |       |       |
|                                 | 4          | C      |                            | 4.53       |        |                                  |             |       | 115.06 |       |              |       |         |        |         |       |         |       |       |



### Connector Group - L

90°, 45°



**NOTE:** \* For more cable entry options, contact factory

| AMPHENOL PART NUMBER DESIGNATOR |            | MIL PART NUMBER DESIGNATOR |            | CONNECTOR SHELL SIZE/CODE (REF.) | CABLE RANGE |       |      |       | A DIA. (MAX) |       | B (MAX) |       | C (MAX) |       | D (MAX) |       |
|---------------------------------|------------|----------------------------|------------|----------------------------------|-------------|-------|------|-------|--------------|-------|---------|-------|---------|-------|---------|-------|
| SHELL SIZE                      | ENTRY SIZE | CONNECTOR SHELL SIZE       | CLAMP SIZE |                                  | MIN         |       | MAX  |       | INCH         | MM    | INCH    | MM    | INCH    | MM    | INCH    | MM    |
|                                 |            |                            |            |                                  | INCH        | MM    | INCH | MM    |              |       |         |       |         |       |         |       |
| 08                              | 01         | 09                         | 1          | 09 / A                           | 0.06        | 1.57  | 0.13 | 3.18  | 0.75         | 19.05 | 0.46    | 11.68 | 3.15    | 80.01 | 0.69    | 17.53 |
|                                 | 02         |                            | 2          |                                  | 0.13        | 3.18  | 0.25 | 6.35  |              |       |         |       |         |       |         |       |
| 10                              | 01         | 11                         | 1          | 11 / B                           | 0.06        | 1.57  | 0.13 | 3.18  | 0.85         | 21.59 | 0.52    | 13.21 | 3.21    | 81.53 | 0.78    | 19.81 |
|                                 | 02         |                            | 2          |                                  | 0.13        | 3.18  | 0.25 | 6.35  |              |       |         |       |         |       |         |       |
|                                 | 03         |                            | 3          |                                  | 0.25        | 6.35  | 0.38 | 9.53  |              |       |         |       |         |       |         |       |
| 12                              | 01         | 13                         | 2          | 13 / C                           | 0.13        | 3.18  | 0.25 | 6.35  | 1.00         | 25.40 | 0.58    | 14.73 | 3.27    | 83.06 | 0.80    | 20.32 |
|                                 | 02         |                            | 3          |                                  | 0.25        | 6.35  | 0.38 | 9.53  |              |       |         |       |         |       |         |       |
|                                 | 03         |                            | 4          |                                  | 0.38        | 9.53  | 0.50 | 12.70 |              |       |         |       |         |       |         |       |
| 14                              | 01         | 15                         | 2          | 15 / D                           | 0.13        | 3.18  | 0.25 | 6.35  | 1.15         | 29.21 | 0.65    | 16.51 | 3.36    | 85.34 | 0.88    | 22.35 |
|                                 | 02         |                            | 3          |                                  | 0.25        | 6.35  | 0.38 | 9.53  |              |       |         |       |         |       |         |       |
|                                 | 03         |                            | 4          |                                  | 0.38        | 9.53  | 0.50 | 12.70 |              |       |         |       |         |       |         |       |
|                                 | 04         |                            | 5          |                                  | 0.50        | 12.70 | 0.63 | 15.88 |              |       |         |       |         |       |         |       |
| 16                              | 01         | 17                         | 2          | 17 / E                           | 0.13        | 3.18  | 0.25 | 6.35  | 1.25         | 31.75 | 0.74    | 18.80 | 3.47    | 88.14 | 0.93    | 23.62 |
|                                 | 02         |                            | 3          |                                  | 0.25        | 6.35  | 0.38 | 9.53  |              |       |         |       |         |       |         |       |
|                                 | 03         |                            | 4          |                                  | 0.38        | 9.53  | 0.50 | 12.70 |              |       |         |       |         |       |         |       |
|                                 | 04         |                            | 5          |                                  | 0.50        | 12.70 | 0.63 | 15.88 |              |       |         |       |         |       |         |       |
|                                 | 05         |                            | 6          |                                  | 0.63        | 15.88 | 0.75 | 19.05 |              |       |         |       |         |       |         |       |

Table Continued

Connector Group - L

90°, 45°

| TABLE - B                       |            |                            |            |                                  |             |       |      |       |              |       |         |       |         |       |         |       |
|---------------------------------|------------|----------------------------|------------|----------------------------------|-------------|-------|------|-------|--------------|-------|---------|-------|---------|-------|---------|-------|
| AMPHENOL PART NUMBER DESIGNATOR |            | MIL PART NUMBER DESIGNATOR |            | CONNECTOR SHELL SIZE/CODE (REF.) | CABLE RANGE |       |      |       | A DIA. (MAX) |       | B (MAX) |       | C (MAX) |       | D (MAX) |       |
| SHELL SIZE                      | ENTRY SIZE | CONNECTOR SHELL SIZE       | CLAMP SIZE |                                  | MIN         |       | MAX  |       | INCH         | MM    | INCH    | MM    | INCH    | MM    | INCH    | MM    |
|                                 |            |                            |            |                                  | INCH        | MM    | INCH | MM    |              |       |         |       |         |       |         |       |
| 18                              | 01         | 19                         | 3          | 19 / F                           | 0.25        | 6.35  | 0.38 | 9.53  | 1.40         | 35.56 | 0.93    | 23.62 | 3.66    | 92.96 | 1.01    | 25.65 |
|                                 | 02         |                            | 4          |                                  | 0.38        | 9.53  | 0.50 | 12.70 |              |       |         |       |         |       |         |       |
|                                 | 03         |                            | 5          |                                  | 0.50        | 12.70 | 0.63 | 15.88 |              |       |         |       |         |       |         |       |
|                                 | 04         |                            | 6          |                                  | 0.63        | 15.88 | 0.75 | 19.05 |              |       |         |       |         |       |         |       |
|                                 | 05         |                            | 7          |                                  | 0.75        | 19.05 | 0.88 | 22.23 |              |       |         |       |         |       |         |       |
| 20                              | 01         | 21                         | 3          | 21 / G                           | 0.25        | 6.35  | 0.38 | 9.53  | 1.55         | 39.37 | 0.93    | 23.62 | 3.66    | 92.96 | 1.06    | 26.92 |
|                                 | 02         |                            | 4          |                                  | 0.38        | 9.53  | 0.50 | 12.70 |              |       |         |       |         |       |         |       |
|                                 | 03         |                            | 5          |                                  | 0.50        | 12.70 | 0.63 | 15.88 |              |       |         |       |         |       |         |       |
|                                 | 04         |                            | 6          |                                  | 0.63        | 15.88 | 0.75 | 19.05 |              |       |         |       |         |       |         |       |
|                                 | 05         |                            | 7          |                                  | 0.75        | 19.05 | 0.88 | 22.23 |              |       |         |       |         |       |         |       |
|                                 | 06         |                            | 8          |                                  | 0.88        | 22.23 | 1.00 | 25.40 |              |       |         |       |         |       |         |       |
| 22                              | 01         | 23                         | 3          | 23 / H                           | 0.25        | 6.35  | 0.38 | 9.53  | 1.65         | 41.91 | 1.02    | 25.91 | 3.81    | 96.77 | 1.17    | 29.72 |
|                                 | 02         |                            | 4          |                                  | 0.38        | 9.53  | 0.50 | 12.70 |              |       |         |       |         |       |         |       |
|                                 | 03         |                            | 5          |                                  | 0.50        | 12.70 | 0.63 | 15.88 |              |       |         |       |         |       |         |       |
|                                 | 04         |                            | 6          |                                  | 0.63        | 15.88 | 0.75 | 19.05 |              |       |         |       |         |       |         |       |
|                                 | 05         |                            | 7          |                                  | 0.75        | 19.05 | 0.88 | 22.23 |              |       |         |       |         |       |         |       |
|                                 | 06         |                            | 8          |                                  | 0.88        | 22.23 | 1.00 | 25.40 |              |       |         |       |         |       |         |       |
|                                 | 07         |                            | 9          |                                  | 1.00        | 25.40 | 1.13 | 28.58 |              |       |         |       |         |       |         |       |
| 24                              | 01         | 25                         | 4          | 25 / J                           | 0.38        | 9.53  | 0.50 | 12.70 | 1.85         | 46.99 | 1.02    | 25.91 | 3.81    | 96.77 | 1.18    | 29.97 |
|                                 | 02         |                            | 5          |                                  | 0.50        | 12.70 | 0.63 | 15.88 |              |       |         |       |         |       |         |       |
|                                 | 03         |                            | 6          |                                  | 0.63        | 15.88 | 0.75 | 19.05 |              |       |         |       |         |       |         |       |
|                                 | 04         |                            | 7          |                                  | 0.75        | 19.05 | 0.88 | 22.23 |              |       |         |       |         |       |         |       |
|                                 | 05         |                            | 8          |                                  | 0.88        | 22.23 | 1.00 | 25.40 |              |       |         |       |         |       |         |       |
|                                 | 06         |                            | 9          |                                  | 1.00        | 25.40 | 1.13 | 28.58 |              |       |         |       |         |       |         |       |
|                                 | 07         |                            | 10         |                                  | 1.13        | 28.58 | 1.25 | 31.75 |              |       |         |       |         |       |         |       |

Table Continued



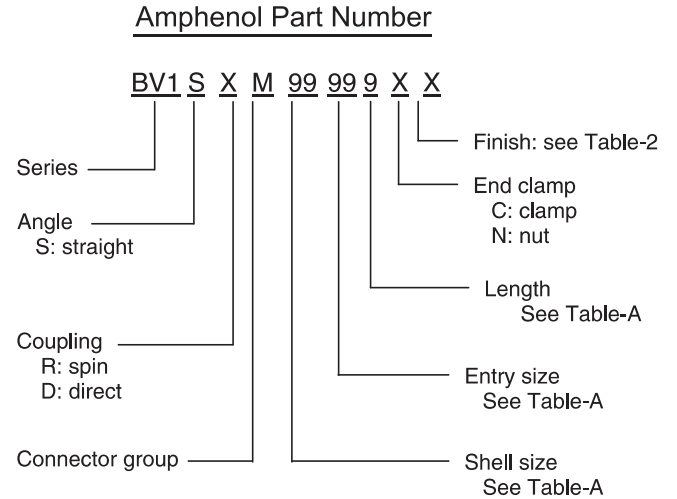
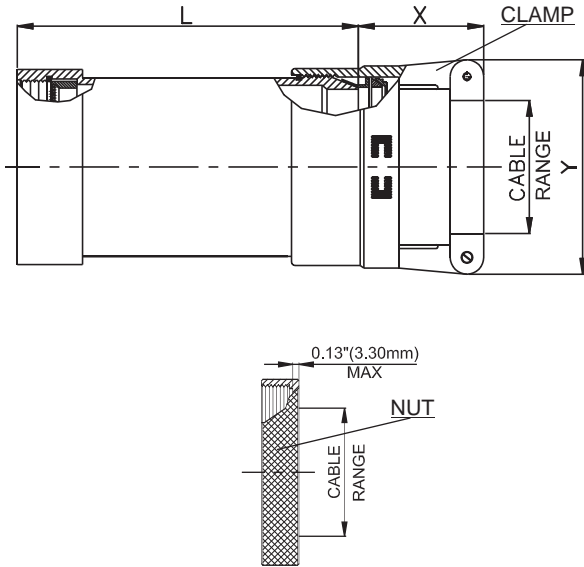
Connector Group - L

90°, 45°

| TABLE - B                             |               |                               |               |                     |         |        |         |       |
|---------------------------------------|---------------|-------------------------------|---------------|---------------------|---------|--------|---------|-------|
| AMPHENOL<br>PART NUMBER<br>DESIGNATOR |               | MIL PART NUMBER<br>DESIGNATOR |               | CONNECTOR<br>SHELL  | E (MAX) |        | Y (MAX) |       |
| SHELL<br>SIZE                         | ENTRY<br>SIZE | CONNECTOR<br>SHELL SIZE       | CLAMP<br>SIZE | SIZE/CODE<br>(REF.) | INCH    | MM     | INCH    | MM    |
| 08                                    | 01            | 09                            | 1             | 09 / A              | 3.46    | 87.88  | 0.80    | 20.32 |
|                                       | 02            |                               | 2             |                     |         |        | 1.00    | 25.40 |
| 10                                    | 01            | 11                            | 1             | 11 / B              | 3.58    | 90.93  | 0.80    | 20.32 |
|                                       | 02            |                               | 2             |                     |         |        | 1.00    | 25.40 |
|                                       | 03            |                               | 3             |                     |         |        | 1.10    | 27.94 |
| 12                                    | 01            | 13                            | 2             | 13 / C              | 3.60    | 91.44  | 1.00    | 25.40 |
|                                       | 02            |                               | 3             |                     |         |        | 1.10    | 27.94 |
|                                       | 03            |                               | 4             |                     |         |        | 1.20    | 30.48 |
| 14                                    | 01            | 15                            | 2             | 15 / D              | 3.67    | 93.22  | 1.00    | 25.40 |
|                                       | 02            |                               | 3             |                     |         |        | 1.10    | 27.94 |
|                                       | 03            |                               | 4             |                     |         |        | 1.20    | 30.48 |
|                                       | 04            |                               | 5             |                     |         |        | 1.25    | 31.75 |
| 16                                    | 01            | 17                            | 2             | 17 / E              | 3.76    | 95.50  | 1.00    | 25.40 |
|                                       | 02            |                               | 3             |                     |         |        | 1.10    | 27.94 |
|                                       | 03            |                               | 4             |                     |         |        | 1.20    | 30.48 |
|                                       | 04            |                               | 5             |                     |         |        | 1.25    | 31.75 |
|                                       | 05            |                               | 6             |                     |         |        | 1.40    | 35.56 |
| 18                                    | 01            | 19                            | 3             | 19 / F              | 3.93    | 99.82  | 1.10    | 27.94 |
|                                       | 02            |                               | 4             |                     |         |        | 1.20    | 30.48 |
|                                       | 03            |                               | 5             |                     |         |        | 1.25    | 31.75 |
|                                       | 04            |                               | 6             |                     |         |        | 1.40    | 35.56 |
|                                       | 05            |                               | 7             |                     |         |        | 1.50    | 38.10 |
| 20                                    | 01            | 21                            | 3             | 21 / G              | 3.93    | 99.82  | 1.10    | 27.94 |
|                                       | 02            |                               | 4             |                     |         |        | 1.20    | 30.48 |
|                                       | 03            |                               | 5             |                     |         |        | 1.25    | 31.75 |
|                                       | 04            |                               | 6             |                     |         |        | 1.40    | 35.56 |
|                                       | 05            |                               | 7             |                     |         |        | 1.50    | 38.10 |
|                                       | 06            |                               | 8             |                     |         |        | 1.65    | 41.91 |
| 22                                    | 01            | 23                            | 3             | 23 / H              | 4.04    | 102.62 | 1.10    | 27.94 |
|                                       | 02            |                               | 4             |                     |         |        | 1.20    | 30.48 |
|                                       | 03            |                               | 5             |                     |         |        | 1.25    | 31.75 |
|                                       | 04            |                               | 6             |                     |         |        | 1.40    | 35.56 |
|                                       | 05            |                               | 7             |                     |         |        | 1.50    | 38.10 |
|                                       | 06            |                               | 8             |                     |         |        | 1.65    | 41.91 |
|                                       | 07            |                               | 9             |                     |         |        | 1.75    | 44.45 |
| 24                                    | 01            | 25                            | 4             | 25 / J              | 4.04    | 102.62 | 1.20    | 30.48 |
|                                       | 02            |                               | 5             |                     |         |        | 1.25    | 31.75 |
|                                       | 03            |                               | 6             |                     |         |        | 1.40    | 35.56 |
|                                       | 04            |                               | 7             |                     |         |        | 1.50    | 38.10 |
|                                       | 05            |                               | 8             |                     |         |        | 1.65    | 41.91 |
|                                       | 06            |                               | 9             |                     |         |        | 1.75    | 44.45 |
|                                       | 07            |                               | 10            |                     |         |        | 1.90    | 48.26 |

### Connector Group - M

### Straight



**NOTE:** \* For more cable entry and length options, contact factory

| AMPHENOL PART NUMBER DESIGNATOR |            |        | CONNECTOR SHELL SIZE | CABLE RANGE |      |      |       | L (MAX) |       | X (MAX) |       | Y (MAX) |       |       |
|---------------------------------|------------|--------|----------------------|-------------|------|------|-------|---------|-------|---------|-------|---------|-------|-------|
| SHELL SIZE                      | ENTRY SIZE | LENGTH |                      | MIN         |      | MAX  |       | INCH    | MM    | INCH    | MM    | INCH    | MM    |       |
|                                 |            |        |                      | INCH        | MM   | INCH | MM    |         |       |         |       |         |       |       |
| 08                              | 01         | 1      | 8                    | 0.06        | 1.57 | 0.13 | 3.18  | 1.53    | 38.86 | 1.25    | 31.75 | 0.78    | 19.81 |       |
|                                 |            | 2      |                      |             |      |      |       | 2.53    | 64.26 |         |       |         |       |       |
|                                 | 02         | 1      |                      | 0.13        | 3.18 | 0.25 | 6.35  | 1.53    | 38.86 |         |       |         |       |       |
|                                 |            | 2      |                      |             |      |      |       | 2.53    | 64.26 |         |       |         |       |       |
| 10                              | 01         | 1      |                      | 10          | 0.06 | 1.57 | 0.13  | 3.18    | 1.53  | 38.86   | 1.25  | 31.75   | 0.78  | 19.81 |
|                                 |            | 2      |                      |             |      |      |       |         | 2.53  | 64.26   |       |         |       |       |
|                                 | 02         | 1      |                      |             | 0.13 | 3.18 | 0.25  | 6.35    | 1.53  | 38.86   |       |         |       |       |
|                                 |            | 2      |                      |             |      |      |       |         | 2.53  | 64.26   |       |         |       |       |
|                                 | 03         | 1      | 0.25                 |             | 6.35 | 0.38 | 9.53  | 1.53    | 38.86 |         |       |         |       |       |
|                                 |            | 2      |                      |             |      |      |       | 2.53    | 64.26 |         |       |         |       |       |
| 12                              | 01         | 1      | 12                   | 0.13        | 3.18 | 0.25 | 6.35  | 1.53    | 38.86 | 1.25    | 31.75 | 0.97    | 24.64 |       |
|                                 |            | 2      |                      |             |      |      |       | 2.53    | 64.26 |         |       |         |       |       |
|                                 | 02         | 1      |                      | 0.25        | 6.35 | 0.38 | 9.53  | 1.53    | 38.86 |         |       |         |       |       |
|                                 |            | 2      |                      |             |      |      |       | 2.53    | 64.26 |         |       |         |       |       |
|                                 | 03         | 1      |                      | 0.38        | 9.53 | 0.50 | 12.70 | 1.53    | 38.86 |         |       |         |       |       |
|                                 |            | 2      |                      |             |      |      |       | 2.53    | 64.26 |         |       |         |       |       |
| 14                              | 01         | 1      | 14                   | 0.13        | 3.18 | 0.25 | 6.35  | 1.53    | 38.86 | 1.25    | 31.75 | 0.97    | 24.64 |       |
|                                 |            | 2      |                      |             |      |      |       | 2.53    | 64.26 |         |       |         |       |       |
|                                 |            | 3      |                      |             |      |      |       | 3.53    | 89.66 |         |       |         |       |       |
|                                 | 02         | 1      |                      | 0.25        | 6.35 | 0.38 | 9.53  | 1.53    | 38.86 |         |       |         |       |       |
|                                 |            | 2      |                      |             |      |      |       | 2.53    | 64.26 |         |       |         |       |       |
|                                 |            | 3      |                      |             |      |      |       | 3.53    | 89.66 |         |       |         |       |       |

Table Continued

### Connector Group - M

### Straight

| TABLE - A                       |            |        |                      |             |       |       |       |         |        |         |       |         |       |       |
|---------------------------------|------------|--------|----------------------|-------------|-------|-------|-------|---------|--------|---------|-------|---------|-------|-------|
| AMPHENOL PART NUMBER DESIGNATOR |            |        | CONNECTOR SHELL SIZE | CABLE RANGE |       |       |       | L (MAX) |        | X (MAX) |       | Y (MAX) |       |       |
| SHELL SIZE                      | ENTRY SIZE | LENGTH |                      | MIN         |       | MAX   |       | INCH    | MM     | INCH    | MM    | INCH    | MM    |       |
|                                 |            |        |                      | INCH        | MM    | INCH  | MM    |         |        |         |       |         |       |       |
| 14                              | 03         | 1      | 14                   | 0.38        | 9.53  | 0.50  | 12.70 | 1.53    | 38.86  | 1.25    | 31.75 | 1.16    | 29.46 |       |
|                                 |            | 2      |                      |             |       |       |       | 2.53    | 64.26  |         |       |         |       |       |
|                                 |            | 3      |                      |             |       |       |       | 3.53    | 89.66  |         |       |         |       |       |
|                                 | 04         | 1      |                      | 0.50        | 12.70 | 0.63  | 15.88 | 1.53    | 38.86  | 1.31    | 33.27 | 1.25    | 31.75 |       |
|                                 |            | 2      |                      |             |       |       |       | 2.53    | 64.26  |         |       |         |       |       |
|                                 |            | 3      |                      |             |       |       |       | 3.53    | 89.66  |         |       |         |       |       |
| 16                              | 01         | 1      | 16                   | 0.13        | 3.18  | 0.25  | 6.35  | 1.53    | 38.86  | 1.25    | 31.75 | 0.97    | 24.64 |       |
|                                 |            | 2      |                      |             |       |       |       | 2.53    | 64.26  |         |       |         |       |       |
|                                 |            | 3      |                      |             |       |       |       | 3.53    | 89.66  |         |       |         |       |       |
|                                 | 02         | 1      |                      | 0.25        | 6.35  | 0.38  | 9.53  | 1.53    | 38.86  | 1.25    | 31.75 | 1.06    | 26.92 |       |
|                                 |            | 2      |                      |             |       |       |       | 2.53    | 64.26  |         |       |         |       |       |
|                                 |            | 3      |                      |             |       |       |       | 3.53    | 89.66  |         |       |         |       |       |
|                                 | 03         | 1      |                      | 0.38        | 9.53  | 0.50  | 12.70 | 1.53    | 38.86  | 1.25    | 31.75 | 1.16    | 29.46 |       |
|                                 |            | 2      |                      |             |       |       |       | 2.53    | 64.26  |         |       |         |       |       |
|                                 |            | 3      |                      |             |       |       |       | 3.53    | 89.66  |         |       |         |       |       |
|                                 | 04         | 1      |                      | 0.50        | 12.70 | 0.63  | 15.88 | 1.53    | 38.86  | 1.31    | 33.27 | 1.25    | 31.75 |       |
|                                 |            |        |                      |             |       |       |       | 2       | 2.53   |         |       |         |       | 64.26 |
|                                 |            |        |                      |             |       |       |       | 3       | 3.53   |         |       |         |       | 89.66 |
| 05                              |            | 1      | 0.63                 | 15.88       | 0.75  | 19.05 | 1.53  | 38.86   | 1.38   | 35.05   | 1.38  | 35.05   |       |       |
|                                 |            | 2      |                      |             |       |       | 2.53  | 64.26   |        |         |       |         |       |       |
|                                 |            | 3      |                      |             |       |       | 3.53  | 89.66   |        |         |       |         |       |       |
| 18                              | 01         | 1      | 18                   | 0.25        | 6.35  | 0.38  | 9.53  | 1.53    | 38.86  | 1.25    | 31.75 | 1.06    | 26.92 |       |
|                                 |            | 2      |                      |             |       |       |       | 2.53    | 64.26  |         |       |         |       |       |
|                                 |            | 3      |                      |             |       |       |       | 3.53    | 89.66  |         |       |         |       |       |
|                                 | 02         | 1      |                      | 0.38        | 9.53  | 0.50  | 12.70 | 1.53    | 38.86  | 1.25    | 31.75 | 1.16    | 29.46 |       |
|                                 |            | 2      |                      |             |       |       |       | 2.53    | 64.26  |         |       |         |       |       |
|                                 |            | 3      |                      |             |       |       |       | 3.53    | 89.66  |         |       |         |       |       |
|                                 | 03         | 1      |                      | 0.50        | 12.70 | 0.63  | 15.88 | 1.53    | 38.86  | 1.31    | 33.27 | 1.25    | 31.75 |       |
|                                 |            | 2      |                      |             |       |       |       | 2.53    | 64.26  |         |       |         |       |       |
|                                 |            | 3      |                      |             |       |       |       | 3.53    | 89.66  |         |       |         |       |       |
|                                 | 04         | 1      |                      | 0.63        | 15.88 | 0.75  | 19.05 | 1.53    | 38.86  | 1.38    | 35.05 | 1.38    | 35.05 |       |
|                                 |            |        |                      |             |       |       |       | 2       | 2.53   |         |       |         |       | 64.26 |
|                                 |            |        |                      |             |       |       |       | 3       | 3.53   |         |       |         |       | 89.66 |
| 05                              |            | 1      | 0.75                 | 19.05       | 0.88  | 22.23 | 1.53  | 38.86   | 1.50   | 38.10   | 1.50  | 38.10   |       |       |
|                                 |            | 2      |                      |             |       |       | 2.53  | 64.26   |        |         |       |         |       |       |
|                                 |            | 3      |                      |             |       |       | 3.53  | 89.66   |        |         |       |         |       |       |
| 18                              | 01         | 1      | 18                   | 0.25        | 6.35  | 0.38  | 9.53  | 1.53    | 38.86  | 1.25    | 31.75 | 1.06    | 26.92 |       |
|                                 |            | 2      |                      |             |       |       |       | 2.53    | 64.26  |         |       |         |       |       |
|                                 |            | 3      |                      |             |       |       |       | 3.53    | 89.66  |         |       |         |       |       |
|                                 |            | 4      |                      |             |       |       |       | 4.53    | 115.06 |         |       |         |       |       |
|                                 | 02         | 1      |                      | 0.38        | 9.53  | 0.50  | 12.70 | 1.53    | 38.86  | 1.25    | 31.75 | 1.16    | 29.46 |       |
|                                 |            | 2      |                      |             |       |       |       | 2.53    | 64.26  |         |       |         |       |       |
|                                 |            | 3      |                      |             |       |       |       | 3.53    | 89.66  |         |       |         |       |       |
|                                 |            | 4      |                      |             |       |       |       | 4.53    | 115.06 |         |       |         |       |       |

Table Continued

Connector Group - M

Straight

| TABLE - A                       |            |        |                      |             |       |      |       |         |        |         |       |         |       |
|---------------------------------|------------|--------|----------------------|-------------|-------|------|-------|---------|--------|---------|-------|---------|-------|
| AMPHENOL PART NUMBER DESIGNATOR |            |        | CONNECTOR SHELL SIZE | CABLE RANGE |       |      |       | L (MAX) |        | X (MAX) |       | Y (MAX) |       |
| SHELL SIZE                      | ENTRY SIZE | LENGTH |                      | MIN         |       | MAX  |       | INCH    | MM     | INCH    | MM    | INCH    | MM    |
|                                 |            |        |                      | INCH        | MM    | INCH | MM    |         |        |         |       |         |       |
| 18                              | 03         | 1      | 18                   | 0.50        | 12.70 | 0.63 | 15.88 | 1.53    | 38.86  | 1.31    | 33.27 | 1.25    | 31.75 |
|                                 |            | 2      |                      |             |       |      |       | 2.53    | 64.26  |         |       |         |       |
|                                 |            | 3      |                      |             |       |      |       | 3.53    | 89.66  |         |       |         |       |
|                                 | 04         | 1      |                      | 0.63        | 15.88 | 0.75 | 19.05 | 1.53    | 38.86  | 1.38    | 35.05 | 1.38    | 35.05 |
|                                 |            | 2      |                      |             |       |      |       | 2.53    | 64.26  |         |       |         |       |
|                                 |            | 3      |                      |             |       |      |       | 3.53    | 89.66  |         |       |         |       |
|                                 | 05         | 1      |                      | 0.75        | 19.05 | 0.88 | 22.23 | 1.53    | 38.86  | 1.50    | 38.10 | 1.50    | 38.10 |
|                                 |            | 2      |                      |             |       |      |       | 2.53    | 64.26  |         |       |         |       |
|                                 |            | 3      |                      |             |       |      |       | 3.53    | 89.66  |         |       |         |       |
| 20                              | 01         | 1      | 20                   | 0.25        | 6.35  | 0.38 | 9.53  | 1.53    | 38.86  | 1.25    | 31.75 | 1.06    | 26.92 |
|                                 |            | 2      |                      |             |       |      |       | 2.53    | 64.26  |         |       |         |       |
|                                 |            | 3      |                      |             |       |      |       | 3.53    | 89.66  |         |       |         |       |
|                                 |            | 4      |                      |             |       |      |       | 4.53    | 115.06 |         |       |         |       |
|                                 | 02         | 1      |                      | 0.38        | 9.53  | 0.50 | 12.70 | 1.53    | 38.86  | 1.25    | 31.75 | 1.16    | 29.46 |
|                                 |            | 2      |                      |             |       |      |       | 2.53    | 64.26  |         |       |         |       |
|                                 |            | 3      |                      |             |       |      |       | 3.53    | 89.66  |         |       |         |       |
|                                 |            | 4      |                      |             |       |      |       | 4.53    | 115.06 |         |       |         |       |
|                                 | 03         | 1      |                      | 0.50        | 12.70 | 0.63 | 15.88 | 1.53    | 38.86  | 1.31    | 33.27 | 1.25    | 31.75 |
|                                 |            | 2      |                      |             |       |      |       | 2.53    | 64.26  |         |       |         |       |
|                                 |            | 3      |                      |             |       |      |       | 3.53    | 89.66  |         |       |         |       |
|                                 |            | 4      |                      |             |       |      |       | 4.53    | 115.06 |         |       |         |       |
|                                 | 04         | 1      |                      | 0.63        | 15.88 | 0.75 | 19.05 | 1.53    | 38.86  | 1.38    | 35.05 | 1.38    | 35.05 |
|                                 |            | 2      |                      |             |       |      |       | 2.53    | 64.26  |         |       |         |       |
|                                 |            | 3      |                      |             |       |      |       | 3.53    | 89.66  |         |       |         |       |
|                                 |            | 4      |                      |             |       |      |       | 4.53    | 115.06 |         |       |         |       |
|                                 | 05         | 1      |                      | 0.75        | 19.05 | 0.88 | 22.23 | 1.53    | 38.86  | 1.50    | 38.10 | 1.50    | 38.10 |
|                                 |            | 2      |                      |             |       |      |       | 2.53    | 64.26  |         |       |         |       |
|                                 |            | 3      |                      |             |       |      |       | 3.53    | 89.66  |         |       |         |       |
|                                 |            | 4      |                      |             |       |      |       | 4.53    | 115.06 |         |       |         |       |
|                                 | 06         | 1      |                      | 0.88        | 22.23 | 1.00 | 25.40 | 1.53    | 38.86  | 1.63    | 41.40 | 1.63    | 41.40 |
|                                 |            | 2      |                      |             |       |      |       | 2.53    | 64.26  |         |       |         |       |
|                                 |            | 3      |                      |             |       |      |       | 3.53    | 89.66  |         |       |         |       |
|                                 |            | 4      |                      |             |       |      |       | 4.53    | 115.06 |         |       |         |       |
| 22                              | 01         | 1      | 22                   | 0.25        | 6.35  | 0.38 | 9.53  | 1.53    | 38.86  | 1.25    | 31.75 | 1.06    | 26.92 |
|                                 |            | 2      |                      |             |       |      |       | 2.53    | 64.26  |         |       |         |       |
|                                 |            | 3      |                      |             |       |      |       | 3.53    | 89.66  |         |       |         |       |
|                                 |            | 4      |                      |             |       |      |       | 4.53    | 115.06 |         |       |         |       |
|                                 | 02         | 1      |                      | 0.38        | 9.53  | 0.50 | 12.70 | 1.53    | 38.86  | 1.25    | 31.75 | 1.16    | 29.46 |
|                                 |            | 2      |                      |             |       |      |       | 2.53    | 64.26  |         |       |         |       |
|                                 |            | 3      |                      |             |       |      |       | 3.53    | 89.66  |         |       |         |       |
|                                 |            | 4      |                      |             |       |      |       | 4.53    | 115.06 |         |       |         |       |
|                                 | 03         | 1      |                      | 0.50        | 12.70 | 0.63 | 15.88 | 1.53    | 38.86  | 1.31    | 33.27 | 1.25    | 31.75 |
|                                 |            | 2      |                      |             |       |      |       | 2.53    | 64.26  |         |       |         |       |
|                                 |            | 3      |                      |             |       |      |       | 3.53    | 89.66  |         |       |         |       |
|                                 |            | 4      |                      |             |       |      |       | 4.53    | 115.06 |         |       |         |       |

Table Continued





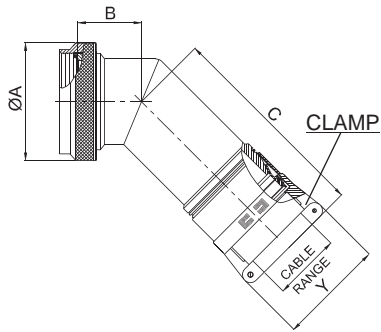
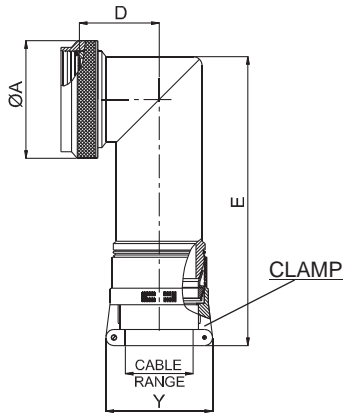
Connector Group - M

Straight

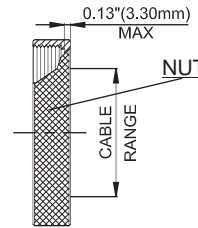
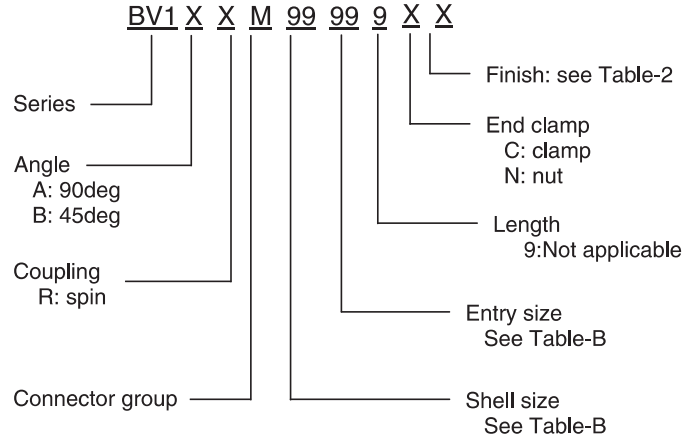
| TABLE - A                       |            |        |                      |             |       |      |       |         |        |         |       |         |       |
|---------------------------------|------------|--------|----------------------|-------------|-------|------|-------|---------|--------|---------|-------|---------|-------|
| AMPHENOL PART NUMBER DESIGNATOR |            |        | CONNECTOR SHELL SIZE | CABLE RANGE |       |      |       | L (MAX) |        | X (MAX) |       | Y (MAX) |       |
| SHELL SIZE                      | ENTRY SIZE | LENGTH |                      | MIN         |       | MAX  |       | INCH    | MM     | INCH    | MM    | INCH    | MM    |
|                                 |            |        |                      | INCH        | MM    | INCH | MM    |         |        |         |       |         |       |
| 22                              | 04         | 1      | 22                   | 0.63        | 15.88 | 0.75 | 19.05 | 1.53    | 38.86  | 1.38    | 35.05 | 1.38    | 35.05 |
|                                 |            | 2      |                      |             |       |      |       | 2.53    | 64.26  |         |       |         |       |
|                                 |            | 3      |                      |             |       |      |       | 3.53    | 89.66  |         |       |         |       |
|                                 |            | 4      |                      |             |       |      |       | 4.53    | 115.06 |         |       |         |       |
|                                 | 05         | 1      |                      | 0.75        | 19.05 | 0.88 | 22.23 | 1.53    | 38.86  | 1.50    | 38.10 | 1.50    | 38.10 |
|                                 |            | 2      |                      |             |       |      |       | 2.53    | 64.26  |         |       |         |       |
|                                 |            | 3      |                      |             |       |      |       | 3.53    | 89.66  |         |       |         |       |
|                                 |            | 4      |                      |             |       |      |       | 4.53    | 115.06 |         |       |         |       |
|                                 | 06         | 1      |                      | 0.88        | 22.23 | 1.00 | 25.40 | 1.53    | 38.86  | 1.63    | 41.40 | 1.63    | 41.40 |
|                                 |            | 2      |                      |             |       |      |       | 2.53    | 64.26  |         |       |         |       |
|                                 |            | 3      |                      |             |       |      |       | 3.53    | 89.66  |         |       |         |       |
|                                 |            | 4      |                      |             |       |      |       | 4.53    | 115.06 |         |       |         |       |
|                                 | 17         | 1      |                      | 1.00        | 25.40 | 1.13 | 28.58 | 1.53    | 38.86  | 1.63    | 41.40 | 1.75    | 44.45 |
|                                 |            | 2      |                      |             |       |      |       | 2.53    | 64.26  |         |       |         |       |
|                                 |            | 3      |                      |             |       |      |       | 3.53    | 89.66  |         |       |         |       |
|                                 |            | 4      |                      |             |       |      |       | 4.53    | 115.06 |         |       |         |       |
| 24                              | 01         | 1      | 24                   | 0.38        | 9.53  | 0.50 | 12.70 | 1.53    | 38.86  | 1.25    | 31.75 | 1.16    | 29.46 |
|                                 |            | 2      |                      |             |       |      |       | 2.53    | 64.26  |         |       |         |       |
|                                 |            | 3      |                      |             |       |      |       | 3.53    | 89.66  |         |       |         |       |
|                                 |            | 4      |                      |             |       |      |       | 4.53    | 115.06 |         |       |         |       |
|                                 | 02         | 1      |                      | 0.50        | 12.70 | 0.63 | 15.88 | 1.53    | 38.86  | 1.31    | 33.27 | 1.25    | 31.75 |
|                                 |            | 2      |                      |             |       |      |       | 2.53    | 64.26  |         |       |         |       |
|                                 |            | 3      |                      |             |       |      |       | 3.53    | 89.66  |         |       |         |       |
|                                 |            | 4      |                      |             |       |      |       | 4.53    | 115.06 |         |       |         |       |
|                                 | 03         | 1      |                      | 0.63        | 15.88 | 0.75 | 19.05 | 1.53    | 38.86  | 1.38    | 35.05 | 1.38    | 35.05 |
|                                 |            | 2      |                      |             |       |      |       | 2.53    | 64.26  |         |       |         |       |
|                                 |            | 3      |                      |             |       |      |       | 3.53    | 89.66  |         |       |         |       |
|                                 |            | 4      |                      |             |       |      |       | 4.53    | 115.06 |         |       |         |       |
|                                 | 04         | 1      |                      | 0.75        | 19.05 | 0.88 | 22.23 | 1.53    | 38.86  | 1.50    | 38.10 | 1.50    | 38.10 |
|                                 |            | 2      |                      |             |       |      |       | 2.53    | 64.26  |         |       |         |       |
|                                 |            | 3      |                      |             |       |      |       | 3.53    | 89.66  |         |       |         |       |
|                                 |            | 4      |                      |             |       |      |       | 4.53    | 115.06 |         |       |         |       |
|                                 | 05         | 1      |                      | 0.88        | 22.23 | 1.00 | 25.40 | 1.53    | 38.86  | 1.63    | 41.40 | 1.63    | 41.40 |
|                                 |            | 2      |                      |             |       |      |       | 2.53    | 64.26  |         |       |         |       |
|                                 |            | 3      |                      |             |       |      |       | 3.53    | 89.66  |         |       |         |       |
|                                 |            | 4      |                      |             |       |      |       | 4.53    | 115.06 |         |       |         |       |
|                                 | 06         | 1      |                      | 1.00        | 25.40 | 1.13 | 28.58 | 1.53    | 38.86  | 1.63    | 41.40 | 1.75    | 44.45 |
|                                 |            | 2      |                      |             |       |      |       | 2.53    | 64.26  |         |       |         |       |
|                                 |            | 3      |                      |             |       |      |       | 3.53    | 89.66  |         |       |         |       |
|                                 |            | 4      |                      |             |       |      |       | 4.53    | 115.06 |         |       |         |       |
|                                 | 07         | 1      |                      | 1.13        | 28.58 | 1.25 | 31.75 | 1.53    | 38.86  | 1.63    | 41.40 | 1.88    | 47.75 |
|                                 |            | 2      |                      |             |       |      |       | 2.53    | 64.26  |         |       |         |       |
|                                 |            | 3      |                      |             |       |      |       | 3.53    | 89.66  |         |       |         |       |
|                                 |            | 4      |                      |             |       |      |       | 4.53    | 115.06 |         |       |         |       |

Connector Group - M

90°, 45°



### Amphenol Part Number



NOTE: \* For more cable entry options, contact factory

| TABLE - B                       |            |                      |             |       |      |       |              |       |         |       |         |       |         |       |         |       |         |       |
|---------------------------------|------------|----------------------|-------------|-------|------|-------|--------------|-------|---------|-------|---------|-------|---------|-------|---------|-------|---------|-------|
| AMPHENOL PART NUMBER DESIGNATOR |            | CONNECTOR SHELL SIZE | CABLE RANGE |       |      |       | A DIA. (MAX) |       | B (MAX) |       | C (MAX) |       | D (MAX) |       | E (MAX) |       | Y (MAX) |       |
| SHELL SIZE                      | ENTRY SIZE |                      | MIN         |       | MAX  |       | INCH         | MM    | INCH    | MM    | INCH    | MM    | INCH    | MM    | INCH    | MM    | INCH    | MM    |
|                                 |            |                      | INCH        | MM    | INCH | MM    |              |       |         |       |         |       |         |       |         |       |         |       |
| 08                              | 01         | 8                    | 0.06        | 1.57  | 0.13 | 3.18  | 0.75         | 19.05 | 0.46    | 11.68 | 3.15    | 80.01 | 0.69    | 17.53 | 3.46    | 87.88 | 0.80    | 20.32 |
|                                 | 02         |                      | 0.13        | 3.18  | 0.25 | 6.35  |              |       |         |       |         |       |         |       |         |       | 1.00    | 25.40 |
| 10                              | 01         | 10                   | 0.06        | 1.57  | 0.13 | 3.18  | 0.85         | 21.59 | 0.52    | 13.21 | 3.21    | 81.53 | 0.78    | 19.81 | 3.58    | 90.93 | 0.80    | 20.32 |
|                                 | 02         |                      | 0.13        | 3.18  | 0.25 | 6.35  |              |       |         |       |         |       |         |       |         |       | 1.00    | 25.40 |
|                                 | 03         |                      | 0.25        | 6.35  | 0.38 | 9.53  |              |       |         |       |         |       |         |       |         |       | 1.10    | 27.94 |
| 12                              | 01         | 12                   | 0.13        | 3.18  | 0.25 | 6.35  | 1.00         | 25.40 | 0.58    | 14.73 | 3.27    | 83.06 | 0.80    | 20.32 | 3.60    | 91.44 | 1.00    | 25.40 |
|                                 | 02         |                      | 0.25        | 6.35  | 0.38 | 9.53  |              |       |         |       |         |       |         |       |         |       | 1.10    | 27.94 |
|                                 | 03         |                      | 0.38        | 9.53  | 0.50 | 12.70 |              |       |         |       |         |       |         |       |         |       | 1.20    | 30.48 |
| 14                              | 01         | 14                   | 0.13        | 3.18  | 0.25 | 6.35  | 1.15         | 29.21 | 0.65    | 16.51 | 3.36    | 85.34 | 0.88    | 22.35 | 3.67    | 93.22 | 1.00    | 25.40 |
|                                 | 02         |                      | 0.25        | 6.35  | 0.38 | 9.53  |              |       |         |       |         |       |         |       |         |       | 1.10    | 27.94 |
|                                 | 03         |                      | 0.38        | 9.53  | 0.50 | 12.70 |              |       |         |       |         |       |         |       |         |       | 1.20    | 30.48 |
|                                 | 04         |                      | 0.50        | 12.70 | 0.63 | 15.88 |              |       |         |       |         |       |         |       |         |       | 1.25    | 31.75 |

Table Continued

### Connector Group - M

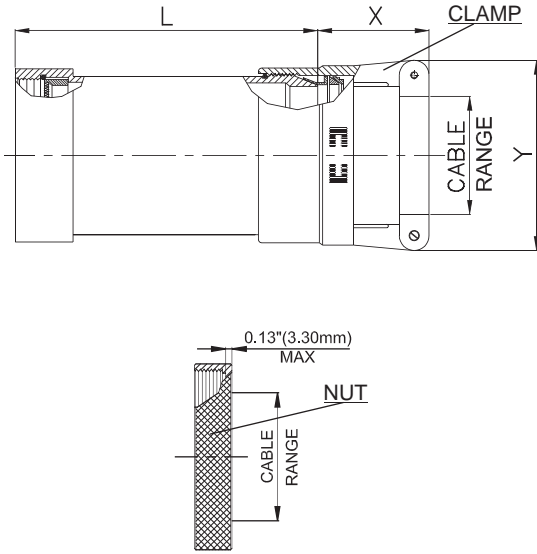
90°, 45°

**TABLE - B**

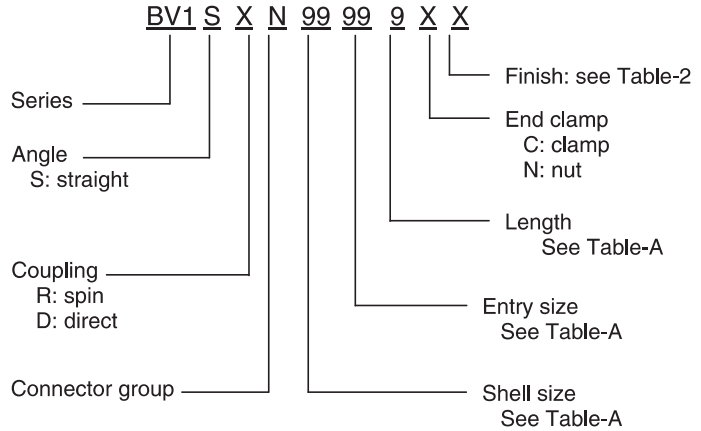
| AMPHENOL<br>PART NUMBER<br>DESIGNATOR |               | CONNECTOR<br>SHELL SIZE | CABLE RANGE |       |      |       | A DIA. (MAX) |       | B (MAX) |       | C (MAX) |       | D (MAX) |       | E (MAX) |        | Y (MAX) |       |
|---------------------------------------|---------------|-------------------------|-------------|-------|------|-------|--------------|-------|---------|-------|---------|-------|---------|-------|---------|--------|---------|-------|
| SHELL<br>SIZE                         | ENTRY<br>SIZE |                         | MIN         |       | MAX  |       | INCH         | MM    | INCH    | MM    | INCH    | MM    | INCH    | MM    | INCH    | MM     | INCH    | MM    |
|                                       |               |                         | INCH        | MM    | INCH | MM    |              |       |         |       |         |       |         |       |         |        |         |       |
| 16                                    | 01            | 16                      | 0.13        | 3.18  | 0.25 | 6.35  | 1.25         | 31.75 | 0.74    | 18.80 | 3.47    | 88.14 | 0.93    | 23.62 | 3.76    | 95.50  | 1.00    | 25.40 |
|                                       | 02            |                         | 0.25        | 6.35  | 0.38 | 9.53  |              |       |         |       |         |       |         |       |         |        | 1.10    | 27.94 |
|                                       | 03            |                         | 0.38        | 9.53  | 0.50 | 12.70 |              |       |         |       |         |       |         |       |         |        | 1.20    | 30.48 |
|                                       | 04            |                         | 0.50        | 12.70 | 0.63 | 15.88 |              |       |         |       |         |       |         |       |         |        | 1.25    | 31.75 |
|                                       | 05            |                         | 0.63        | 15.88 | 0.75 | 19.05 |              |       |         |       |         |       |         |       |         |        | 1.40    | 35.56 |
| 18                                    | 01            | 18                      | 0.25        | 6.35  | 0.38 | 9.53  | 1.40         | 35.56 | 0.93    | 23.62 | 3.66    | 92.96 | 1.01    | 25.65 | 3.93    | 99.82  | 1.10    | 27.94 |
|                                       | 02            |                         | 0.38        | 9.53  | 0.50 | 12.70 |              |       |         |       |         |       |         |       |         |        | 1.20    | 30.48 |
|                                       | 03            |                         | 0.50        | 12.70 | 0.63 | 15.88 |              |       |         |       |         |       |         |       |         |        | 1.25    | 31.75 |
|                                       | 04            |                         | 0.63        | 15.88 | 0.75 | 19.05 |              |       |         |       |         |       |         |       |         |        | 1.40    | 35.56 |
|                                       | 05            |                         | 0.75        | 19.05 | 0.88 | 22.23 |              |       |         |       |         |       |         |       |         |        | 1.50    | 38.10 |
| 20                                    | 01            | 20                      | 0.25        | 6.35  | 0.38 | 9.53  | 1.55         | 39.37 | 0.93    | 23.62 | 3.66    | 92.96 | 1.06    | 26.92 | 3.93    | 99.82  | 1.10    | 27.94 |
|                                       | 02            |                         | 0.38        | 9.53  | 0.50 | 12.70 |              |       |         |       |         |       |         |       |         |        | 1.20    | 30.48 |
|                                       | 03            |                         | 0.50        | 12.70 | 0.63 | 15.88 |              |       |         |       |         |       |         |       |         |        | 1.25    | 31.75 |
|                                       | 04            |                         | 0.63        | 15.88 | 0.75 | 19.05 |              |       |         |       |         |       |         |       |         |        | 1.40    | 35.56 |
|                                       | 05            |                         | 0.75        | 19.05 | 0.88 | 22.23 |              |       |         |       |         |       |         |       |         |        | 1.50    | 38.10 |
|                                       | 06            |                         | 0.88        | 22.23 | 1.00 | 25.40 |              |       |         |       |         |       |         |       |         |        | 1.65    | 41.91 |
| 22                                    | 01            | 22                      | 0.25        | 6.35  | 0.38 | 9.53  | 1.65         | 41.91 | 1.02    | 25.91 | 3.81    | 96.77 | 1.17    | 29.72 | 4.04    | 102.62 | 1.10    | 27.94 |
|                                       | 02            |                         | 0.38        | 9.53  | 0.50 | 12.70 |              |       |         |       |         |       |         |       |         |        | 1.20    | 30.48 |
|                                       | 03            |                         | 0.50        | 12.70 | 0.63 | 15.88 |              |       |         |       |         |       |         |       |         |        | 1.25    | 31.75 |
|                                       | 04            |                         | 0.63        | 15.88 | 0.75 | 19.05 |              |       |         |       |         |       |         |       |         |        | 1.40    | 35.56 |
|                                       | 05            |                         | 0.75        | 19.05 | 0.88 | 22.23 |              |       |         |       |         |       |         |       |         |        | 1.50    | 38.10 |
|                                       | 06            |                         | 0.88        | 22.23 | 1.00 | 25.40 |              |       |         |       |         |       |         |       |         |        | 1.65    | 41.91 |
|                                       | 07            |                         | 1.00        | 25.40 | 1.13 | 28.58 |              |       |         |       |         |       |         |       |         |        | 1.75    | 44.45 |
| 24                                    | 01            | 24                      | 0.38        | 9.53  | 0.50 | 12.70 | 1.85         | 46.99 | 1.02    | 25.91 | 3.81    | 96.77 | 1.18    | 29.97 | 4.04    | 102.62 | 1.20    | 30.48 |
|                                       | 02            |                         | 0.50        | 12.70 | 0.63 | 15.88 |              |       |         |       |         |       |         |       |         |        | 1.25    | 31.75 |
|                                       | 03            |                         | 0.63        | 15.88 | 0.75 | 19.05 |              |       |         |       |         |       |         |       |         |        | 1.40    | 35.56 |
|                                       | 04            |                         | 0.75        | 19.05 | 0.88 | 22.23 |              |       |         |       |         |       |         |       |         |        | 1.50    | 38.10 |
|                                       | 05            |                         | 0.88        | 22.23 | 1.00 | 25.40 |              |       |         |       |         |       |         |       |         |        | 1.65    | 41.91 |
|                                       | 06            |                         | 1.00        | 25.40 | 1.13 | 28.58 |              |       |         |       |         |       |         |       |         |        | 1.75    | 44.45 |
|                                       | 07            |                         | 1.13        | 28.58 | 1.25 | 31.75 |              |       |         |       |         |       |         |       |         |        | 1.90    | 48.26 |

### Connector Group - N

### Straight



### Amphenol Part Number



**NOTE:** \* For more cable entry and length options, contact factory

**TABLE - A**

| AMPHENOL PART NUMBER DESIGNATOR |            |        | CONNECTOR SHELL SIZE | CABLE RANGE |      |      |       | L (MAX) |       | X (MAX) |       | Y (MAX) |       |
|---------------------------------|------------|--------|----------------------|-------------|------|------|-------|---------|-------|---------|-------|---------|-------|
| SHELL SIZE                      | ENTRY SIZE | LENGTH |                      | MIN         |      | MAX  |       | INCH    | MM    | INCH    | MM    | INCH    | MM    |
|                                 |            |        |                      | INCH        | MM   | INCH | MM    |         |       |         |       |         |       |
| 08                              | 01         | 1      | 8                    | 0.06        | 1.57 | 0.13 | 3.18  | 1.53    | 38.86 | 1.25    | 31.75 | 0.78    | 19.81 |
|                                 |            | 2      |                      |             |      |      |       | 2.53    | 64.26 |         |       |         |       |
|                                 | 02         | 1      |                      | 0.13        | 3.18 | 0.25 | 6.35  | 1.53    | 38.86 | 1.25    | 31.75 | 0.97    | 24.64 |
|                                 |            | 2      |                      |             |      |      |       | 2.53    | 64.26 |         |       |         |       |
| 10                              | 01         | 1      | 10                   | 0.06        | 1.57 | 0.13 | 3.18  | 1.53    | 38.86 | 1.25    | 31.75 | 0.78    | 19.81 |
|                                 |            | 2      |                      |             |      |      |       | 2.53    | 64.26 |         |       |         |       |
|                                 | 02         | 1      |                      | 0.13        | 3.18 | 0.25 | 6.35  | 1.53    | 38.86 | 1.25    | 31.75 | 0.97    | 24.64 |
|                                 |            | 2      |                      |             |      |      |       | 2.53    | 64.26 |         |       |         |       |
|                                 | 03         | 1      |                      | 0.25        | 6.35 | 0.38 | 9.53  | 1.53    | 38.86 | 1.25    | 31.75 | 1.06    | 26.92 |
|                                 |            | 2      |                      |             |      |      |       | 2.53    | 64.26 |         |       |         |       |
| 12                              | 01         | 1      | 12                   | 0.13        | 3.18 | 0.25 | 6.35  | 1.53    | 38.86 | 1.25    | 31.75 | 0.97    | 24.64 |
|                                 |            | 2      |                      |             |      |      |       | 2.53    | 64.26 |         |       |         |       |
|                                 | 02         | 1      |                      | 0.25        | 6.35 | 0.38 | 9.53  | 1.53    | 38.86 | 1.25    | 31.75 | 1.06    | 26.92 |
|                                 |            | 2      |                      |             |      |      |       | 2.53    | 64.26 |         |       |         |       |
|                                 | 03         | 1      |                      | 0.38        | 9.53 | 0.50 | 12.70 | 1.53    | 38.86 | 1.25    | 31.75 | 1.16    | 29.46 |
|                                 |            | 2      |                      |             |      |      |       | 2.53    | 64.26 |         |       |         |       |
| 14                              | 01         | 1      | 14                   | 0.13        | 3.18 | 0.25 | 6.35  | 1.53    | 38.86 | 1.25    | 31.75 | 0.97    | 24.64 |
|                                 |            | 2      |                      |             |      |      |       | 2.53    | 64.26 |         |       |         |       |
|                                 |            | 3      |                      |             |      |      |       | 3.53    | 89.66 |         |       |         |       |
|                                 | 02         | 1      |                      | 0.25        | 6.35 | 0.38 | 9.53  | 1.53    | 38.86 | 1.25    | 31.75 | 1.06    | 26.92 |
|                                 |            | 2      |                      |             |      |      |       | 2.53    | 64.26 |         |       |         |       |
|                                 |            | 3      |                      |             |      |      |       | 3.53    | 89.66 |         |       |         |       |

Table Continued

### Connector Group - N

### Straight

| TABLE - A                       |            |        |                      |             |        |      |       |         |        |         |       |         |       |      |       |
|---------------------------------|------------|--------|----------------------|-------------|--------|------|-------|---------|--------|---------|-------|---------|-------|------|-------|
| AMPHENOL PART NUMBER DESIGNATOR |            |        | CONNECTOR SHELL SIZE | CABLE RANGE |        |      |       | L (MAX) |        | X (MAX) |       | Y (MAX) |       |      |       |
| SHELL SIZE                      | ENTRY SIZE | LENGTH |                      | MIN         |        | MAX  |       | INCH    | MM     | INCH    | MM    | INCH    | MM    |      |       |
|                                 |            |        |                      | INCH        | MM     | INCH | MM    |         |        |         |       |         |       |      |       |
| 14                              | 03         | 1      | 14                   | 0.38        | 9.53   | 0.50 | 12.70 | 1.53    | 38.86  | 1.25    | 31.75 | 1.16    | 29.46 |      |       |
|                                 |            | 2      |                      |             |        |      |       | 2.53    | 64.26  |         |       |         |       |      |       |
|                                 |            | 3      |                      |             |        |      |       | 3.53    | 89.66  |         |       |         |       |      |       |
|                                 | 04         | 1      |                      | 0.50        | 12.70  | 0.63 | 15.88 | 1.53    | 38.86  | 1.31    | 33.27 | 1.25    | 31.75 |      |       |
|                                 |            | 2      |                      |             |        |      |       | 2.53    | 64.26  |         |       |         |       |      |       |
|                                 |            | 3      |                      |             |        |      |       | 3.53    | 89.66  |         |       |         |       |      |       |
| 16                              | 01         | 1      | 16                   | 0.13        | 3.18   | 0.25 | 6.35  | 1.53    | 38.86  | 1.25    | 31.75 | 0.97    | 24.64 |      |       |
|                                 |            | 2      |                      |             |        |      |       | 2.53    | 64.26  |         |       |         |       |      |       |
|                                 |            | 3      |                      |             |        |      |       | 3.53    | 89.66  |         |       |         |       |      |       |
|                                 | 02         | 1      |                      | 0.25        | 6.35   | 0.38 | 9.53  | 1.53    | 38.86  | 1.25    | 31.75 | 1.06    | 26.92 |      |       |
|                                 |            | 2      |                      |             |        |      |       | 2.53    | 64.26  |         |       |         |       |      |       |
|                                 |            | 3      |                      |             |        |      |       | 3.53    | 89.66  |         |       |         |       |      |       |
|                                 | 03         | 1      |                      | 0.38        | 9.53   | 0.50 | 12.70 | 1.53    | 38.86  | 1.25    | 31.75 | 1.16    | 29.46 |      |       |
|                                 |            | 2      |                      |             |        |      |       | 2.53    | 64.26  |         |       |         |       |      |       |
|                                 |            | 3      |                      |             |        |      |       | 3.53    | 89.66  |         |       |         |       |      |       |
|                                 | 04         | 1      |                      | 0.50        | 12.70  | 0.63 | 15.88 | 1.53    | 38.86  | 1.31    | 33.27 | 1.25    | 31.75 |      |       |
|                                 |            | 2      |                      |             |        |      |       | 2.53    | 64.26  |         |       |         |       |      |       |
|                                 |            | 3      |                      |             |        |      |       | 3.53    | 89.66  |         |       |         |       |      |       |
|                                 | 05         | 1      |                      | 0.63        | 15.88  | 0.75 | 19.05 | 1.53    | 38.86  | 1.38    | 35.05 | 1.38    | 35.05 |      |       |
|                                 |            | 2      |                      |             |        |      |       | 2.53    | 64.26  |         |       |         |       |      |       |
|                                 |            | 3      |                      |             |        |      |       | 3.53    | 89.66  |         |       |         |       |      |       |
|                                 | 18         | 01     |                      | 1           | 18     | 0.25 | 6.35  | 0.38    | 9.53   | 1.53    | 38.86 | 1.25    | 31.75 | 1.06 | 26.92 |
|                                 |            |        |                      | 2           |        |      |       |         |        | 2.53    | 64.26 |         |       |      |       |
|                                 |            |        |                      | 3           |        |      |       |         |        | 3.53    | 89.66 |         |       |      |       |
| 02                              |            | 1      | 0.38                 | 9.53        |        | 0.50 | 12.70 | 1.53    | 38.86  | 1.25    | 31.75 | 1.16    | 29.46 |      |       |
|                                 |            | 2      |                      |             |        |      |       | 2.53    | 64.26  |         |       |         |       |      |       |
|                                 |            | 3      |                      |             |        |      |       | 3.53    | 89.66  |         |       |         |       |      |       |
| 03                              |            | 1      | 0.50                 | 12.70       |        | 0.63 | 15.88 | 1.53    | 38.86  | 1.31    | 33.27 | 1.25    | 31.75 |      |       |
|                                 |            | 2      |                      |             |        |      |       | 2.53    | 64.26  |         |       |         |       |      |       |
|                                 |            | 3      |                      |             |        |      |       | 3.53    | 89.66  |         |       |         |       |      |       |
| 04                              |            | 1      | 0.63                 | 15.88       |        | 0.75 | 19.05 | 1.53    | 38.86  | 1.38    | 35.05 | 1.38    | 35.05 |      |       |
|                                 |            | 2      |                      |             |        |      |       | 2.53    | 64.26  |         |       |         |       |      |       |
|                                 |            | 3      |                      |             |        |      |       | 3.53    | 89.66  |         |       |         |       |      |       |
| 05                              |            | 1      | 0.75                 | 19.05       |        | 0.88 | 22.23 | 1.53    | 38.86  | 1.50    | 38.10 | 1.50    | 38.10 |      |       |
|                                 |            | 2      |                      |             |        |      |       | 2.53    | 64.26  |         |       |         |       |      |       |
|                                 |            | 3      |                      |             |        |      |       | 3.53    | 89.66  |         |       |         |       |      |       |
| 20                              |            | 01     | 1                    | 20          |        | 0.25 | 6.35  | 0.38    | 9.53   | 1.53    | 38.86 | 1.25    | 31.75 | 1.06 | 26.92 |
|                                 |            |        | 2                    |             |        |      |       |         |        | 2.53    | 64.26 |         |       |      |       |
|                                 |            |        | 3                    |             |        |      |       |         |        | 3.53    | 89.66 |         |       |      |       |
|                                 | 4          |        | 4.53                 |             | 115.06 |      |       |         |        |         |       |         |       |      |       |
|                                 | 02         | 1      | 0.38                 |             | 9.53   | 0.50 | 12.70 | 1.53    | 38.86  | 1.25    | 31.75 | 1.16    | 29.46 |      |       |
|                                 |            | 2      |                      |             |        |      |       | 2.53    | 64.26  |         |       |         |       |      |       |
|                                 |            | 3      |                      |             |        |      |       | 3.53    | 89.66  |         |       |         |       |      |       |
|                                 |            | 4      |                      |             |        |      |       | 4.53    | 115.06 |         |       |         |       |      |       |

Table Continued

Connector Group - N

Straight

| TABLE - A                       |            |        |                      |             |       |      |       |         |        |         |       |         |       |
|---------------------------------|------------|--------|----------------------|-------------|-------|------|-------|---------|--------|---------|-------|---------|-------|
| AMPHENOL PART NUMBER DESIGNATOR |            |        | CONNECTOR SHELL SIZE | CABLE RANGE |       |      |       | L (MAX) |        | X (MAX) |       | Y (MAX) |       |
| SHELL SIZE                      | ENTRY SIZE | LENGTH |                      | MIN         |       | MAX  |       | INCH    | MM     | INCH    | MM    | INCH    | MM    |
|                                 |            |        |                      | INCH        | MM    | INCH | MM    |         |        |         |       |         |       |
| 20                              | 03         | 1      | 20                   | 0.50        | 12.70 | 0.63 | 15.88 | 1.53    | 38.86  | 1.31    | 33.27 | 1.25    | 31.75 |
|                                 |            | 2      |                      |             |       |      |       | 2.53    | 64.26  |         |       |         |       |
|                                 |            | 3      |                      |             |       |      |       | 3.53    | 89.66  |         |       |         |       |
|                                 |            | 4      |                      |             |       |      |       | 4.53    | 115.06 |         |       |         |       |
|                                 | 04         | 1      |                      | 0.63        | 15.88 | 0.75 | 19.05 | 1.53    | 38.86  | 1.38    | 35.05 | 1.38    | 35.05 |
|                                 |            | 2      |                      |             |       |      |       | 2.53    | 64.26  |         |       |         |       |
|                                 |            | 3      |                      |             |       |      |       | 3.53    | 89.66  |         |       |         |       |
|                                 |            | 4      |                      |             |       |      |       | 4.53    | 115.06 |         |       |         |       |
|                                 | 05         | 1      |                      | 0.75        | 19.05 | 0.88 | 22.23 | 1.53    | 38.86  | 1.50    | 38.10 | 1.50    | 38.10 |
|                                 |            | 2      |                      |             |       |      |       | 2.53    | 64.26  |         |       |         |       |
|                                 |            | 3      |                      |             |       |      |       | 3.53    | 89.66  |         |       |         |       |
|                                 |            | 4      |                      |             |       |      |       | 4.53    | 115.06 |         |       |         |       |
|                                 | 06         | 1      |                      | 0.88        | 22.23 | 1.00 | 25.40 | 1.53    | 38.86  | 1.63    | 41.40 | 1.63    | 41.40 |
|                                 |            | 2      |                      |             |       |      |       | 2.53    | 64.26  |         |       |         |       |
|                                 |            | 3      |                      |             |       |      |       | 3.53    | 89.66  |         |       |         |       |
|                                 |            | 4      |                      |             |       |      |       | 4.53    | 115.06 |         |       |         |       |
| 22                              | 01         | 1      | 22                   | 0.25        | 6.35  | 0.38 | 9.53  | 1.53    | 38.86  | 1.25    | 31.75 | 1.06    | 26.92 |
|                                 |            | 2      |                      |             |       |      |       | 2.53    | 64.26  |         |       |         |       |
|                                 |            | 3      |                      |             |       |      |       | 3.53    | 89.66  |         |       |         |       |
|                                 |            | 4      |                      |             |       |      |       | 4.53    | 115.06 |         |       |         |       |
|                                 | 02         | 1      |                      | 0.38        | 9.53  | 0.50 | 12.70 | 1.53    | 38.86  | 1.25    | 31.75 | 1.16    | 29.46 |
|                                 |            | 2      |                      |             |       |      |       | 2.53    | 64.26  |         |       |         |       |
|                                 |            | 3      |                      |             |       |      |       | 3.53    | 89.66  |         |       |         |       |
|                                 |            | 4      |                      |             |       |      |       | 4.53    | 115.06 |         |       |         |       |
|                                 | 03         | 1      |                      | 0.50        | 12.70 | 0.63 | 15.88 | 1.53    | 38.86  | 1.31    | 33.27 | 1.25    | 31.75 |
|                                 |            | 2      |                      |             |       |      |       | 2.53    | 64.26  |         |       |         |       |
|                                 |            | 3      |                      |             |       |      |       | 3.53    | 89.66  |         |       |         |       |
|                                 |            | 4      |                      |             |       |      |       | 4.53    | 115.06 |         |       |         |       |
|                                 | 04         | 1      |                      | 0.63        | 15.88 | 0.75 | 19.05 | 1.53    | 38.86  | 1.38    | 35.05 | 1.38    | 35.05 |
|                                 |            | 2      |                      |             |       |      |       | 2.53    | 64.26  |         |       |         |       |
|                                 |            | 3      |                      |             |       |      |       | 3.53    | 89.66  |         |       |         |       |
|                                 |            | 4      |                      |             |       |      |       | 4.53    | 115.06 |         |       |         |       |
|                                 | 05         | 1      |                      | 0.75        | 19.05 | 0.88 | 22.23 | 1.53    | 38.86  | 1.50    | 38.10 | 1.50    | 38.10 |
|                                 |            | 2      |                      |             |       |      |       | 2.53    | 64.26  |         |       |         |       |
|                                 |            | 3      |                      |             |       |      |       | 3.53    | 89.66  |         |       |         |       |
|                                 |            | 4      |                      |             |       |      |       | 4.53    | 115.06 |         |       |         |       |
|                                 | 06         | 1      |                      | 0.88        | 22.23 | 1.00 | 25.40 | 1.53    | 38.86  | 1.63    | 41.40 | 1.63    | 41.40 |
|                                 |            | 2      |                      |             |       |      |       | 2.53    | 64.26  |         |       |         |       |
|                                 |            | 3      |                      |             |       |      |       | 3.53    | 89.66  |         |       |         |       |
|                                 |            | 4      |                      |             |       |      |       | 4.53    | 115.06 |         |       |         |       |
|                                 | 07         | 1      |                      | 1.00        | 25.40 | 1.13 | 28.58 | 1.53    | 38.86  | 1.63    | 41.40 | 1.75    | 44.45 |
|                                 |            | 2      |                      |             |       |      |       | 2.53    | 64.26  |         |       |         |       |
|                                 |            | 3      |                      |             |       |      |       | 3.53    | 89.66  |         |       |         |       |
|                                 |            | 4      |                      |             |       |      |       | 4.53    | 115.06 |         |       |         |       |

Table Continued



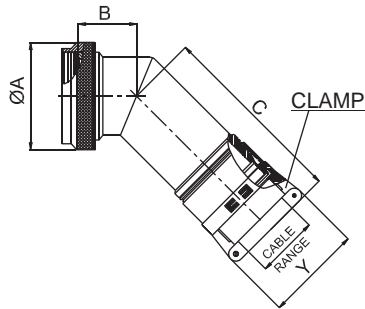
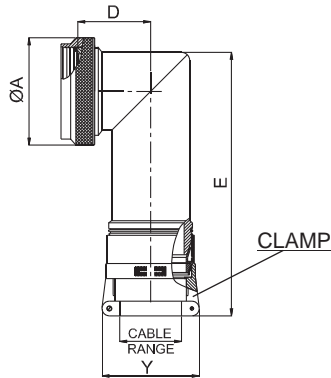
Connector Group - N

Straight

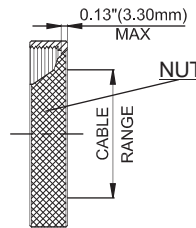
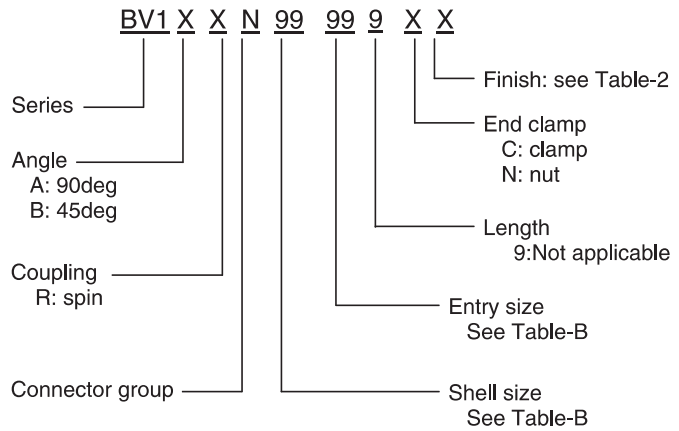
| TABLE - A                       |            |        |                      |             |       |      |       |         |        |         |       |         |       |
|---------------------------------|------------|--------|----------------------|-------------|-------|------|-------|---------|--------|---------|-------|---------|-------|
| AMPHENOL PART NUMBER DESIGNATOR |            |        | CONNECTOR SHELL SIZE | CABLE RANGE |       |      |       | L (MAX) |        | X (MAX) |       | Y (MAX) |       |
| SHELL SIZE                      | ENTRY SIZE | LENGTH |                      | MIN         |       | MAX  |       | INCH    | MM     | INCH    | MM    | INCH    | MM    |
|                                 |            |        |                      | INCH        | MM    | INCH | MM    |         |        |         |       |         |       |
| 24                              | 01         | 1      | 24                   | 0.38        | 9.53  | 0.50 | 12.70 | 1.53    | 38.86  | 1.25    | 31.75 | 1.16    | 29.46 |
|                                 |            | 2      |                      |             |       |      |       | 2.53    | 64.26  |         |       |         |       |
|                                 |            | 3      |                      |             |       |      |       | 3.53    | 89.66  |         |       |         |       |
|                                 |            | 4      |                      |             |       |      |       | 4.53    | 115.06 |         |       |         |       |
|                                 | 02         | 1      |                      | 0.50        | 12.70 | 0.63 | 15.88 | 1.53    | 38.86  | 1.31    | 33.27 | 1.25    | 31.75 |
|                                 |            | 2      |                      |             |       |      |       | 2.53    | 64.26  |         |       |         |       |
|                                 |            | 3      |                      |             |       |      |       | 3.53    | 89.66  |         |       |         |       |
|                                 |            | 4      |                      |             |       |      |       | 4.53    | 115.06 |         |       |         |       |
|                                 | 03         | 1      |                      | 0.63        | 15.88 | 0.75 | 19.05 | 1.53    | 38.86  | 1.38    | 35.05 | 1.38    | 35.05 |
|                                 |            | 2      |                      |             |       |      |       | 2.53    | 64.26  |         |       |         |       |
|                                 |            | 3      |                      |             |       |      |       | 3.53    | 89.66  |         |       |         |       |
|                                 |            | 4      |                      |             |       |      |       | 4.53    | 115.06 |         |       |         |       |
|                                 | 04         | 1      |                      | 0.75        | 19.05 | 0.88 | 22.23 | 1.53    | 38.86  | 1.50    | 38.10 | 1.50    | 38.10 |
|                                 |            | 2      |                      |             |       |      |       | 2.53    | 64.26  |         |       |         |       |
|                                 |            | 3      |                      |             |       |      |       | 3.53    | 89.66  |         |       |         |       |
|                                 |            | 4      |                      |             |       |      |       | 4.53    | 115.06 |         |       |         |       |
|                                 | 05         | 1      |                      | 0.88        | 22.23 | 1.00 | 25.40 | 1.53    | 38.86  | 1.63    | 41.40 | 1.63    | 41.40 |
|                                 |            | 2      |                      |             |       |      |       | 2.53    | 64.26  |         |       |         |       |
|                                 |            | 3      |                      |             |       |      |       | 3.53    | 89.66  |         |       |         |       |
|                                 |            | 4      |                      |             |       |      |       | 4.53    | 115.06 |         |       |         |       |
|                                 | 06         | 1      |                      | 1.00        | 25.40 | 1.13 | 28.58 | 1.53    | 38.86  | 1.63    | 41.40 | 1.75    | 44.45 |
|                                 |            | 2      |                      |             |       |      |       | 2.53    | 64.26  |         |       |         |       |
|                                 |            | 3      |                      |             |       |      |       | 3.53    | 89.66  |         |       |         |       |
|                                 |            | 4      |                      |             |       |      |       | 4.53    | 115.06 |         |       |         |       |
|                                 | 07         | 1      |                      | 1.13        | 28.58 | 1.25 | 31.75 | 1.53    | 38.86  | 1.63    | 41.40 | 1.88    | 47.75 |
|                                 |            | 2      |                      |             |       |      |       | 2.53    | 64.26  |         |       |         |       |
|                                 |            | 3      |                      |             |       |      |       | 3.53    | 89.66  |         |       |         |       |
|                                 |            | 4      |                      |             |       |      |       | 4.53    | 115.06 |         |       |         |       |

Connector Group - N

90°, 45°



### Amphenol Part Number



**NOTE:** \* For more cable entry options, contact factory

| TABLE - B                       |            |                      |             |       |      |       |              |       |         |       |         |       |         |       |         |       |         |       |
|---------------------------------|------------|----------------------|-------------|-------|------|-------|--------------|-------|---------|-------|---------|-------|---------|-------|---------|-------|---------|-------|
| AMPHENOL PART NUMBER DESIGNATOR |            | CONNECTOR SHELL SIZE | CABLE RANGE |       |      |       | A DIA. (MAX) |       | B (MAX) |       | C (MAX) |       | D (MAX) |       | E (MAX) |       | Y (MAX) |       |
| SHELL SIZE                      | ENTRY SIZE |                      | MIN         |       | MAX  |       | INCH         | MM    | INCH    | MM    | INCH    | MM    | INCH    | MM    | INCH    | MM    | INCH    | MM    |
|                                 |            |                      | INCH        | MM    | INCH | MM    |              |       |         |       |         |       |         |       |         |       |         |       |
| 08                              | 01         | 8                    | 0.06        | 1.57  | 0.13 | 3.18  | 0.75         | 19.05 | 0.46    | 11.68 | 3.15    | 80.01 | 0.69    | 17.53 | 3.46    | 87.88 | 0.80    | 20.32 |
|                                 | 02         |                      | 0.13        | 3.18  | 0.25 | 6.35  |              |       |         |       |         |       |         |       |         |       | 1.00    | 25.40 |
| 10                              | 01         | 10                   | 0.06        | 1.57  | 0.13 | 3.18  | 0.85         | 21.59 | 0.52    | 13.21 | 3.21    | 81.53 | 0.78    | 19.81 | 3.58    | 90.93 | 0.80    | 20.32 |
|                                 | 02         |                      | 0.13        | 3.18  | 0.25 | 6.35  |              |       |         |       |         |       |         |       |         |       | 1.00    | 25.40 |
|                                 | 03         |                      | 0.25        | 6.35  | 0.38 | 9.53  |              |       |         |       |         |       |         |       |         |       | 1.10    | 27.94 |
| 12                              | 01         | 12                   | 0.13        | 3.18  | 0.25 | 6.35  | 1.00         | 25.40 | 0.58    | 14.73 | 3.27    | 83.06 | 0.80    | 20.32 | 3.60    | 91.44 | 1.00    | 25.40 |
|                                 | 02         |                      | 0.25        | 6.35  | 0.38 | 9.53  |              |       |         |       |         |       |         |       |         |       | 1.10    | 27.94 |
|                                 | 03         |                      | 0.38        | 9.53  | 0.50 | 12.70 |              |       |         |       |         |       |         |       |         |       | 1.20    | 30.48 |
| 14                              | 01         | 14                   | 0.13        | 3.18  | 0.25 | 6.35  | 1.15         | 29.21 | 0.65    | 16.51 | 3.36    | 85.34 | 0.88    | 22.35 | 3.67    | 93.22 | 1.00    | 25.40 |
|                                 | 02         |                      | 0.25        | 6.35  | 0.38 | 9.53  |              |       |         |       |         |       |         |       |         |       | 1.10    | 27.94 |
|                                 | 03         |                      | 0.38        | 9.53  | 0.50 | 12.70 |              |       |         |       |         |       |         |       |         |       | 1.20    | 30.48 |
|                                 | 04         |                      | 0.50        | 12.70 | 0.63 | 15.88 |              |       |         |       |         |       |         |       |         |       | 1.25    | 31.75 |

Table Continued



### Connector Group - N

90°, 45°

TABLE - B

| AMPHENOL<br>PART NUMBER<br>DESIGNATOR | SHELL<br>SIZE | ENTRY<br>SIZE | CONNECTOR<br>SHELL SIZE | CABLE RANGE |      |       |      | A DIA. (MAX) |      | B (MAX) |      | C (MAX) |      | D (MAX) |      | E (MAX) |      | Y (MAX) |    |
|---------------------------------------|---------------|---------------|-------------------------|-------------|------|-------|------|--------------|------|---------|------|---------|------|---------|------|---------|------|---------|----|
|                                       |               |               |                         | MIN         |      | MAX   |      | INCH         | MM   | INCH    | MM   | INCH    | MM   | INCH    | MM   | INCH    | MM   | INCH    | MM |
|                                       |               |               |                         | INCH        | MM   | INCH  | MM   |              |      |         |      |         |      |         |      |         |      |         |    |
| 16                                    | 01            | 16            | 0.13                    | 3.18        | 0.25 | 6.35  | 1.25 | 31.75        | 0.74 | 18.80   | 3.47 | 88.14   | 0.93 | 23.62   | 3.76 | 95.50   | 1.00 | 25.40   |    |
|                                       |               |               | 0.25                    | 6.35        | 0.38 | 9.53  |      |              |      |         |      |         |      |         |      |         | 1.10 | 27.94   |    |
|                                       |               |               | 0.38                    | 9.53        | 0.50 | 12.70 |      |              |      |         |      |         |      |         |      |         | 1.20 | 30.48   |    |
|                                       |               |               | 0.50                    | 12.70       | 0.63 | 15.88 |      |              |      |         |      |         |      |         |      |         | 1.25 | 31.75   |    |
|                                       |               |               | 0.63                    | 15.88       | 0.75 | 19.05 |      |              |      |         |      |         |      |         |      |         | 1.40 | 35.56   |    |
| 18                                    | 01            | 18            | 0.25                    | 6.35        | 0.38 | 9.53  | 1.40 | 35.56        | 0.93 | 23.62   | 3.66 | 92.96   | 1.01 | 25.65   | 3.93 | 99.82   | 1.10 | 27.94   |    |
|                                       |               |               | 0.38                    | 9.53        | 0.50 | 12.70 |      |              |      |         |      |         |      |         |      |         | 1.20 | 30.48   |    |
|                                       |               |               | 0.50                    | 12.70       | 0.63 | 15.88 |      |              |      |         |      |         |      |         |      |         | 1.25 | 31.75   |    |
|                                       |               |               | 0.63                    | 15.88       | 0.75 | 19.05 |      |              |      |         |      |         |      |         |      |         | 1.40 | 35.56   |    |
|                                       |               |               | 0.75                    | 19.05       | 0.88 | 22.23 |      |              |      |         |      |         |      |         |      |         | 1.50 | 38.10   |    |
| 20                                    | 01            | 20            | 0.25                    | 6.35        | 0.38 | 9.53  | 1.55 | 39.37        | 0.93 | 23.62   | 3.66 | 92.96   | 1.06 | 26.92   | 3.93 | 99.82   | 1.10 | 27.94   |    |
|                                       |               |               | 0.38                    | 9.53        | 0.50 | 12.70 |      |              |      |         |      |         |      |         |      |         | 1.20 | 30.48   |    |
|                                       |               |               | 0.50                    | 12.70       | 0.63 | 15.88 |      |              |      |         |      |         |      |         |      |         | 1.25 | 31.75   |    |
|                                       |               |               | 0.63                    | 15.88       | 0.75 | 19.05 |      |              |      |         |      |         |      |         |      |         | 1.40 | 35.56   |    |
|                                       |               |               | 0.75                    | 19.05       | 0.88 | 22.23 |      |              |      |         |      |         |      |         |      |         | 1.50 | 38.10   |    |
|                                       |               |               | 0.88                    | 22.23       | 1.00 | 25.40 |      |              |      |         |      |         |      |         |      |         | 1.65 | 41.91   |    |
| 22                                    | 01            | 22            | 0.25                    | 6.35        | 0.38 | 9.53  | 1.65 | 41.91        | 1.02 | 25.91   | 3.81 | 96.77   | 1.17 | 29.72   | 4.04 | 102.62  | 1.10 | 27.94   |    |
|                                       |               |               | 0.38                    | 9.53        | 0.50 | 12.70 |      |              |      |         |      |         |      |         |      |         | 1.20 | 30.48   |    |
|                                       |               |               | 0.50                    | 12.70       | 0.63 | 15.88 |      |              |      |         |      |         |      |         |      |         | 1.25 | 31.75   |    |
|                                       |               |               | 0.63                    | 15.88       | 0.75 | 19.05 |      |              |      |         |      |         |      |         |      |         | 1.40 | 35.56   |    |
|                                       |               |               | 0.75                    | 19.05       | 0.88 | 22.23 |      |              |      |         |      |         |      |         |      |         | 1.50 | 38.10   |    |
|                                       |               |               | 0.88                    | 22.23       | 1.00 | 25.40 |      |              |      |         |      |         |      |         |      |         | 1.65 | 41.91   |    |
|                                       |               |               | 1.00                    | 25.40       | 1.13 | 28.58 |      |              |      |         |      |         |      |         |      |         | 1.75 | 44.45   |    |
| 24                                    | 01            | 24            | 0.38                    | 9.53        | 0.50 | 12.70 | 1.85 | 46.99        | 1.02 | 25.91   | 3.81 | 96.77   | 1.18 | 29.97   | 4.04 | 102.62  | 1.20 | 30.48   |    |
|                                       |               |               | 0.50                    | 12.70       | 0.63 | 15.88 |      |              |      |         |      |         |      |         |      |         | 1.25 | 31.75   |    |
|                                       |               |               | 0.63                    | 15.88       | 0.75 | 19.05 |      |              |      |         |      |         |      |         |      |         | 1.40 | 35.56   |    |
|                                       |               |               | 0.75                    | 19.05       | 0.88 | 22.23 |      |              |      |         |      |         |      |         |      |         | 1.50 | 38.10   |    |
|                                       |               |               | 0.88                    | 22.23       | 1.00 | 25.40 |      |              |      |         |      |         |      |         |      |         | 1.65 | 41.91   |    |
|                                       |               |               | 1.00                    | 25.40       | 1.13 | 28.58 |      |              |      |         |      |         |      |         |      |         | 1.75 | 44.45   |    |
|                                       |               |               | 1.13                    | 28.58       | 1.25 | 31.75 |      |              |      |         |      |         |      |         |      |         | 1.90 | 48.26   |    |



## X-ON Electronics

Largest Supplier of Electrical and Electronic Components

*Click to view similar products for [Circular MIL Spec Backshells](#) category:*

*Click to view products by [Amphenol](#) manufacturer:*

Other Similar products are found below :

[60-036152-022](#) [610HS012M15](#) [M28840/504WA](#) [M28840/805WB](#) [M28840/809WA](#) [M28840/815WA](#) [M28840/816WA](#) [627AS017M14](#)  
[627MA124M14S](#) [655HS002NF11](#) [CW3899-000](#) [M85049/10-134S](#) [M85049/10-17S](#) [M85049/10-33S](#) [M85049/10-94W](#) [M85049/11-28N](#)  
[M85049/11-37N](#) [M85049/11-53N](#) [M85049/11-63N](#) [M85049/124-23W](#) [M85049/1720N04B](#) [M85049/1821W05C](#) [M85049/1825W06C](#)  
[M85049/1919N05](#) [M85049/23-74W](#) [M85049/24-71N](#) [M85049/25-47N](#) [M85049/25-94W](#) [M85049/27S12N](#) [M85049/39-11S](#) [M85049/39-17S](#)  
[M85049/39-9S](#) [M85049/6-10B](#) [M85049/6-19N](#) [M85049/6-20B](#) [M85049/77-20W04](#) [M85049/78-11N03](#) [M85049/78-15W02](#) [M85049/78-](#)  
[17N04](#) [M85049/78-19N05](#) [M85049/79-19N07](#) [M85049/79-25N04](#) [M85049/82-18N02](#) [M85049/82-22P02](#) [M85049/83-10W03](#) [M85049/84-](#)  
[20N03](#) [M85049/8-48N](#) [M85049/85-24N01](#) [M85049/85-24P01](#) [M85049/86-16P03](#)