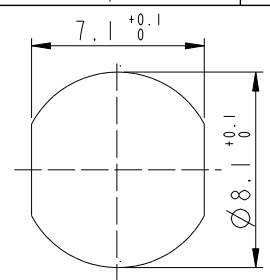
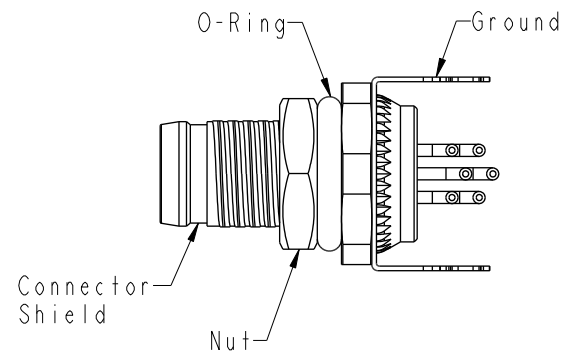
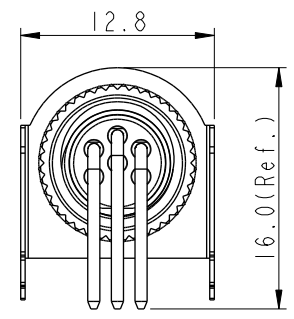
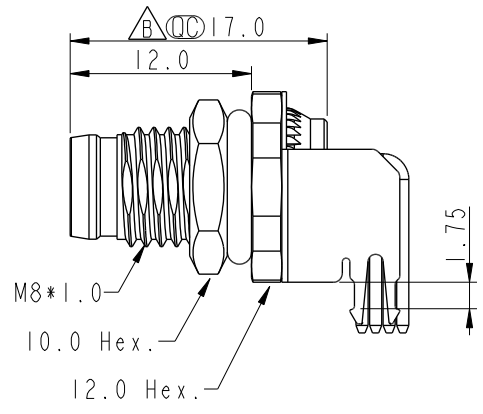
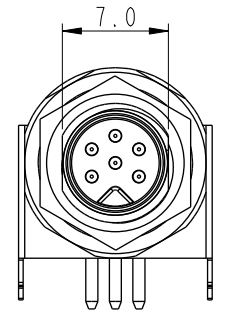


THIS DOCUMENT IS SUBJECT TO CHANGE WITHOUT NOTICE. IT IS CONFIDENTIAL AND A PROPERTY OF Amphenol LTW. DISCLOSURE TO THIRD PARTY HAS TO BE AUTHORIZED BY Amphenol LTW.

REV.	ECN NO.	DATE	SIGN	DESCRIPTION
B	C210686	2021/05/12	Vicky	$\triangle B$ X5



Recommended Panel Cut-Out



- $\triangle B$ Note:
- * RoHS Compliant
 - * CC Important dimension
 - * Waterproof rate: IPX8, unmated 1m/24h
 - * Connector Housing: Thermoplastic, Black
 - * Pin: Copper alloy, Gold plated
 - * Shield: Metal
 - * Ground: Metal
 - * Nut: Metal
 - * O-Ring: Rubber, Green
 - * For panel thickness: 2.0~4.0mm
 - * For pcb thickness max: 1.6mm
 - * Nut is packed separately in pe bag

UNIT: mm		
TOLERANCE	.X ±0.25	
	.XX ±0.1	
	.XXX ±0.05	
ANGLES	±1°	

TITLE N SEN, M8W/KEY-SHLD, SCREW RECEPTACLE, M, M, PCB R			$\triangle B$
SCALE 2:1	SIZE A4	SHEET 1 OF 2	
REV. B	WC-REV. A.5	CC : Inspection item	

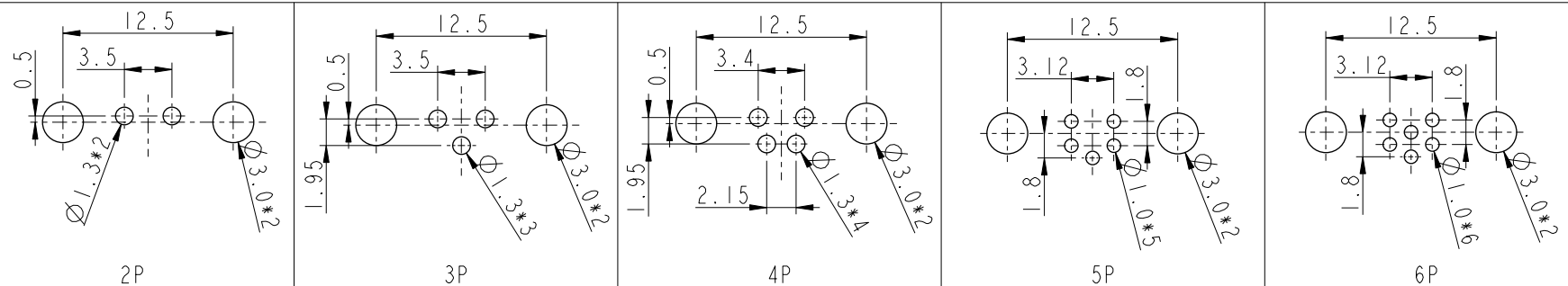
Amphenol LTW
安費諾亮泰企業股份有限公司

ITEM NO.	DRAWN BY Yulong_wang	DATE 2016-06-14
DWG NO. M8AS-XXPMR-SF8001	CHECKED BY Jinhai	DATE 2016-06-14
CUSTOMER ALTW	APPROVED BY Jerry	DATE 2016-06-14

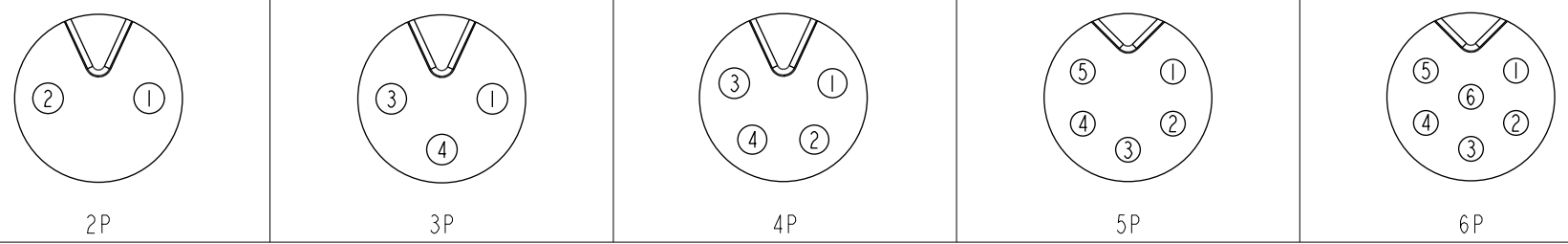
THIS DOCUMENT IS SUBJECT TO CHANGE WITHOUT NOTICE. IT IS CONFIDENTIAL AND A PROPERTY OF Amphenol LTW. DISCLOSURE TO THIRD PARTY HAS TO BE AUTHORIZED BY Amphenol LTW.

B
M8AS-XXPMMR-SF8001

XX: No. Of Pin



PCB Layout



Pin Assignments Front View

UNIT: mm		
TOLERANCE	.X	±0.25
	.XX	±0.1
	.XXX	±0.05
ANGLES		±1°

TITLE N SEN, M8W/KEY-SHLD, SCREW RECEPTACLE, M, M, PCB R			B
SCALE 2:1	SIZE A4	SHEET 2 OF 2	
REV. B	WC-REV. A.5	QC: Inspection item	

Amphenol LTW
安費諾亮泰企業股份有限公司

ITEM NO	DWG NO
	M8AS-XXPMMR-SF8001
CUSTOMER	ALTW

DRAWN BY	CHECKED BY
Yulong_wang	Jinhai
APPROVED BY	
Jerry	

DATE	DATE	DATE
2016-06-14	2016-06-14	2016-06-14

X-ON Electronics

Largest Supplier of Electrical and Electronic Components

Click to view similar products for [Circular Metric Connectors](#) category:

Click to view products by [Amphenol](#) manufacturer:

Other Similar products are found below :

[600X518037X](#) [6STD15PCR99B70A](#) [8R4000A16M020](#) [8R5000A16M005](#) [1200910002](#) [1203580030](#) [1200910008](#) [1200910011](#) [1300140094](#)
[130203-0054](#) [1300140026](#) [1300150099](#) [1-3637-600-5205](#) [1612618](#) [21036836414](#) [8R4006A16M010](#) [1R3006A20M005](#) [41-40011](#) [42-00006](#)
[42-01015](#) [4-22279-4](#) [4-22281-1](#) [4-22284-9](#) [43-00113](#) [43-01088](#) [43-01203](#) [41-40013](#) [42-00008](#) [43-00343](#) [43-01026](#) [43-01162](#) [43-01173](#) [43-](#)
[10000](#) [XS3P-M421-2](#) [600X518050X](#) [8R5006A16M020](#) [8R4000A16M010](#) [6-22279-3](#) [1605332](#) [N03FA03144](#) [1300140077](#) [43-16213](#) [43-](#)
[01338](#) [XS2RD4265](#) [XS2R-D426-1](#) [XS8A-0441](#) [859RD04-103R004](#) [860RD04-113R004](#) [860RD04-213R004](#) [1-213245-2](#)