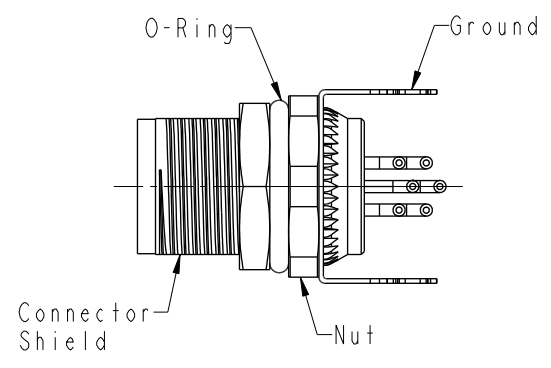
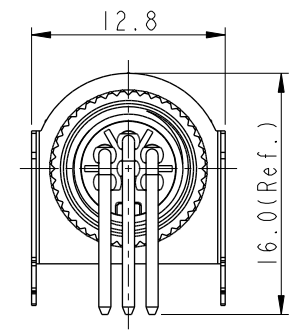
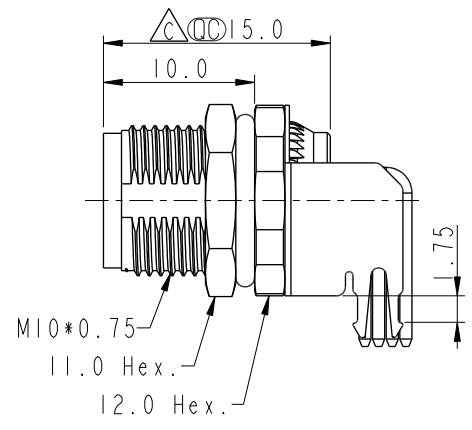
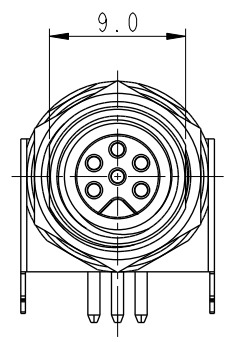
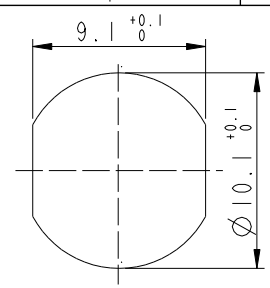


THIS DOCUMENT IS SUBJECT TO CHANGE WITHOUT NOTICE. IT IS CONFIDENTIAL AND A PROPERTY OF Amphenol LTW. DISCLOSURE TO THIRD PARTY HAS TO BE AUTHORIZED BY Amphenol LTW.

REV.	ECN NO.	DATE	SIGN	DESCRIPTION
B	LEN16B0005-009	2016/11/01	Yulong_wang	Change the Note
C	C210686	2021/05/11	Vicky	△X5



- △ Note:
- * RoHS Compliant
 - * Ⓞ Important dimension
 - * Waterproof rate: IPX8, unmated 1m/24h
 - * Connector Housing: Thermoplastic, Black
 - △ Pin: Copper alloy, Gold plated
 - * O-Ring: Rubber, Green
 - * Shield: Metal
 - * Ground: Metal
 - * Nut: Metal
 - * O-Ring: Rubber, Green
 - * For panel thickness: 2.0~4.5mm
 - * For pcb thickness max: 1.6mm
 - * Nut is packed separately in pe bag

UNIT: mm

TOLERANCE	
.X	±0.25
.XX	±0.1
.XXX	±0.05
ANGLES	±1°

TITLE N SEN, M8W/KEY-SHLD, SCREW RECEPTACLE, F, F, PCB R			△
SCALE	SIZE	SHEET	OF
2:1	A4	1	2
REV.	WC-REV.	Ⓞ: Inspection item	
C	A.6		

Amphenol LTW
 安費諾亮泰企業股份有限公司

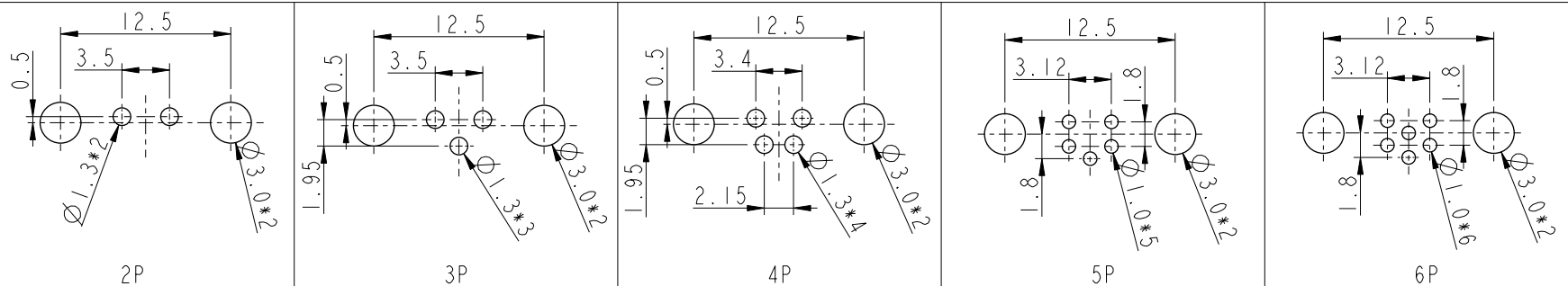
ITEM NO.	DRAWN BY	DATE
	Yulong_wang	2016-11-01
DWG NO.	CHECKED BY	DATE
M8AS-XXPFFR-SF8001	Jinhai	2016-11-01
CUSTOMER	APPROVED BY	DATE
ALTW	Jerry	2016-11-01

A B C D E F

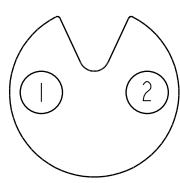
THIS DOCUMENT IS SUBJECT TO CHANGE WITHOUT NOTICE. IT IS CONFIDENTIAL AND A PROPERTY OF Amphenol LTW. DISCLOSURE TO THIRD PARTY HAS TO BE AUTHORIZED BY Amphenol LTW.

△
M8AS-XXPFFR-SF8001

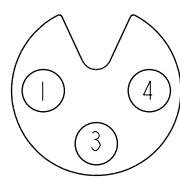
XX: No. Of Pin



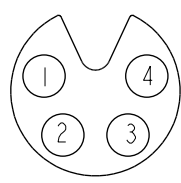
PCB Layout



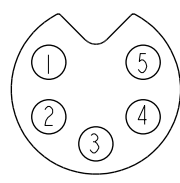
2P



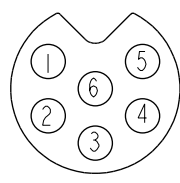
3P



4P



5P



6P

Pin Assignments Front View

UNIT: mm		
TOLERANCE		
.X	±0.25	
.XX	±0.1	
.XXX	±0.05	
ANGLES	±1°	

TITLE N SEN, M8W/KEY-SHLD, SCREW RECEPTACLE, F, F, PCB R			△
SCALE 2:1	SIZE A4	SHEET 2 OF 2	
REV. C	WC-REV. A.6	QC: Inspection item	

Amphenol LTW
安費諾亮泰企業股份有限公司

ITEM NO	DWG NO
	M8AS-XXPFFR-SF8001
CUSTOMER	ALTW

DRAWN BY	CHECKED BY
Yulong_wang	Jinhai
APPROVED BY	
Jerry	

DATE	DATE	DATE
2016-11-01	2016-11-01	2016-11-01

X-ON Electronics

Largest Supplier of Electrical and Electronic Components

Click to view similar products for [Circular Metric Connectors](#) category:

Click to view products by [Amphenol](#) manufacturer:

Other Similar products are found below :

[600X518037X](#) [6STD15PCR99B70A](#) [8R4000A16M020](#) [8R5000A16M005](#) [1200910002](#) [1203580030](#) [1200910008](#) [1200910011](#) [1300140094](#)
[130203-0054](#) [1300140026](#) [1300150099](#) [1-3637-600-5205](#) [1612618](#) [21036836414](#) [8R4006A16M010](#) [1R3006A20M005](#) [41-40011](#) [42-00006](#)
[42-01015](#) [4-22279-4](#) [4-22281-1](#) [4-22284-9](#) [43-00113](#) [43-01203](#) [41-40013](#) [42-00008](#) [43-00343](#) [43-01026](#) [43-01162](#) [43-01173](#) [43-10000](#)
[XS3P-M421-2](#) [600X518050X](#) [8R5006A16M020](#) [8R5006A16M005](#) [8R4000A16M010](#) [6-22279-3](#) [1605332](#) [N03FA03144](#) [1300140077](#) [43-](#)
[16213](#) [43-01338](#) [XS2RD4265](#) [XS2R-D426-1](#) [XS8A-0441](#) [859RD04-103R004](#) [860RD04-113R004](#) [860RD04-213R004](#) [1-213245-2](#)