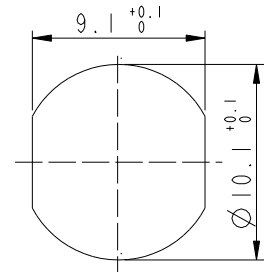


THIS DOCUMENT IS SUBJECT TO CHANGE WITHOUT NOTICE. IT IS CONFIDENTIAL AND A PROPERTY OF Amphenol LTW. DISCLOSURE TO THIRD PARTY HAS TO BE AUTHORIZED BY Amphenol LTW.

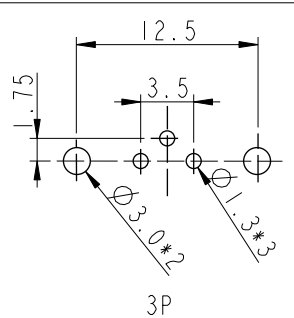
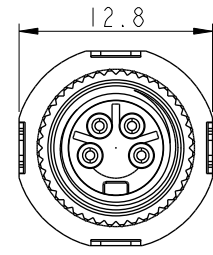
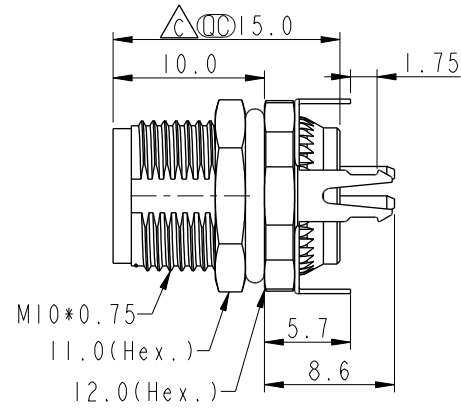
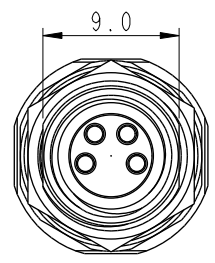
REV.	ECN NO.	DATE	SIGN	DESCRIPTION
A	Initial Release	2016/12/05	Joyy	Chang Rev.01 To Rev.A
B	C192053	2019/11/21	JC Chen	$\triangle B$ X1
C	C210686	2021/05/12	Vicky	$\triangle C$ X4



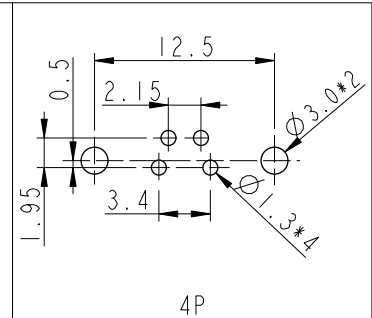
Recommended Panel Cut-Out

$\triangle C$
M8S-XXPFFP-SF8001

XX: No. Of Pin

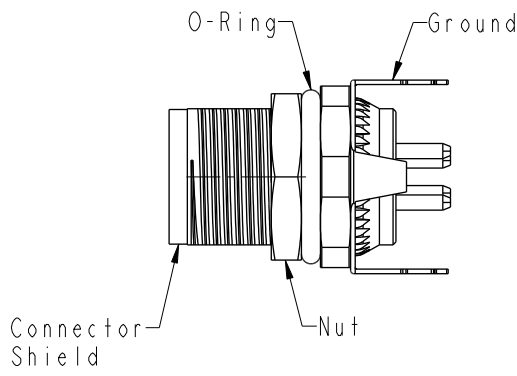


3P

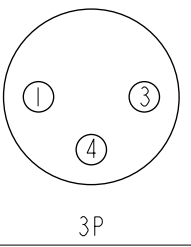


4P

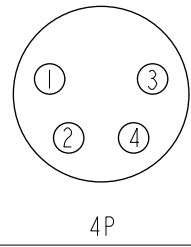
$\triangle B$ PCB Layout



- $\triangle C$ Note:
- * RoHS Compliant
 - * CC Important dimension
 - * Waterproof rate: IPX8, unmated 1m/24h
 - * Connector
 - Housing: Thermoplastic, Black
 - Pin: Copper alloy, Gold plated
 - O-Ring: Rubber, Green
 - * Shield: Metal
 - * Ground: Metal
 - * Nut: Metal
 - * O-Ring: Rubber, Green
 - * For panel thickness: 2.0~4.5mm
 - * For pcb thickness max: 1.6mm
 - * Nut is packed separately in pe bag



3P



4P

Pin Assignments Front View

UNIT: mm			TITLE N SEN, M8-SHLD, SCREW RECEPTACLE, F, F, PCB S
TOLERANCE	.X ±0.25	SCALE 2:1	SIZE A4
.XX ±0.1	REV. C	SHEET 1	OF 1
.XXX ±0.05	WC-REV. .0	CC : Inspection item	
ANGLES ±1°			

Amphenol LTW
安費諾亮泰企業股份有限公司

ITEM NO.	DRAWN BY Joyy	DATE 2016-12-05
DWG NO. M8S-XXPFFP-SF8001	CHECKED BY Yulong_Wang	DATE 2016-12-05
CUSTOMER ALTW	APPROVED BY Jerry	DATE 2016-12-05

X-ON Electronics

Largest Supplier of Electrical and Electronic Components

Click to view similar products for [Standard Circular Connector](#) category:

Click to view products by [Amphenol](#) manufacturer:

Other Similar products are found below :

[5M2530B10P](#) [600259N006](#) [600273N007](#) [6134-336-13149](#) [6134-337-11149](#) [6134-337-2390](#) [6134-341-17149](#) [6280-4SG-516](#) [6280-7SG-3DC](#)
[6290](#) [6291A](#) [66200A-10](#) [680-SMG](#) [681-PMG](#) [CXS3102A14S2P](#) [CXS3102A181S](#) [7251-6SG-300](#) [7271-6SG-300](#) [7282-3PG-300-CH3](#) [75-](#)
[474014-05S](#) [75-474618-01S](#) [75-474618-04P](#) [75-474618-04S](#) [799539-000](#) [MI8-SE](#) [805-005-07NF11-19PC](#) [805-005-07NF15-7PA](#) [8280-4PG-](#)
[516](#) [8280-7PG-519](#) [8282-5PG-519](#) [836783-1](#) [MP-4102-25P-C](#) [862256-1](#) [864019-2](#) [866857-1](#) [867865-1](#) [PT01SP-14-18P](#) [PT08P-14-5S](#)
[PTSF06SE-14-12S](#) [120-1833-000](#) [QCM019PC2DC012B](#) [1-2069279-1](#) [121583-0217](#) [121667-0020](#) [129591AU](#) [1000B BULK](#) [RD10A16-19-](#)
[P6CS051/1](#) [RD10A20-31-P8CS051/1](#) [RD16A14-12-S6CS051/2](#) [1301240290](#) [1301240347](#)