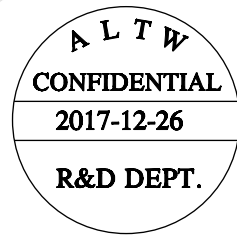
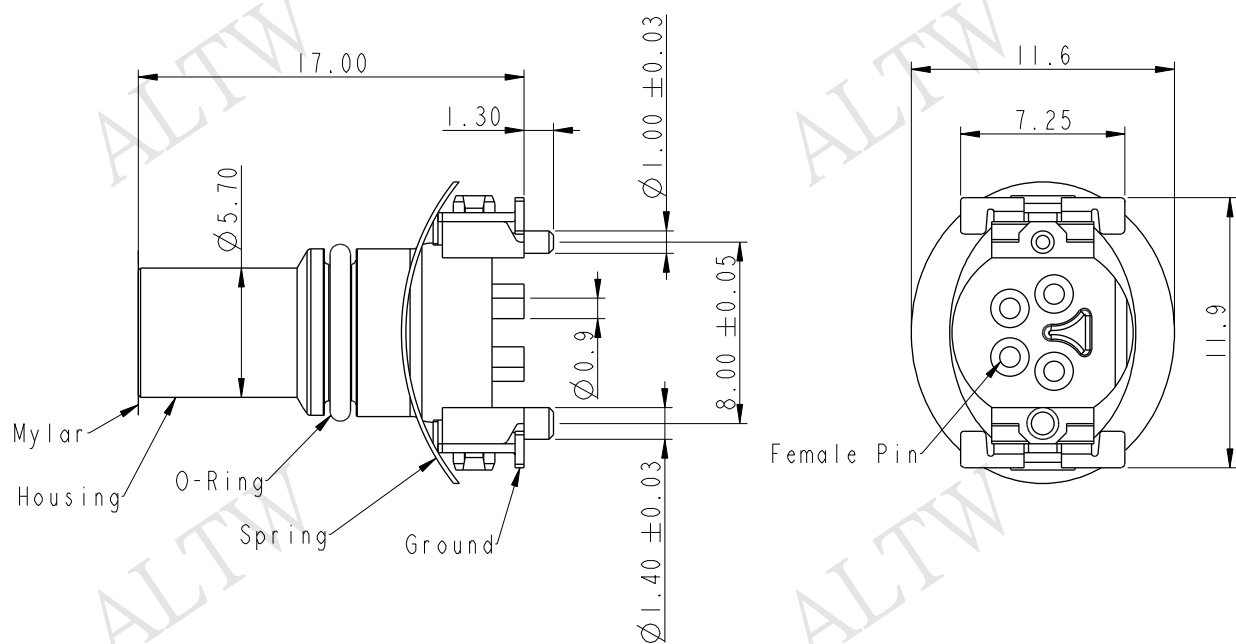


REV.	ECN NO.	DATE	SIGN	DESCRIPTION
A	Initial Release	2017/12/26	Jason Yu	New Item



M8S - XX P F F T - E E 8 0 0 1

M8S: M8 Shield
 03: 3Pin
 04: 4Pin
 P: Panel
 F: Female Connector
 F: Female Pin

001: Serial Number
 8: IP68(Mated, 1M/24Hours)
 IP65(Unmated)
 E: None Back Shell
 E: None Mating Style
 T: SMT Type

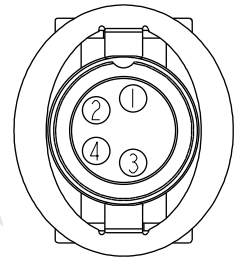
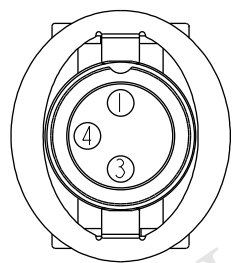
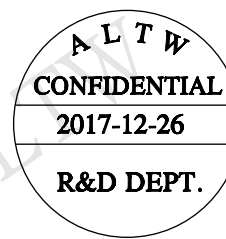
Note:
 * Ⓞ Important Dimension to Check
 Material Specification:
 * Housing: Thermoplastic
 * Female Pin: Copper Alloy, Gold Plated
 * Ground: Copper Alloy, Tin Plated
 * Spring: Stainless Steel
 Electrical Specification:
 * Contact Resistance: 10mΩ (Max.)
 * Insulation Resistance: 100MΩ (Min.)
 * Dielectric Withstanding Voltage: 1KV
 * Rated Voltage: 60V d.c. or a.c.
 * Rated Current: 3A
 Mechanical Specification:
 * Durability: 1000 Cycles (IEC:100 Cycles)
 Environmental Specification:
 * Temperature Range: -55~+125°C
 * Salt Spray: 48 Hrs
 * SMT Temperature & Time: 260°C / 5 sec
 * SMT Paste: 0.12mm

UNIT: mm			TITLE M8 F CONN F PIN SMT TYPE			ITEM NO	DRAWN BY Jason Yu	DATE 2017/12/26
			SCALE 3:1	SIZE A4	SHEET 1 OF 4	DWG NO M8S-XXPFFT-EE8XXX	CHECKED BY Arvin Chan	DATE 2017/12/26
TOLERANCE .X ±0.25 .XX ±0.1 .XXX ±0.05 ANGLES ±1°	REV. A	WC-REV. A.1	QC: Inspection item		CUSTOMER ALTW	APPROVED BY Kevin Hu	DATE 2017/12/26	

Amphenol LTW
 安費諾亮泰企業股份有限公司

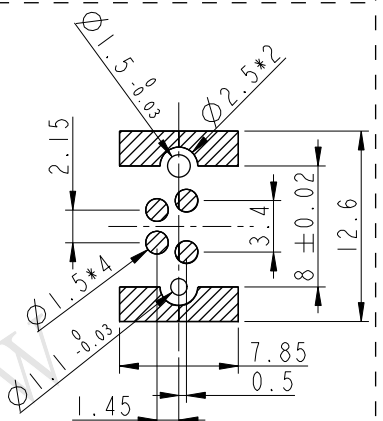
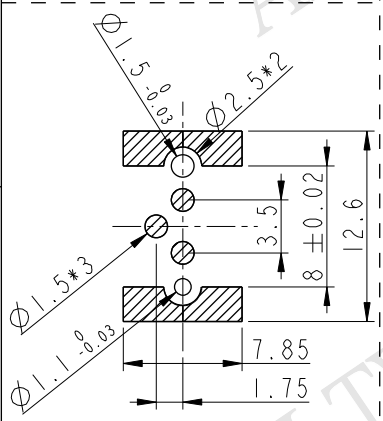
THIS DOCUMENT IS SUBJECT TO CHANGE WITHOUT NOTICE. IT IS CONFIDENTIAL AND A PROPERTY OF AMPHENOL LTW. DISCLOSURE TO THIRD PARTY HAS TO BE AUTHORIZED BY AMPHENOL LTW.

THIS DOCUMENT IS SUBJECT TO CHANGE WITHOUT NOTICE. IT IS CONFIDENTIAL AND A PROPERTY OF Amphenol LTW. DISCLOSURE TO THIRD PARTY HAS TO BE AUTHORIZED BY Amphenol LTW.



3 Pin

4 Pin



Recommended PCB Layout

Recommended PCB Layout

UNIT: mm		
TOLERANCE		
.X	±0.25	
.XX	±0.1	
.XXX	±0.05	
ANGLES	±1°	

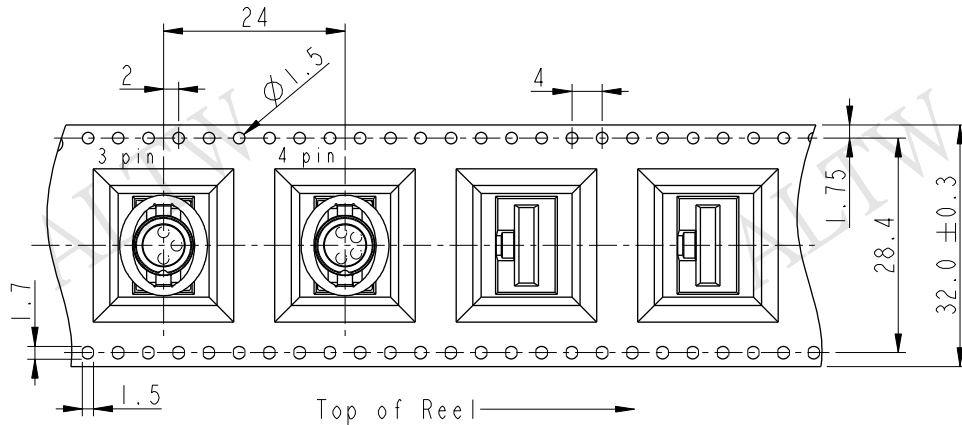
TITLE M8 F CONN F PIN SMT TYPE			
SCALE Free	SIZE A4	SHEET 2 OF 4	
REV. A	WC-REV. A.1	QC: Inspection item	

Amphenol LTW
安費諾亮泰企業股份有限公司

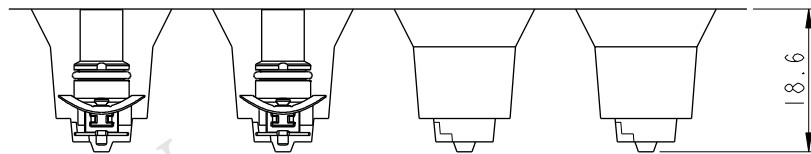
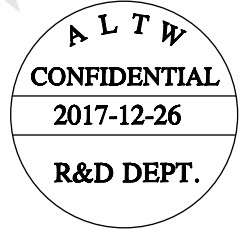
ITEM NO	DRAWN BY Jason Yu	DATE 2017/12/26
DWG NO M8S-XXPFFT-EE8XXX	CHECKED BY Arvin Chan	DATE 2017/12/26
CUSTOMER ALTW	APPROVED BY Kevin Hu	DATE 2017/12/26

DATE 2017/12/26
DATE 2017/12/26
DATE 2017/12/26

Tape & Reel Information:

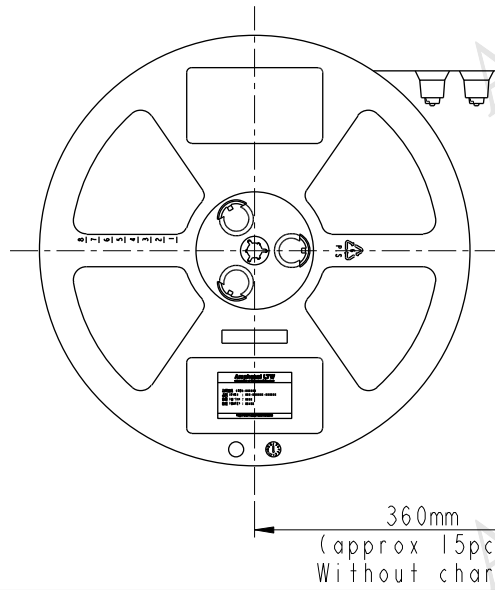
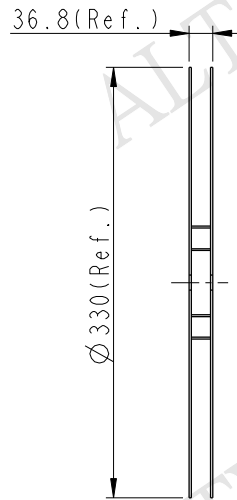


Note:
 * Connector Orientation Follow Drawing



Wide Cover Tape Around
 Out Periphery 1 Turn

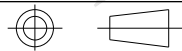
Peeling Strength 0.1~1.3N Max.
 (300±10mm/min)
 Peeling Angle 165~180°



100 PCS/Reel
 With Product Charge

360mm
 (approx 15pcs)
 Without Charge

UNIT: mm



TOLERANCE
 .X ±0.25
 .XX ±0.1
 .XXX ±0.05
 ANGLES ±1°

TITLE M8 F CONN F PIN SMT TYPE			
SCALE Free	SIZE A4	SHEET 3 OF 4	
REV. A	WC-REV. A.1	QC: Inspection item	

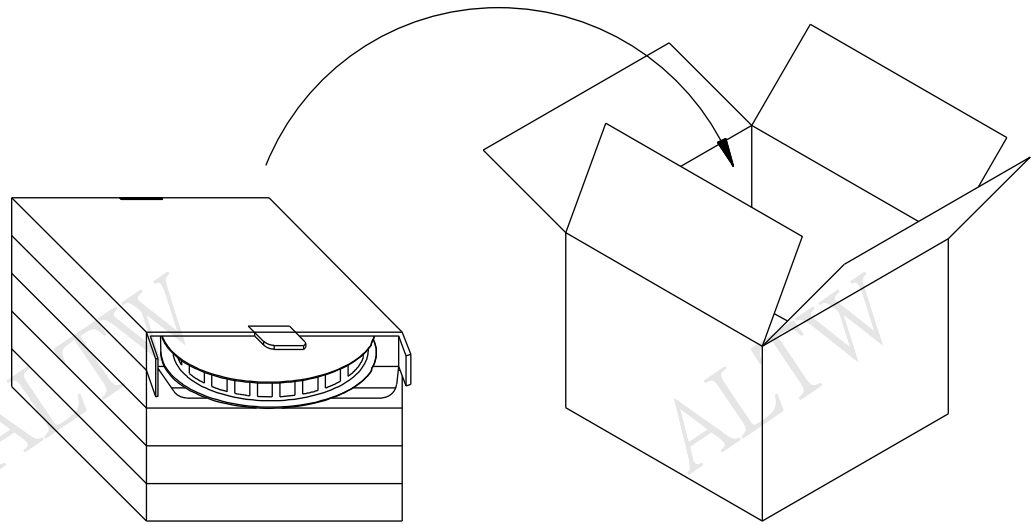
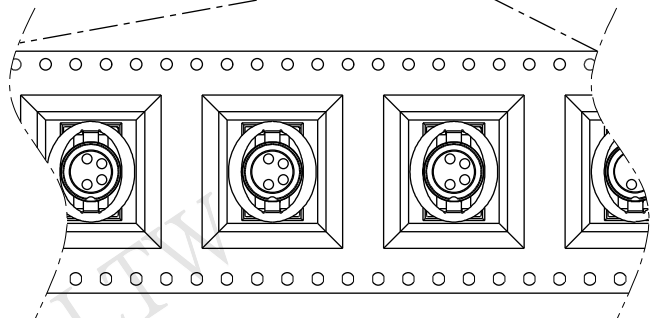
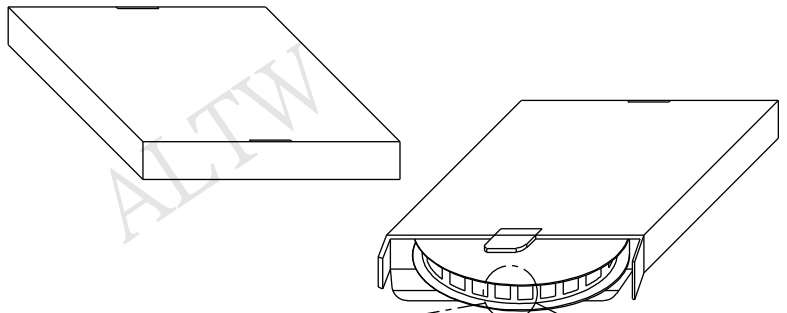
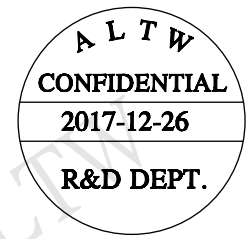
Amphenol LTW
 安費諾亮泰企業股份有限公司

ITEM NO	DRAWN BY Jason Yu	DATE 2017/12/26
DWG NO M8S-XXPFFT-EE8XXX	CHECKED BY Arvin Chan	DATE 2017/12/26
CUSTOMER ALTW	APPROVED BY Kevin Hu	DATE 2017/12/26

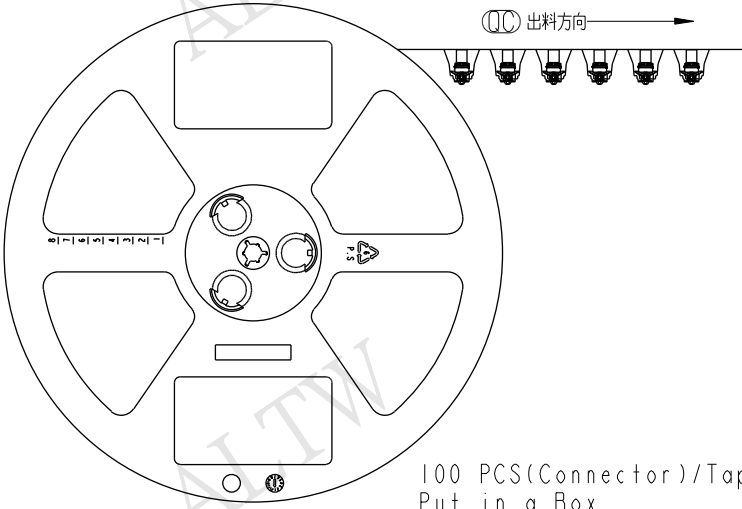
THIS DOCUMENT IS SUBJECT TO CHANGE WITHOUT NOTICE. IT IS CONFIDENTIAL AND A PROPERTY OF AMPHENOL LTW. DISCLOSURE TO THIRD PARTY HAS TO BE AUTHORIZED BY AMPHENOL LTW.

THIS DOCUMENT IS SUBJECT TO CHANGE WITHOUT NOTICE. IT IS CONFIDENTIAL AND A PROPERTY OF Amphenol LTW. DISCLOSURE TO THIRD PARTY HAS TO BE AUTHORIZED BY Amphenol LTW.

Package:



One Carton can put in the 5PCS(Max.) Box
(500 PCS/Carton)



100 PCS(Connector)/Tape&Reel,
Put in a Box

UNIT: mm		
TOLERANCE	.X ±0.25	
.XX ±0.1		
.XXX ±0.05		
ANGLES	±1°	

TITLE M8 F CONN F PIN SMT TYPE			
SCALE Free	SIZE A4	SHEET 4 OF 4	
REV. A	WC-REV. A.1	QC: Inspection item	

Amphenol LTW
安費諾亮泰企業股份有限公司

ITEM NO	DRAWN BY Jason Yu	DATE 2017/12/26
DWG NO M8S-XXPFFT-EE8XXX	CHECKED BY Arvin Chan	DATE 2017/12/26
CUSTOMER ALTW	APPROVED BY Kevin Hu	DATE 2017/12/26

DATE 2017/12/26
DATE 2017/12/26
DATE 2017/12/26

X-ON Electronics

Largest Supplier of Electrical and Electronic Components

Click to view similar products for [Circular Metric Connectors](#) category:

Click to view products by [Amphenol](#) manufacturer:

Other Similar products are found below :

[600X518037X](#) [6STD15PCR99B70A](#) [8R4000A16M020](#) [8R5000A16M005](#) [1200910002](#) [1203580030](#) [1200910008](#) [1200910011](#) [1300140094](#)
[130203-0054](#) [1300140026](#) [1300150099](#) [1-3637-600-5205](#) [1612618](#) [21036836414](#) [8R4006A16M010](#) [1R3006A20M005](#) [41-40011](#) [42-00006](#)
[42-01015](#) [4-22279-4](#) [4-22281-1](#) [4-22284-9](#) [43-00113](#) [43-01203](#) [41-40013](#) [42-00008](#) [43-00343](#) [43-01026](#) [43-01162](#) [43-01173](#) [43-10000](#)
[XS3P-M421-2](#) [600X518050X](#) [8R5006A16M020](#) [8R5006A16M005](#) [8R4000A16M010](#) [6-22279-3](#) [1605332](#) [N03FA03144](#) [1300140077](#) [43-](#)
[16213](#) [43-01338](#) [XS2RD4265](#) [XS2R-D426-1](#) [XS8A-0441](#) [859RD04-103R004](#) [860RD04-113R004](#) [860RD04-213R004](#) [1-213245-2](#)