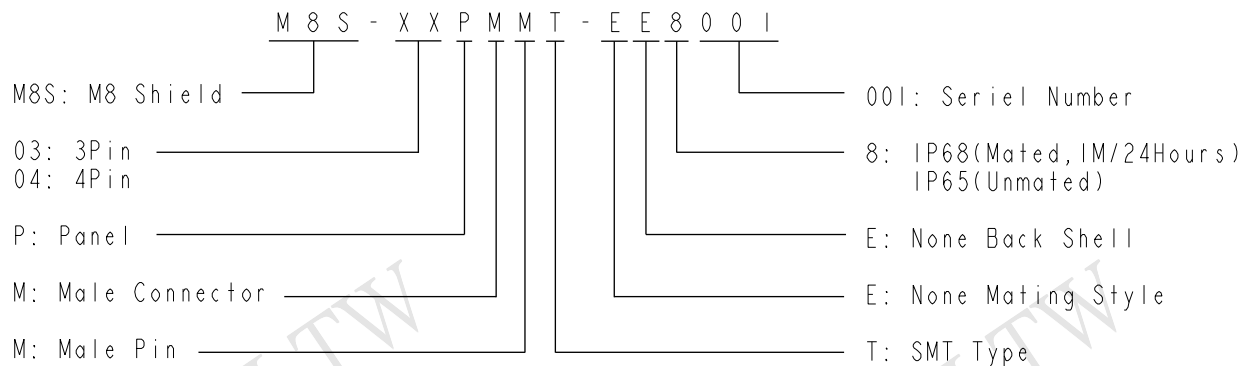
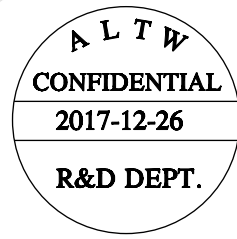
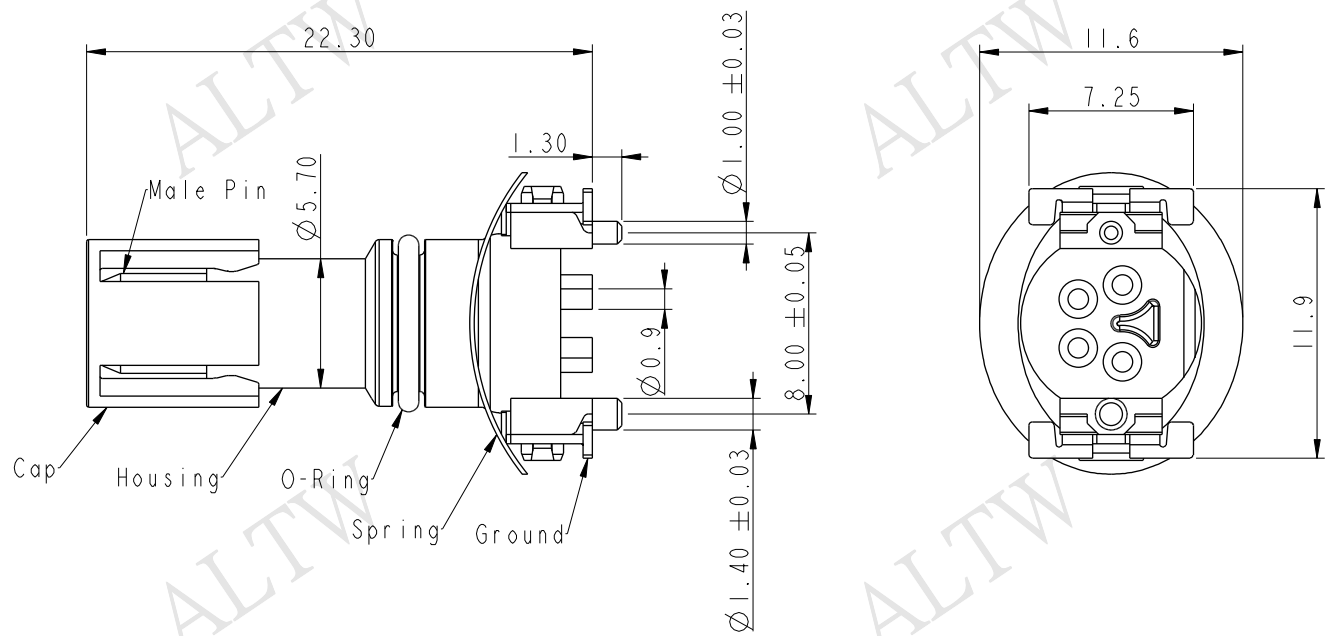


REV.	ECN NO.	DATE	SIGN	DESCRIPTION
A	Initial Release	2017/12/26	Jason Yu	New Item



Note:

- * \varnothing Important Dimension to Check

Material Specification:

- * Housing: Thermoplastic
- * Male Pin: Copper Alloy, Gold Plated
- * Ground: Copper Alloy, Tin Plated
- * Spring: Stainless Steel

Electrical Specification:

- * Contact Resistance: 10m Ω (Max.)
- * Insulation Resistance: 100M Ω (Min.)
- * Dielectric Withstanding Voltage: 1KV
- * Rated Voltage: 60V d.c. or a.c.
- * Rated Current: 3A

Mechanical Specification:

- * Durability: 1000 Cycles (IEC:100 Cycles)

Environmental Specification:

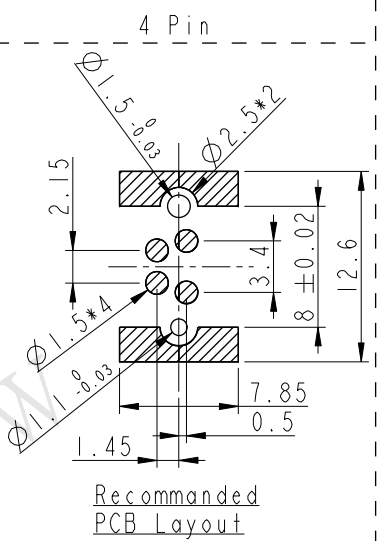
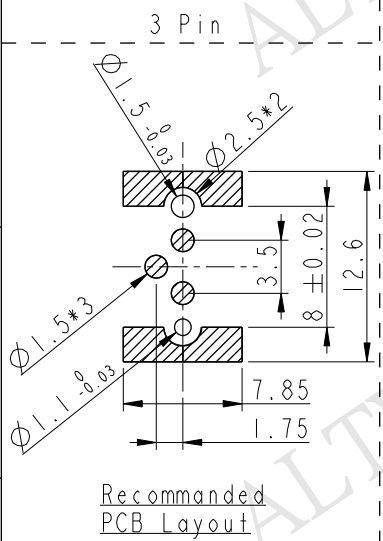
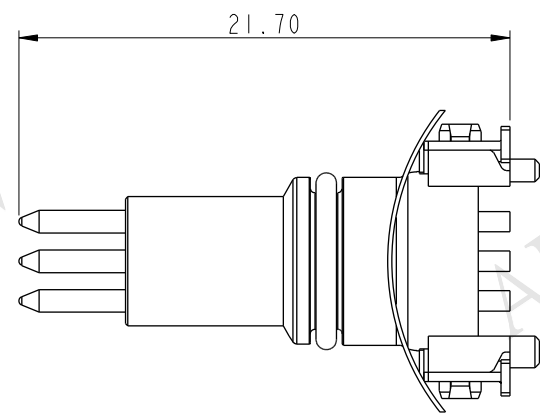
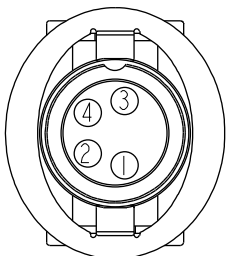
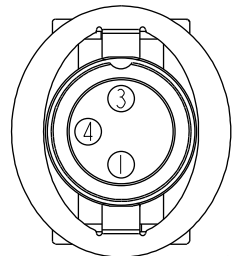
- * Temperature Range: -55~+125 $^{\circ}$ C
- * Salt Spray: 48 Hrs
- * SMT Temperature & Time: 260 $^{\circ}$ C / 5 sec
- * SMT Paste : 0.12mm

UNIT:mm			TITLE M8 M CONN M PIN SMT TYPE			ITEM NO	DRAWN BY Jason Yu	DATE 2017/12/26
			SCALE 3:1	SIZE A4	SHEET 1 OF 4	DWG NO M8S-XXPMMT-EE8XXX	CHECKED BY Arvin Chan	DATE 2017/12/26
TOLERANCE .X ±0.25 .XX ±0.1 .XXX ±0.05 ANGLES ±1 $^{\circ}$	REV. A	WC-REV. A.5	\varnothing : Inspection item		CUSTOMER ALTW	APPROVED BY Kevin Hu	DATE 2017/12/26	
Amphenol LTW 安費諾亮泰企業股份有限公司								

THIS DOCUMENT IS SUBJECT TO CHANGE WITHOUT NOTICE. IT IS CONFIDENTIAL AND A PROPERTY OF AMPHENOL LTW. DISCLOSURE TO THIRD PARTY HAS TO BE AUTHORIZED BY AMPHENOL LTW.

THIS DOCUMENT IS SUBJECT TO CHANGE WITHOUT NOTICE. IT IS CONFIDENTIAL AND A PROPERTY OF AMPHENOL LTW. DISCLOSURE TO THIRD PARTY HAS TO BE AUTHORIZED BY AMPHENOL LTW.

ALTW
CONFIDENTIAL
 2017-12-26
R&D DEPT.



UNIT: mm		
TOLERANCE	.X ±0.25	
	.XX ±0.1	
	.XXX ±0.05	
ANGLES	±1°	

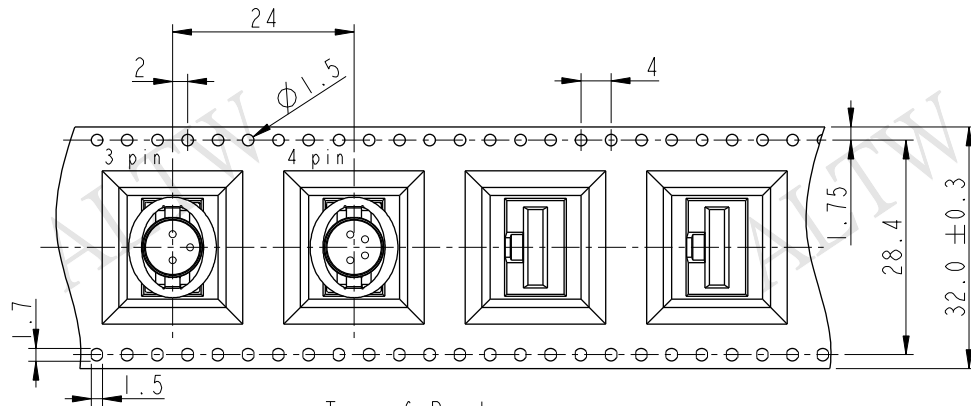
TITLE M8 M CONN M PIN SMT TYPE		
SCALE Free	SIZE A4	SHEET 2 OF 4
REV. A	WC-REV. A.3	QC: Inspection item

Amphenol LTW
 安費諾亮泰企業股份有限公司

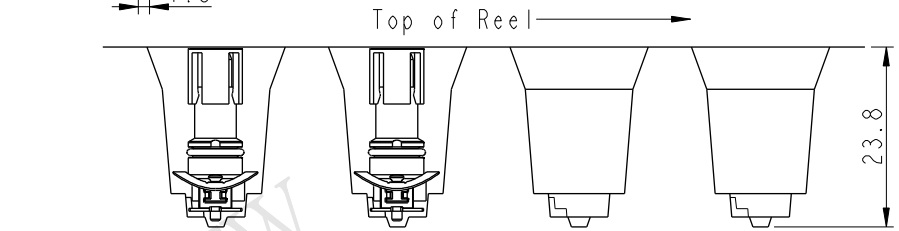
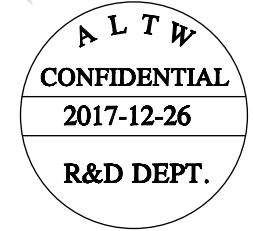
ITEM NO	DRAWN BY	DATE
DWG NO M8S-XXPMMT-EE8XXX	Jason Yu	2017/12/26
CUSTOMER	CHECKED BY	DATE
ALTW	Arvin Chan	2017/12/26
	APPROVED BY	DATE
	Kevin Hu	2017/12/26

8	WI0814-03-0001A1
---	------------------

Tape & Reel Information:

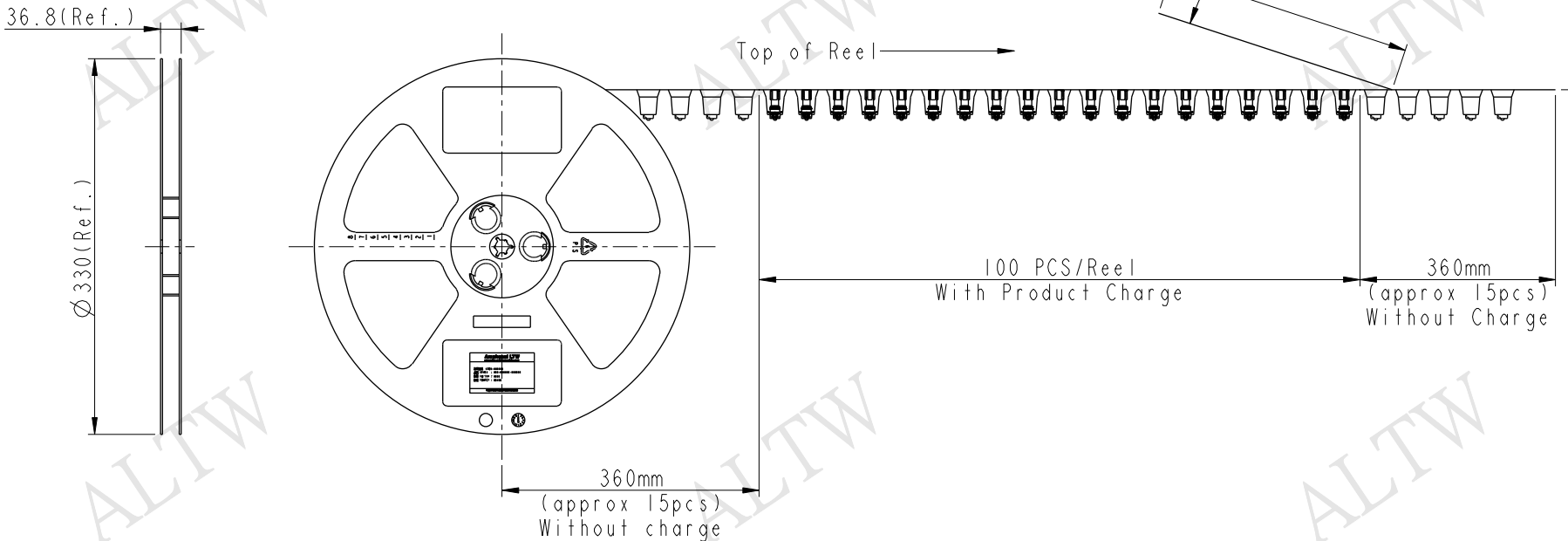


Note:
* (QC) Connector Orientation Follow Drawing



Wide Cover Tape Around
Out Periphery 1 Turn

Peeling Strength 0.1~1.3N Max.
(300±10mm/min)
Peeling Angle 165~180°



UNIT: mm		
TOLERANCE	.X ±0.25	.XX ±0.1
	.XXX ±0.05	ANGLES ±1°

TITLE M8 M CONN M PIN SMT TYPE			
SCALE Free	SIZE A4	SHEET 3 OF 4	
REV. A	WC-REV. A.4	(QC): Inspection item	

Amphenol LTW
安費諾亮泰企業股份有限公司

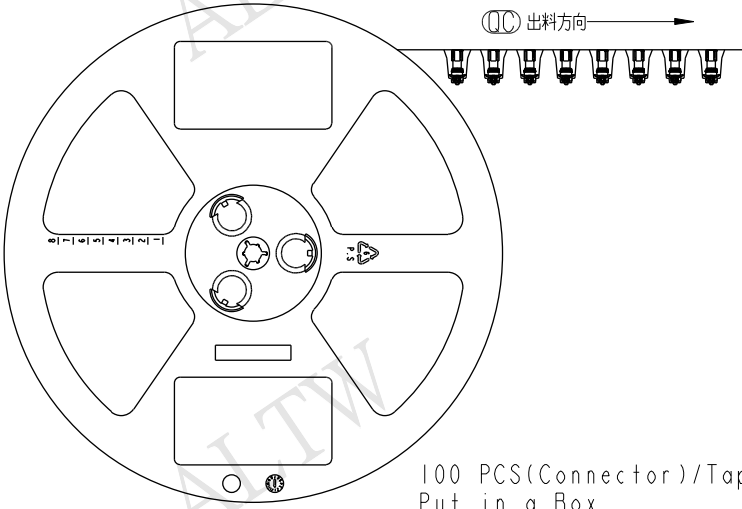
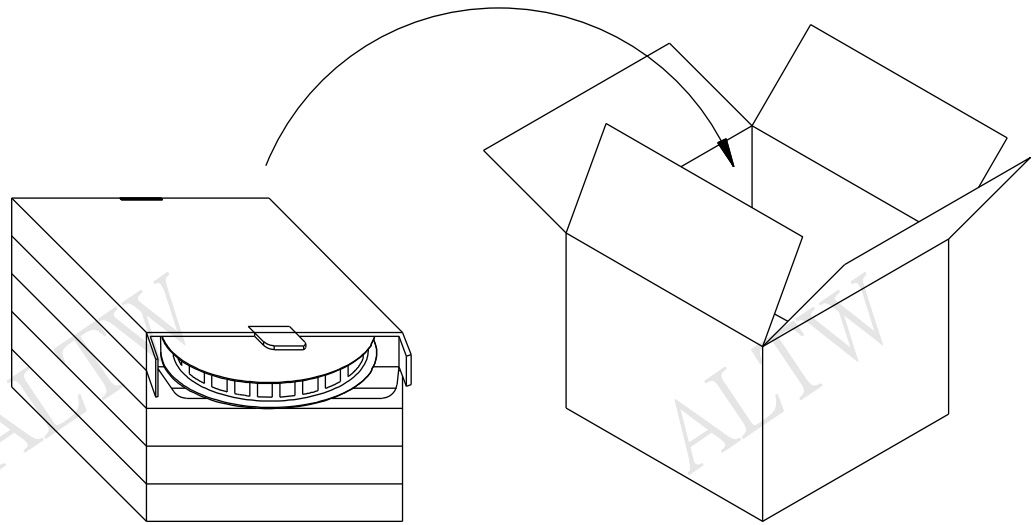
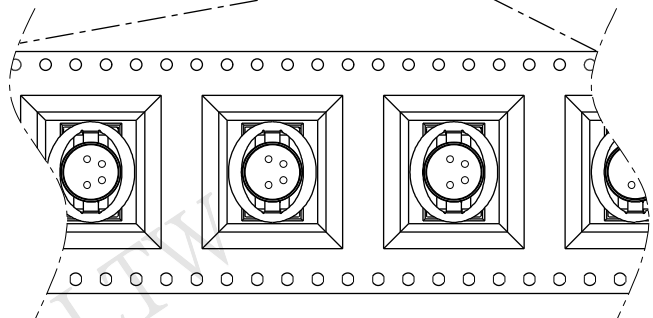
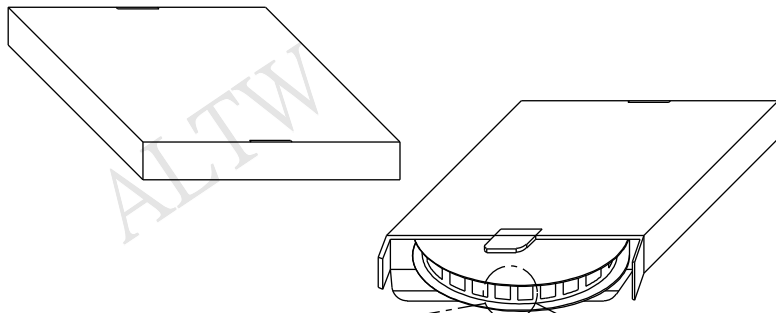
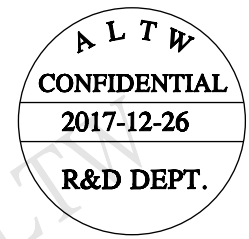
ITEM NO	DRAWN BY Jason Yu	DATE 2017/12/26
DWG NO M8S-XXPMT-EE8XXX	CHECKED BY Arvin Chan	DATE 2017/12/26
CUSTOMER ALTW	APPROVED BY Kevin Hu	DATE 2017/12/26

DATE 2017/12/26
DATE 2017/12/26
DATE 2017/12/26

THIS DOCUMENT IS SUBJECT TO CHANGE WITHOUT NOTICE. IT IS CONFIDENTIAL AND A PROPERTY OF AMPHENOL LTW. DISCLOSURE TO THIRD PARTY HAS TO BE AUTHORIZED BY AMPHENOL LTW.

THIS DOCUMENT IS SUBJECT TO CHANGE WITHOUT NOTICE. IT IS CONFIDENTIAL AND A PROPERTY OF Amphenol LTW. DISCLOSURE TO THIRD PARTY HAS TO BE AUTHORIZED BY Amphenol LTW.

Package:



One Carton can put in the 5PCS(Max.) Box
(500 PCS/Carton)

100 PCS(Connector)/Tape&Reel,
Put in a Box

A	UNIT: mm			TITLE M8 M CONN M PIN SMT TYPE		ITEM NO	DRAWN BY Jason Yu	DATE 2017/12/26
	TOLERANCE .X ±0.25 .XX ±0.1 .XXX ±0.05 ANGLES ±1°	SCALE Free	SIZE A4	SHEET 4	OF 4	DWG NO M8S-XXPMT-EE8XXX	CHECKED BY Arvin Chan	DATE 2017/12/26
	REV. A	WC-REV. A.3	(QC): Inspection item		CUSTOMER ALTW	APPROVED BY Kevin Hu	DATE 2017/12/26	
		2	3	4	5	6	7	8

Amphenol LTW
安費諾亮泰企業股份有限公司

X-ON Electronics

Largest Supplier of Electrical and Electronic Components

Click to view similar products for [Circular Metric Connectors](#) category:

Click to view products by [Amphenol](#) manufacturer:

Other Similar products are found below :

[600X518037X](#) [6STD15PCR99B70A](#) [8R4000A16M020](#) [8R5000A16M005](#) [1200910002](#) [1203580030](#) [1200910008](#) [1200910011](#) [1300140094](#)
[130203-0054](#) [1300140026](#) [1300150099](#) [1-3637-600-5205](#) [1612618](#) [21036836414](#) [8R4006A16M010](#) [1R3006A20M005](#) [41-40011](#) [42-00006](#)
[42-01015](#) [4-22279-4](#) [4-22281-1](#) [4-22284-9](#) [43-00113](#) [43-01203](#) [41-40013](#) [42-00008](#) [43-00343](#) [43-01026](#) [43-01162](#) [43-01173](#) [43-10000](#)
[XS3P-M421-2](#) [600X518050X](#) [8R5006A16M020](#) [8R5006A16M005](#) [8R4000A16M010](#) [6-22279-3](#) [1605332](#) [N03FA03144](#) [1300140077](#) [43-](#)
[16213](#) [43-01338](#) [XS2RD4265](#) [XS2R-D426-1](#) [XS8A-0441](#) [859RD04-103R004](#) [860RD04-113R004](#) [860RD04-213R004](#) [1-213245-2](#)