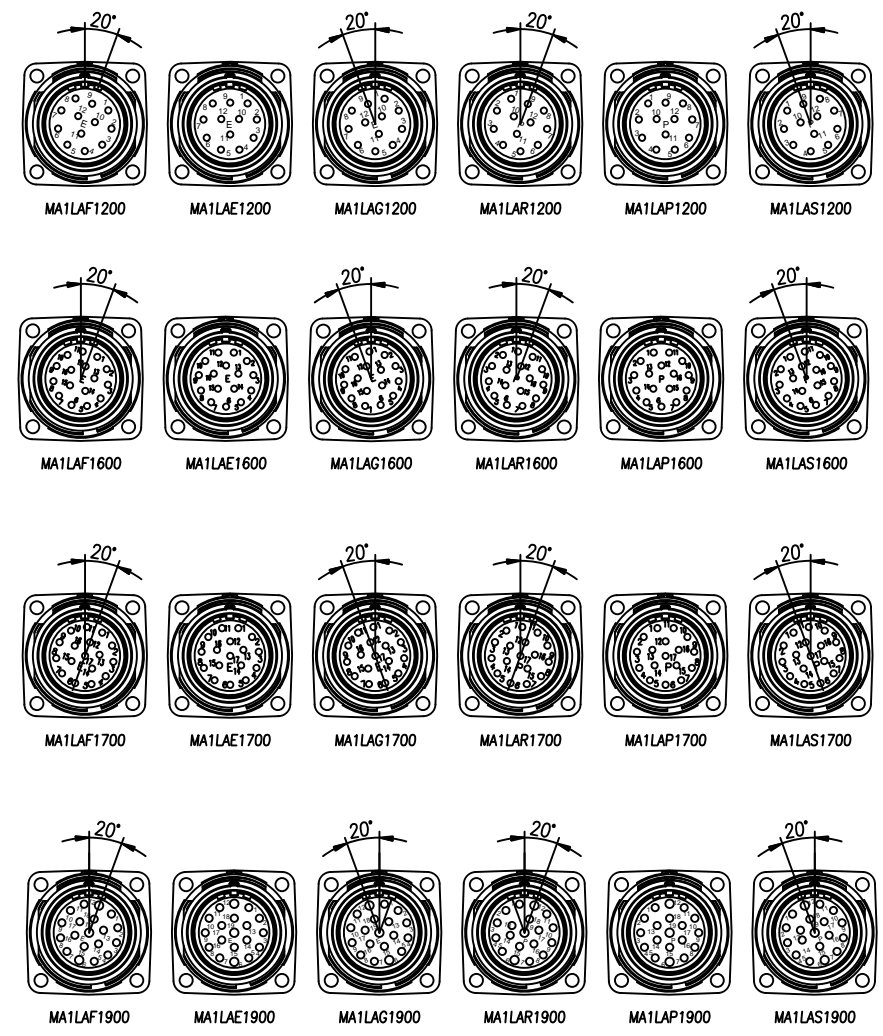
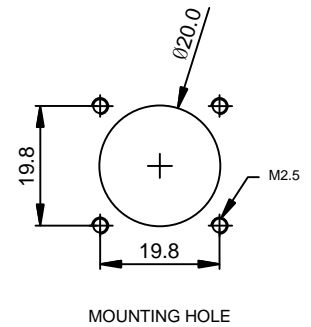
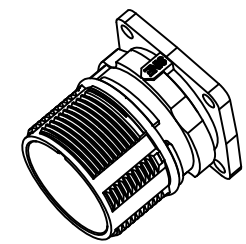
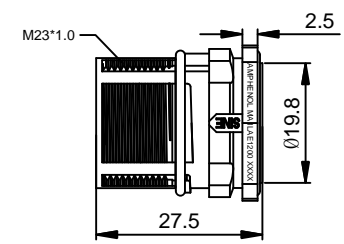
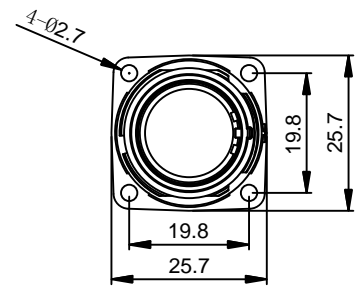


| REVISIONS |     |                        |             |       |       |
|-----------|-----|------------------------|-------------|-------|-------|
| REV       | ECO | DESCRIPTION            | DATE        | BY    | APPR  |
| B1        | -   | RELEASE NEW DWG FORMAT | Feb.06,2014 | Tod   | Tommy |
| B2        | -   | UPDATE THE DURABILITY  | Jun.27,2015 | Drack | Tommy |
| B3        | -   | UPDATED                | 04DEC15     | MRF   | Tommy |



| -        | MA1LAS1900  | M23, RECP, ST, 19POS, P TYPE, KEYED "S" | 27   |
|----------|-------------|---|------|
| -        | MA1LAR1900  | M23, RECP, ST, 19POS, P TYPE, KEYED "R" | 26   |
| -        | MA1LAP1900  | M23, RECP, ST, 19POS, P TYPE            | 25   |
| -        | MA1LAG1900  | M23, RECP, ST, 19POS, E TYPE, KEYED "G" | 24   |
| -        | MA1LAF1900  | M23, RECP, ST, 19POS, E TYPE, KEYED "F" | 23   |
| -        | MA1LAE1900  | M23, RECP, ST, 19POS, E TYPE            | 22   |
| -        | MA1LAS1700  | M23, RECP, ST, 17POS, P TYPE, KEYED "S" | 20   |
| -        | MA1LAR1700  | M23, RECP, ST, 17POS, P TYPE, KEYED "R" | 19   |
| -        | MA1LAP1700  | M23, RECP, ST, 17POS, P TYPE            | 18   |
| -        | MA1LAG1700  | M23, RECP, ST, 17POS, E TYPE, KEYED "G" | 17   |
| -        | MA1LAF1700  | M23, RECP, ST, 17POS, E TYPE, KEYED "F" | 16   |
| -        | MA1LAE1700  | M23, RECP, ST, 17POS, E TYPE            | 15   |
| -        | MA1LAS1600  | M23, RECP, ST, 16POS, P TYPE, KEYED "S" | 13   |
| -        | MA1LAR1600  | M23, RECP, ST, 16POS, P TYPE, KEYED "R" | 12   |
| -        | MA1LAP1600  | M23, RECP, ST, 16POS, P TYPE            | 11   |
| -        | MA1LAG1600  | M23, RECP, ST, 16POS, E TYPE, KEYED "G" | 10   |
| -        | MA1LAF1600  | M23, RECP, ST, 16POS, E TYPE, KEYED "F" | 9    |
| -        | MA1LAE1600  | M23, RECP, ST, 16POS, E TYPE            | 8    |
| -        | MA1LAS1200  | M23, RECP, ST, 12POS, P TYPE, KEYED "S" | 6    |
| -        | MA1LAR1200  | M23, RECP, ST, 12POS, P TYPE, KEYED "R" | 5    |
| -        | MA1LAP1200  | M23, RECP, ST, 12POS, P TYPE            | 4    |
| -        | MA1LAG1200  | M23, RECP, ST, 12POS, E TYPE, KEYED "G" | 3    |
| -        | MA1LAF1200  | M23, RECP, ST, 12POS, E TYPE, KEYED "F" | 2    |
| -        | MA1LAE1200  | M23, RECP, ST, 12POS, E TYPE            | 1    |
| QUANTITY | PART NUMBER | DESCRIPTION                             | ITEM |

| MATERIALS LIST  |  |              |   |      |      |         |          |   |    |            |    |
|---|--|--------------|---|------|------|---------|----------|---|----|------------|----|
| UNLESS OTHERWISE SPECIFIED  | SIGNATURES   | DATE         | <h1>Amphenol</h1> <p>Sine Systems - www.amphenol-sine.com<br/>44724 Morley Drive<br/>Clinton Township, MI 48036</p>   |      |      |         |          |   |    |            |    |
| 1) All dimensions are in metric(mm).<br>2) Tolerances are as follows:<br>1 PL DEC ±0.30<br>2 PL DEC ±0.15<br>3 PL DEC ±0.08 | DRAWN: Drack   | Jun.27,2015  |   |      |      |         |          |   |    |            |    |
| 3) Note reference =   | CHECKED:   |              |   |      |      |         |          |   |    |            |    |
|   | ENGINEER:  |              |   |      |      |         |          |   |    |            |    |
| MATERIAL SPECIFICATIONS:  | APPROVAL:  |              | M23, RECEPTACLE, STRAIGHT, THREADED   |      |      |         |          |   |    |            |    |
| PROCESS SPECIFICATIONS:   | CUSTOMER:  |              |   |      |      |         |          |   |    |            |    |
| NEXT ASSY:  | THIS DRAWING IS SUPPLIED FOR INFORMATION ONLY. DESIGN FEATURES, SPECIFICATIONS AND PERFORMANCE DATA SHOWN HEREON ARE THE PROPERTY OF THE AMPHENOL CORPORATION. NO RIGHTS OF REPRODUCTION ARE IMPLIED. ALL DIMENSIONS ARE SUBJECT TO NORMAL MANUFACTURING VARIATIONS. |              | <table border="1"> <tr> <td>SIZE</td> <td>TYPE</td> <td>DWG NO.</td> <td>REVISION</td> </tr> <tr> <td>B</td> <td>C-</td> <td>MA1LAXxx00</td> <td>B3</td> </tr> </table> | SIZE | TYPE | DWG NO. | REVISION | B | C- | MA1LAXxx00 | B3 |
| SIZE  | TYPE   | DWG NO.      | REVISION  |      |      |         |          |   |    |            |    |
| B   | C-   | MA1LAXxx00   | B3  |      |      |         |          |   |    |            |    |
|   | SCALE: NONE  | C-MA1LAXxx00 | SHEET 1 OF 1  |      |      |         |          |   |    |            |    |

- NOTES: UNLESS OTHERWISE SPECIFIED
- MATERIAL:  
INSULATION INSERT: PA66,UL94 V0  
SEAL: VITON  
HOUSING BODY: ZINC DIE CAST, NICKEL PLATED
  - SPECIFICATIONS:
    - CURRENT RATING: 10 AMPS - 12 POSITION  
9 AMPS - 16 POSITION  
9 AMPS - 17 POSITION  
7 AMPS - 19 POSITION
    - VOLTAGE RATING: 160V AC/DC - 12 POSITION  
125V AC/DC - 16 POSITION  
125V AC/DC - 17 POSITION  
63V AC/DC - 19 POSITION
    - OPERATING TEMPERATURE: -20°C TO +130°C
    - DIELECTRIC WITHSTANDING VOLTAGE: LESS THAN 2 MILLIAMPS CURRENT LEAKAGE @ 2500 VOLTS AC.
    - DEGREE OF PROTECTION: IP67 ( MATED CONDITION )
    - DEGREE OF POLLUTION: 3 PER UL840
    - OVERVOLTAGE CATEGORY: III PER UL840
    - MATING CYCLE DURABILITY: >500 CYCLES
    - RoHS COMPLIANT
  - ALL DIMENSIONS ARE FOR REFERENCE USE ONLY.

TITLE: M23 RECEPTACLE, STRAIGHT, THREADED  
DWG NO: MA1LAXxx00  
REV: B3  
SH: 1  
OF: 1

## X-ON Electronics

Largest Supplier of Electrical and Electronic Components

*Click to view similar products for [Circular Metric Connectors](#) category:*

*Click to view products by [Amphenol](#) manufacturer:*

Other Similar products are found below :

[600X518037X](#) [6STD15PCR99B70A](#) [8R4000A16M020](#) [8R5000A16M005](#) [1200910002](#) [1203580030](#) [1200910008](#) [1200910011](#) [1300140094](#)  
[130203-0054](#) [1300140026](#) [1300150099](#) [1-3637-600-5205](#) [1612618](#) [21036836414](#) [8R4006A16M010](#) [1R3006A20M005](#) [41-40011](#) [42-00006](#)  
[42-01015](#) [4-22279-4](#) [4-22281-1](#) [4-22284-9](#) [43-00113](#) [43-01203](#) [41-40013](#) [42-00008](#) [43-00343](#) [43-01026](#) [43-01162](#) [43-01173](#) [43-10000](#)  
[XS3P-M421-2](#) [600X518050X](#) [8R5006A16M020](#) [8R5006A16M005](#) [8R4000A16M010](#) [6-22279-3](#) [1605332](#) [N03FA03144](#) [1300140077](#) [43-](#)  
[16213](#) [43-01338](#) [XS2RD4265](#) [XS2R-D426-1](#) [XS8A-0441](#) [859RD04-103R004](#) [860RD04-113R004](#) [860RD04-213R004](#) [1-213245-2](#)