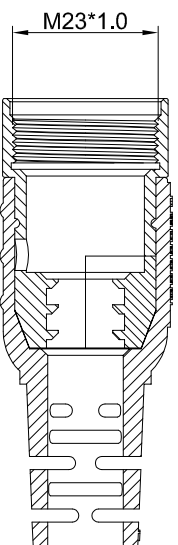
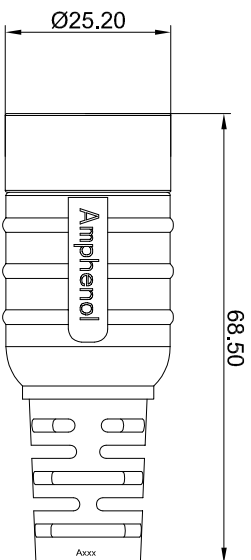
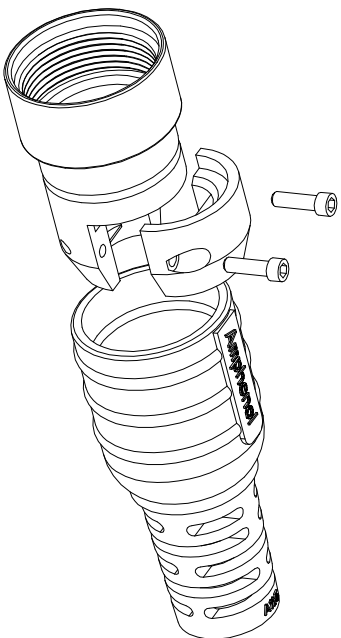


REVISONS					
REV	ECO	DESCRIPTION	DATE	BY	APPR
B1	-	RELEASE NEW DWG FORMAT	Jun.16.2014	Tod	Tommy
B2	-	UPDATE THE PART NUMBER	Jun.27.2015	Drack	Tommy



- NOTES: UNLESS OTHERWISE SPECIFIED
- MATERIAL:  
BODY: ZINC DIE CAST, NICKEL PLATED  
BOOT: TPE(BLACK)
  - SPECIFICATIONS:  
2.1 DEGREE OF PROTECTION: IP67 (MATED CONDITION)  
MUST BE POTTED TO ACHIEVE IP67 RATING  
2.2 RoHS COMPLIANT
  - ALL DIMENSIONS ARE FOR REFERENCE USE ONLY.

ITEM	DESCRIPTION	QTY	UNIT
1	MA4FSR-A8.5	7.5-8.5 mm	Cable OD Range
2	MA4FSR-A10.5	9.5-10.5 mm	
3	MA4FSR-A12.8	11.5-12.8 mm	

QUANTITY	SEE PART NUMBER CHART	PART NUMBER	DESCRIPTION	ITEM
<b>MATERIALS LIST</b>				

UNLESS OTHERWISE SPECIFIED  
 1) All dimensions are in millimeters.  
 2) Tolerances are as follows:  
 1. R1, DEC ±0.30 Fractions ±1/64  
 5. R1, DEC ±0.08 Angles ±1°  
 3) Note reference =  $\Delta$

MATERIAL SPECIFICATIONS:

PROCESS SPECIFICATIONS:

TEXT ASST:

THIS DRAWING IS SUPPLIED FOR THE PURPOSES OF INFORMATION ONLY. IT IS NOT TO BE USED FOR THE PRODUCTION OF PARTS. SPECIFICATIONS AND PERFORMANCE DATA SHOWN HEREON ARE THE PROPERTY OF AMPHENOL. REPRODUCTION OR PARTS OF REPRODUCTION ARE INVIOLABLE. ALL DIMENSIONS ARE SUBJECT TO NORMAL MANUFACTURING VARIATIONS.

CUSTOMER:

M23A, Flexible Strain Relief

Sine Systems - www.amphenol-sine.com  
 44724 Morley Drive  
 Clinton Township, MI 48036

**Ampheno!**

SIZE	TYPE	DWG NO.	REVISION
B	C-	MA4FSR-Axxx	B2

SCALE: NONE SHEET 1 OF 1

TITLE: M23A Flexible Strain Relief

DWG NO.: MA4FSR-Axxx

REV: B2

SH: 1

OF: 1

## X-ON Electronics

Largest Supplier of Electrical and Electronic Components

*Click to view similar products for [Circular Metric Connectors](#) category:*

*Click to view products by [Amphenol](#) manufacturer:*

Other Similar products are found below :

[600X518037X](#) [6STD15PCR99B70A](#) [8R4000A16M020](#) [8R5000A16M005](#) [1200910002](#) [1203580030](#) [1200910008](#) [1200910011](#) [1300140094](#)  
[130203-0054](#) [1300140026](#) [1300150099](#) [1-3637-600-5205](#) [1612618](#) [21036836414](#) [8R4006A16M010](#) [1R3006A20M005](#) [41-40011](#) [42-00006](#)  
[42-01015](#) [4-22279-4](#) [4-22281-1](#) [4-22284-9](#) [43-00113](#) [43-01203](#) [41-40013](#) [42-00008](#) [43-00343](#) [43-01026](#) [43-01162](#) [43-01173](#) [43-10000](#)  
[XS3P-M421-2](#) [600X518050X](#) [8R5006A16M020](#) [8R5006A16M005](#) [8R4000A16M010](#) [6-22279-3](#) [1605332](#) [N03FA03144](#) [1300140077](#) [43-](#)  
[16213](#) [43-01338](#) [XS2RD4265](#) [XS2R-D426-1](#) [XS8A-0441](#) [859RD04-103R004](#) [860RD04-113R004](#) [860RD04-213R004](#) [1-213245-2](#)