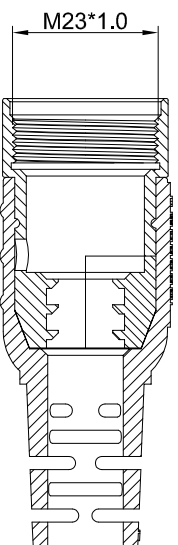
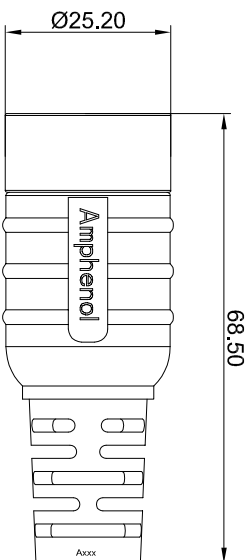
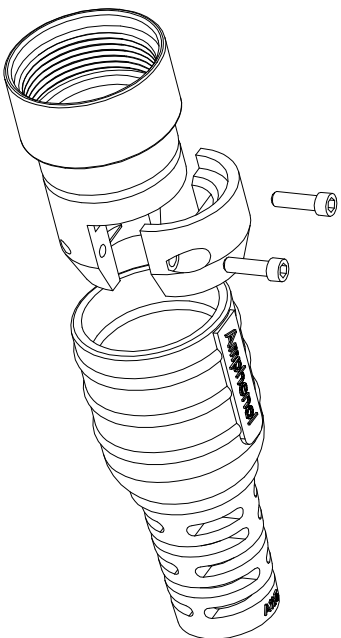


REVISIONS					
REV	ECO	DESCRIPTION	DATE	BY	APPR
B1	-	RELEASE NEW DWG FORMAT	Jun.16.2014	Tod	Tommy
B2	-	UPDATE THE PART NUMBER	Jun.27.2015	Drack	Tommy



- NOTES: UNLESS OTHERWISE SPECIFIED
- MATERIAL:
BODY: ZINC DIE CAST, NICKEL PLATED
BOOT: TPE(BLACK)
 - SPECIFICATIONS:
2.1 DEGREE OF PROTECTION: IP67 (MATED CONDITION)
MUST BE POTTED TO ACHIEVE IP67 RATING
2.2 RoHS COMPLIANT
 - ALL DIMENSIONS ARE FOR REFERENCE USE ONLY.

ITEM	DESCRIPTION	QTY	UNIT
1	MA4FSR-A8.5	7.5-8.5 mm	
2	MA4FSR-A10.5	9.5-10.5 mm	
3	MA4FSR-A12.8	11.5-12.8 mm	

QUANTITY	SEE PART NUMBER CHART	PART NUMBER	DESCRIPTION	ITEM
MATERIALS LIST				

SIGNATURES	DATE	DESCRIPTION
DRAWN: Drack	Jun.27.2015	Ampheno! Sine Systems - www.amphenol-sine.com 44724 Morley Drive Clifton Township, MI 48036
CHECKED:		
ENGINEER:		

UNLESS OTHERWISE SPECIFIED	PROCESS SPECIFICATIONS:	THIS DRAWING IS SUPPLIED FOR
1) All dimensions are in millimeters. 2) Tolerances are as follows: 1. R1, DEC ±0.30 Fractions ±1/64 5. R1, DEC ±0.08 Angles ±1° 3) Note reference = MATERIAL SPECIFICATIONS:		THE CUSTOMER'S USE. SPECIFICATIONS AND PERFORMANCE DATA SHOWN HEREON ARE THE PROPERTY OF AMPHENOL. REPRODUCTION OR PARTS OF REPRODUCTION ARE INVIOLABLE. ALL DIMENSIONS ARE SUBJECT TO NORMAL MANUFACTURING VARIATIONS.
TOLERANCE:		

X-ON Electronics

Largest Supplier of Electrical and Electronic Components

Click to view similar products for [Circular Metric Connectors](#) category:

Click to view products by [Amphenol](#) manufacturer:

Other Similar products are found below :

[600X518037X](#) [6STD15PCR99B70A](#) [8R4000A16M020](#) [8R5000A16M005](#) [1200910002](#) [1203580030](#) [1200910008](#) [1200910011](#) [1300140094](#)
[130203-0054](#) [1300140026](#) [1300150099](#) [1-3637-600-5205](#) [1612618](#) [21036836414](#) [8R4006A16M010](#) [1R3006A20M005](#) [41-40011](#) [42-00006](#)
[42-01015](#) [4-22279-4](#) [4-22281-1](#) [4-22284-9](#) [43-00113](#) [43-01203](#) [41-40013](#) [42-00008](#) [43-00343](#) [43-01026](#) [43-01162](#) [43-01173](#) [43-10000](#)
[XS3P-M421-2](#) [600X518050X](#) [8R5006A16M020](#) [8R5006A16M005](#) [8R4000A16M010](#) [6-22279-3](#) [1605332](#) [N03FA03144](#) [1300140077](#) [43-](#)
[16213](#) [43-01338](#) [XS2RD4265](#) [XS2R-D426-1](#) [XS8A-0441](#) [859RD04-103R004](#) [860RD04-113R004](#) [860RD04-213R004](#) [1-213245-2](#)