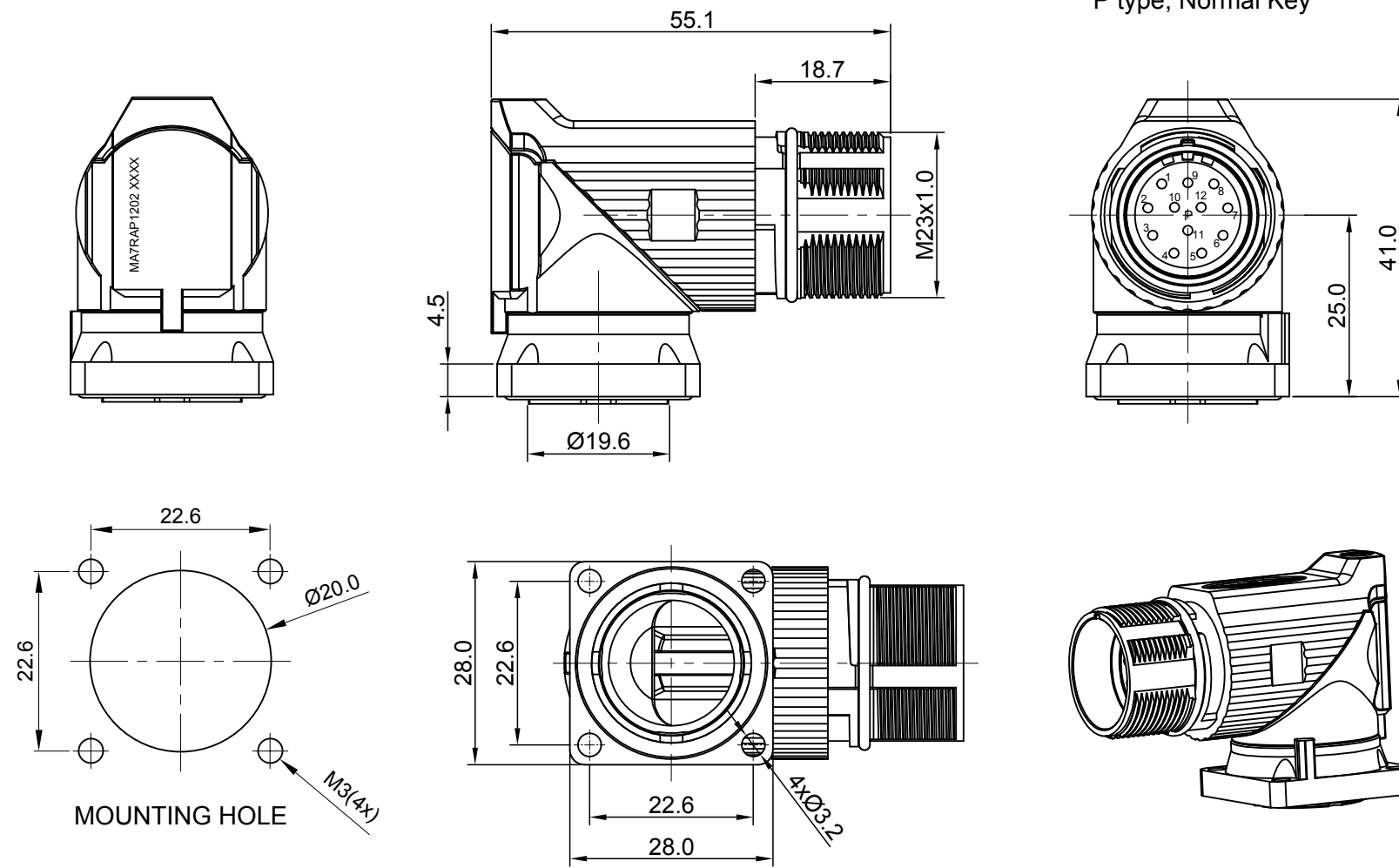


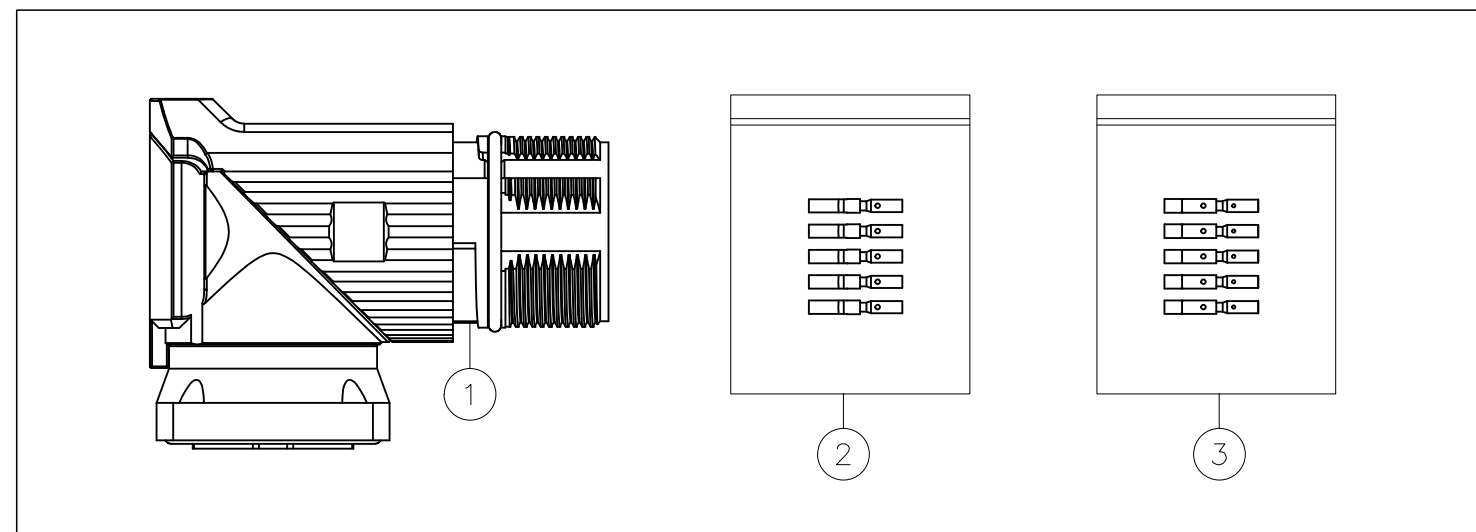
REVISIONS					
REV	ECO	DESCRIPTION	DATE	BY	APPR
A1	-	FIRST RELEASE	Jan.12.2018	White	Tommy

P type, Normal Key



NOTES: UNLESS OTHERWISE SPECIFIED

- MATERIAL:
 - INSULATION INSERT: PA66,UL94 V0
 - SEAL: VITON
 - HOUSING BODY: ZINC DIE CAST, NICKEL PLATED
 - CONTACT: COPPER ALLOY, GOLD PLATED
- SPECIFICATIONS:
 - 2.1 CURRENT RATING: 10 AMPS
 - 2.2 VOLTAGE RATING: 160 V AC/DC
 - 2.3 OPERATING TEMPERATURE: -20°C TO +130°C
 - 2.4 DIELECTRIC WITHSTANDING VOLTAGE: LESS THAN 2 MILLIAMPS CURRENT LEAKAGE @ 2500 VOLTS AC.
 - 2.5 DEGREE OF PROTECTION: IP67 (MATED CONDITION)
 - 2.6 DEGREE OF POLLUTION: 3 PER UL840
 - 2.7 OVERVOLTAGE CATEGORY: III PER UL840
 - 2.8 MATING CYCLE DURABILITY: >500 CYCLES
 - 2.9 RoHS COMPLIANT
- ALL DIMENSIONS ARE FOR REFERENCE USE ONLY.



QUANTITY	PART NUMBER	DESCRIPTION	ITEM
12	SC000030	CONTACT, SOCKET, Ø1.0mm,CRIMP 24~28AWG	3
12	SC000044	CONTACT, SOCKET, Ø1.0mm,CRIMP 18~22AWG	2
1	MA7RAP1202	CONNECTOR	1

MATERIALS LIST									
SIGNATURES		DATE							
DRAWN: White		Jan.12.2018							
CHECKED: Tod		Jan.12.2018							
ENGINEER:									
APPROVAL: Tommy		Jan.12.2018							
CUSTOMER:									
<p>UNLESS OTHERWISE SPECIFIED</p> <p>1) All dimensions are in metric(mm).</p> <p>2) Tolerances are as follows:</p> <table border="0"> <tr> <td>1 PL DEC ±0.30</td> <td>Fractions ±1/64</td> </tr> <tr> <td>2 PL DEC ±0.15</td> <td>Angles ±1°</td> </tr> <tr> <td>3 PL DEC ±0.08</td> <td></td> </tr> </table> <p>3) Note reference = </p>				1 PL DEC ±0.30	Fractions ±1/64	2 PL DEC ±0.15	Angles ±1°	3 PL DEC ±0.08	
1 PL DEC ±0.30	Fractions ±1/64								
2 PL DEC ±0.15	Angles ±1°								
3 PL DEC ±0.08									
MATERIAL SPECIFICATIONS:									
PROCESS SPECIFICATIONS:									
NEXT ASSY:									
<p>Amphenol</p> <p>Sine Systems - www.amphenol-sine.com 44724 Morley Drive Clinton Township, MI 48036</p>									
<p>KIT,M23A,REC.,RA,12P,P TYPE</p>									
SIZE	TYPE	DWG NO:	REVISION						
B	C-	MA7RAP1202S-KIT	A1						
SCALE: NONE		SHEET 1 OF 1							

TITLE: KIT,M23A,REC.,RA,12P,P TYPE
DWG NO: MA7RAP1202S-KIT
REV: A1
SH: 1
OF: 1

X-ON Electronics

Largest Supplier of Electrical and Electronic Components

Click to view similar products for [Circular Metric Connectors](#) category:

Click to view products by [Amphenol](#) manufacturer:

Other Similar products are found below :

[600X518037X](#) [6STD15PCR99B70A](#) [8R4000A16M020](#) [8R5000A16M005](#) [1200910002](#) [1203580030](#) [1200910008](#) [1200910011](#) [1300140094](#)
[130203-0054](#) [1300140026](#) [1300150099](#) [1-3637-600-5205](#) [1612618](#) [21036836414](#) [8R4006A16M010](#) [1R3006A20M005](#) [41-40011](#) [42-00006](#)
[42-01015](#) [4-22279-4](#) [4-22281-1](#) [4-22284-9](#) [43-00113](#) [43-01203](#) [41-40013](#) [42-00008](#) [43-00343](#) [43-01026](#) [43-01162](#) [43-01173](#) [43-10000](#)
[XS3P-M421-2](#) [600X518050X](#) [8R5006A16M020](#) [8R5006A16M005](#) [8R4000A16M010](#) [6-22279-3](#) [1605332](#) [N03FA03144](#) [1300140077](#) [43-](#)
[16213](#) [43-01338](#) [XS2RD4265](#) [XS2R-D426-1](#) [XS8A-0441](#) [859RD04-103R004](#) [860RD04-113R004](#) [860RD04-213R004](#) [1-213245-2](#)