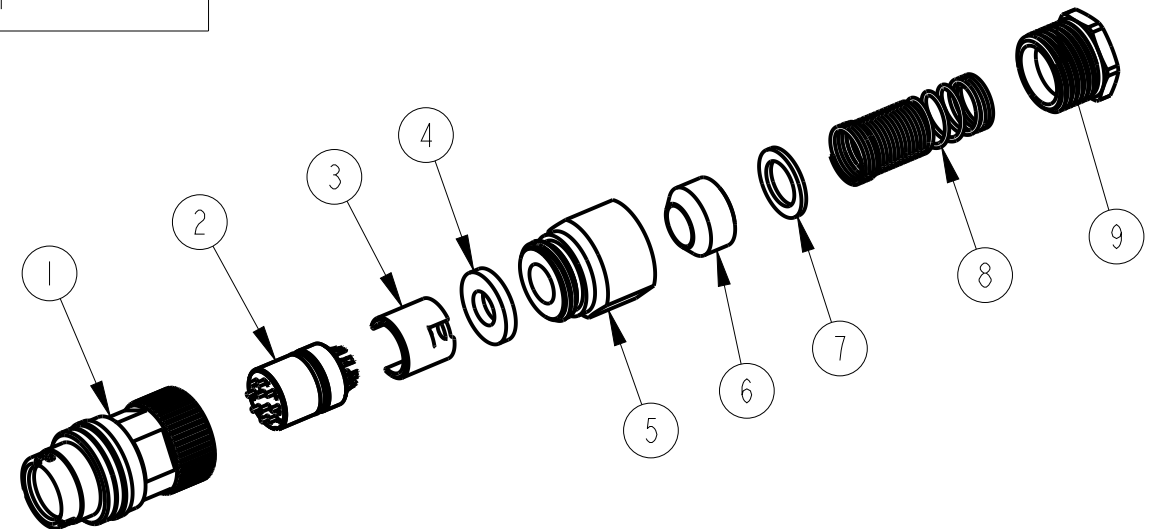
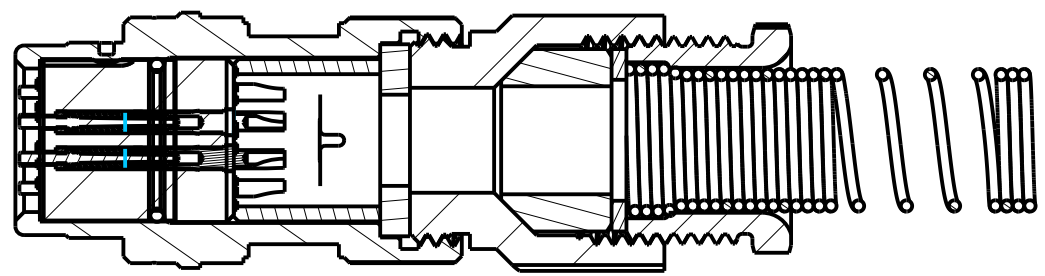
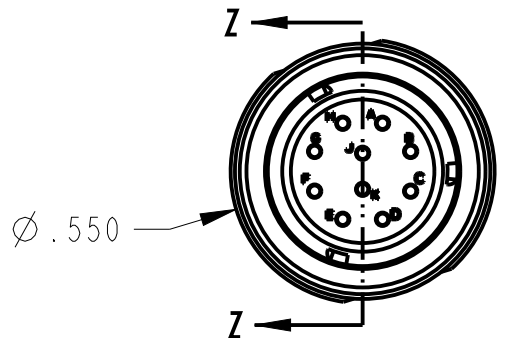
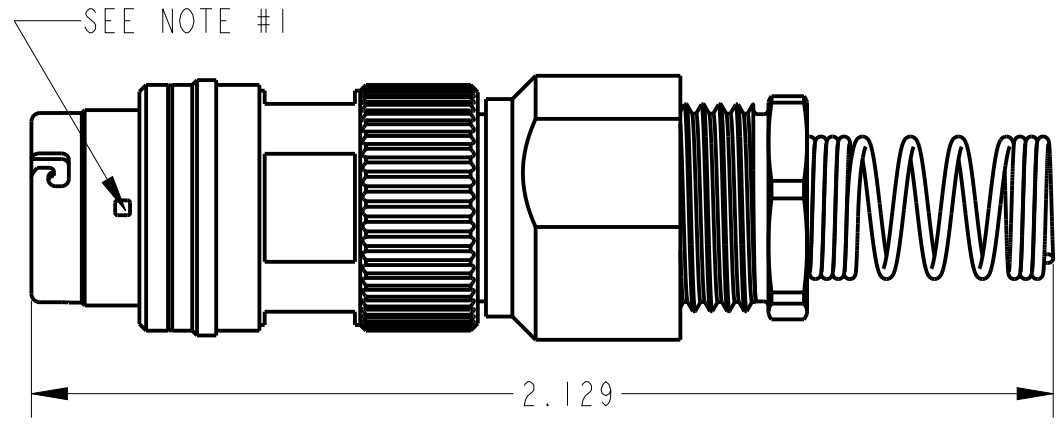


ITEM #	PART #	QTY	DESCRIPTION
1	MAJ-60-12	1	OM PLUG HOUSING
2	MAJ-60-08P	1	JACK INSERT, 10 COND
3	MAP-60-06	1	STRAIN RELIEF
4	MAP-60-07	1	WASHER, RUBBER
5	MAP-60-08	1	NUT, ADAPTER
6	AJ-117BR-9	1	BUSHING - 1/4
7	AJ-117BR-10	1	WASHER - 1/4
8	AJ-117BR-15	1	SPRING - 1/4
9	AJ-117BR-11	1	STUD, SHELL - 1/4

B MAJ-60-30CP



NOTES:  
1) ORANGE ALIGNMENT DIMPLE



SECTION Z-Z

THIS DOCUMENT CONTAINS PROPRIETARY INFORMATION OF NEXUS, INCORPORATED AND SUCH INFORMATION MAY NOT BE DISCLOSED TO OTHERS FOR ANY PURPOSE OR USED FOR ANY PURPOSE WITHOUT THE WRITTEN CONSENT OF NEXUS.

DWN. BY		HR		DATE		8/11/17		MATERIAL	
CHECKED BY				DATE				FINISH	
APPR. BY				DATE				WEIGHT —	
								SCALE = 2.00 : 1	
C		REPLACE CONTACT INSERT WAS MAJ-60-01		1259		10/11 2019		BAM	
B		CHG: MAP-60-06 TO MAP-60-06C		243		9/21 2017		HR	
A		NEW RELEASE				8/11 2017		HR	
LET.		REVISION		CN #		DATE		CHK.	
								UNLESS OTHERWISE SPECIFIED: DIMENSIONS ARE IN INCHES &/OR [mm]	
								TOLERANCES:	
								DECIMAL: .XX[X.X] .XXX[X.XX]	
								±.01[0.3] ±.003[0.08]	
								FRACTION: X/X ANGLES: .X	
								±1/64 ±.5°	
								TITLE	
								10-COND RECEPTACLE	
								ϕ .250 CABLE	
								DO NOT SCALE DWG.	
								SHEET 1 OF 1	
								NEXUS	
								STAMFORD, CONN	
								SIZE	
								B	
								DWG. NO.	
								MAJ-60-30CP	

## X-ON Electronics

Largest Supplier of Electrical and Electronic Components

*Click to view similar products for [Circular DIN Connectors](#) category:*

*Click to view products by [Amphenol](#) manufacturer:*

Other Similar products are found below :

[60KD4M](#) [M83723/76W22326](#) [M83723/78R22327](#) [D38999/24WJ29PA](#) [D38999/26FE99SN L/C](#) [75-474014-07L](#) [88-559975-75P](#)  
[8R3006A18M0033](#) [PT02E1283P](#) [PT05A-14-5SX](#) [PT05A1832SW](#) [PT05E2255PW](#) [PT05SE1832SWLC](#) [PT05SE1832SYLC](#)  
[GTC030-20-27PW-LC](#) [GTC030A-20-33S](#) [PT06SE1811SXLC](#) [1211290078](#) [1211810025](#) [1210120122](#) [ACC06AF-20-23P\(003\)](#) [1210503216](#)  
[1211290084](#) [1211500027](#) [ACS06AF-16-10P\(003\)](#) [D38999/40FB35AN](#) [D38999/40FB35BB](#) [D38999/40WB35BN](#) [D38999/40WD35PN](#)  
[D38999/40WJ29SN-L/C](#) [D38999/40WJ4BN](#) [D38999/42FB35BN](#) [D38999/42WB35AB](#) [D38999/42WB35PB-L/C](#) [D38999/42WJ19AN](#)  
[D38999/42WJ24PN-L/C](#) [D38999/44WB35AN](#) [D38999/44WH21AN](#) [D38999/44WH35AN](#) [D38999/44WJ29BA](#) [D38999/44WJ35PN](#)  
[D38999/44WJ61BA](#) [D38999/46FB35AC](#) [D38999/46FB35SA-L/C](#) [D38999/46FB99BA](#) [D38999/46FJ19SA-L/C](#) [D38999/46FJ29AA](#)  
[D38999/46FJ29AN](#) [D38999/46FJ29PN-L/C](#) [D38999/46FJ61BA](#)