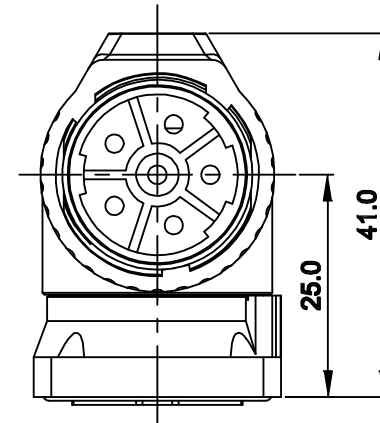
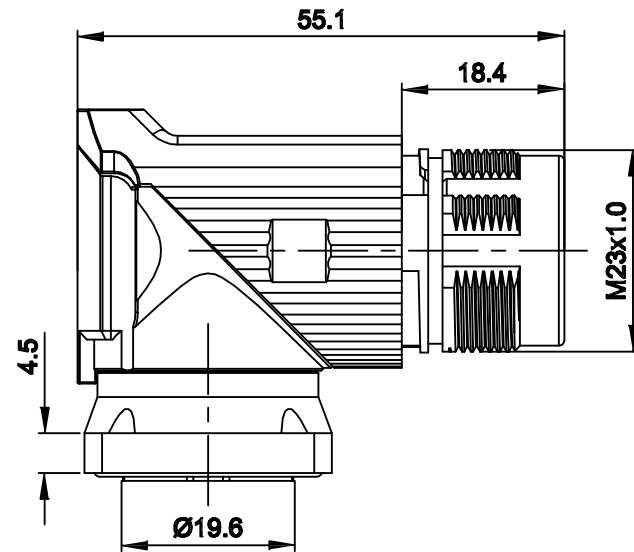
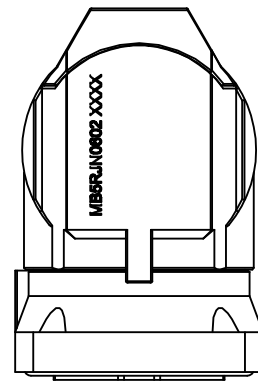


REVISIONS					
REV	ECO	DESCRIPTION	DATE	BY	APPR
A1	-	FIRST RELEASE	Sep.15,2015	Drack	Tommy
A2	-	ADDED PANEL O-RING DETAIL	Oct.23,2015	Drack	Tommy
A3	-	Updated Drawing	Jun.16,2017	White	Tommy

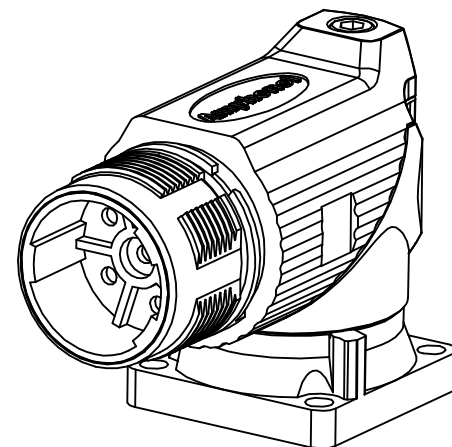
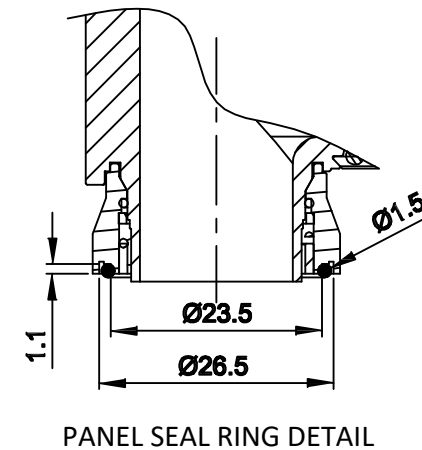
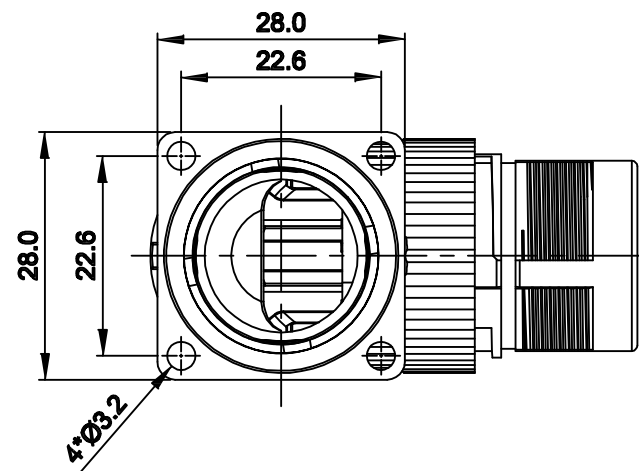
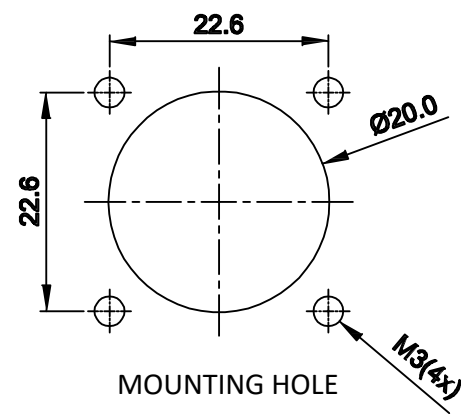


NOTES: UNLESS OTHERWISE SPECIFIED

- MATERIAL:  
INSULATION INSERT: PA66,UL94 V0  
SEAL: VITON  
HOUSING BODY: ZINC DIE CAST, NICKEL PLATED

- SPECIFICATIONS
  - CURRENT RATING: 28 AMPS
  - VOLTAGE RATING: 630 V AC/DC
  - OPERATING TEMPERATURE: -20C TO +130C
  - DIELECTRIC WITHSTANDING VOLTAGE: LESS THAN 2 MILLIAMPS CURRENT LEAKAGE @ 6000 VOLTS AC.
  - DEGREE OF PROTECTION: IP67 (MATED CONDITION)
  - DEGREE OF POLLUTION: 3 PER UL840
  - OVERVOLTAGE CATEGORY: III PER UL840
  - MATING CYCLE DURABILITY: >500 CYCLES
  - RoHS COMPLIANT

3. ALL DIMENSIONS ARE FOR REFERENCE USE ONLY.



TITLE: M23B,REC.,RA,6POS,FLANGE MOUNT,CHECKMATE  
DWG NO: MB5RJN0602  
REV: A3  
SH: 1  
OF: 1

SEE PART NUMBER CHART		DESCRIPTION		ITEM
QUANTITY	PART NUMBER	DESCRIPTION		ITEM
<b>MATERIALS LIST</b>				
UNLESS OTHERWISE SPECIFIED 1) All dimensions are in metric(mm). 2) Tolerances are as follows: 1 PL DEC ±0.30 2 PL DEC ±0.15 3 PL DEC ±0.08 3) Note reference = X		<b>SIGNATURES</b> DRAWN: White CHECKED: Tod ENGINEER: APPROVAL: Tommy		<b>DATE</b> Jun.16,2017 Jun.16,2017 Jun.16,2017
<b>MATERIAL SPECIFICATIONS:</b>		<b>CUSTOMER:</b>		<div style="text-align: center;"> <h1>Amphenol</h1> <p>Sine Systems - www.amphenol-sine.com 44724 Morley Drive Clinton Township, MI 48036</p> </div>
<b>PROCESS SPECIFICATIONS:</b>		THIS DRAWING IS SUPPLIED FOR INFORMATION ONLY. DESIGN FEATURES, SPECIFICATIONS AND PERFORMANCE DATA SHOWN HEREON ARE THE PROPERTY OF THE AMPHENOL CORPORATION. NO RIGHTS OF REPRODUCTION ARE IMPLIED. ALL DIMENSIONS ARE SUBJECT TO NORMAL MANUFACTURING VARIATIONS.		
<b>NEXT ASSY:</b>		SCALE: NONE		
		<b>SIZE</b> B	<b>TYPE</b> C-	<b>DWG NO:</b> MB5RJN0602
				<b>REVISION</b> A3
		SHEET 1 OF 1		

## X-ON Electronics

Largest Supplier of Electrical and Electronic Components

*Click to view similar products for [Circular Metric Connectors](#) category:*

*Click to view products by [Amphenol](#) manufacturer:*

Other Similar products are found below :

[1424048](#) [1021212](#) [600X518037X](#) [6STD09SAM99B70X](#) [6STD15PCR99B70A](#) [1200910002](#) [1203580030](#) [1200700064](#) [1200700263](#)  
[1200700416](#) [1200730102](#) [1200770002](#) [1-2823588-2](#) [130203-0054](#) [1300140026](#) [1300150099](#) [1-3637-600-5205](#) [1545399](#) [1594331](#) [1600413](#)  
[1612606](#) [1612618](#) [1614660](#) [1A4000-348](#) [21036836414](#) [2823064-1](#) [1610759](#) [1R3006A20M005](#) [41-01016](#) [41-40011](#) [41-40017](#) [42-00006](#) [42-](#)  
[01015](#) [4-22279-4](#) [4-22281-1](#) [4-22284-9](#) [43-00002](#) [43-00113](#) [43-00130](#) [43-01028](#) [43-01034](#) [43-01090](#) [43-01203](#) [43-01209](#) [43-01335](#)  
[CA06EA2219S](#) [CA3101ER2214P](#) [CA3106R14S-7S-F80-A95](#) [41-40005](#) [41-40013](#)