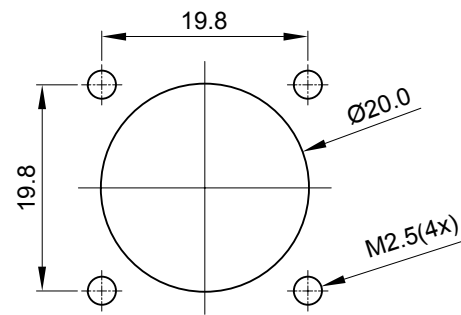
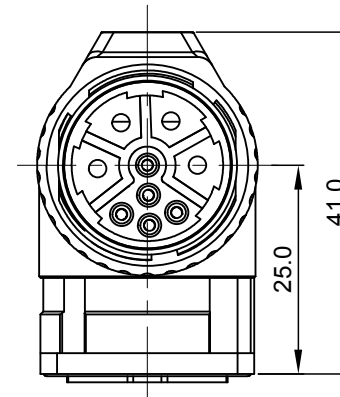
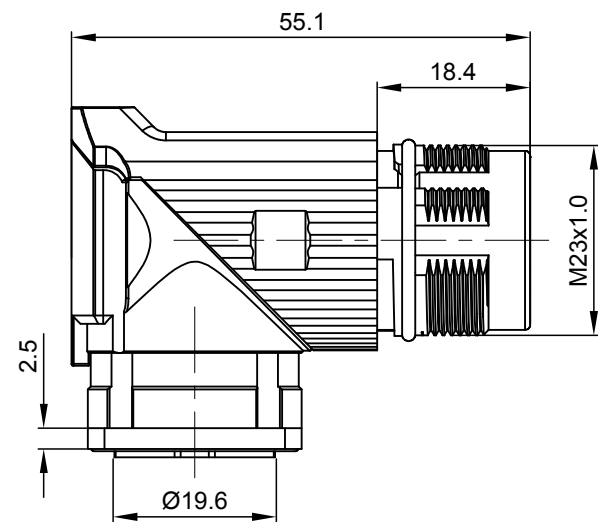
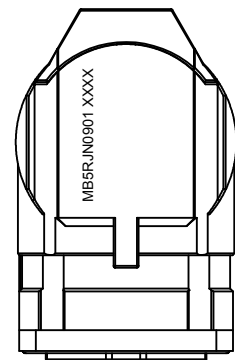
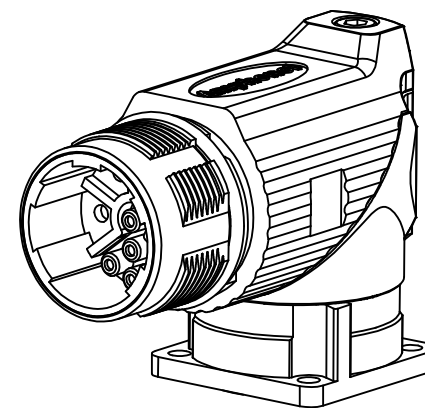
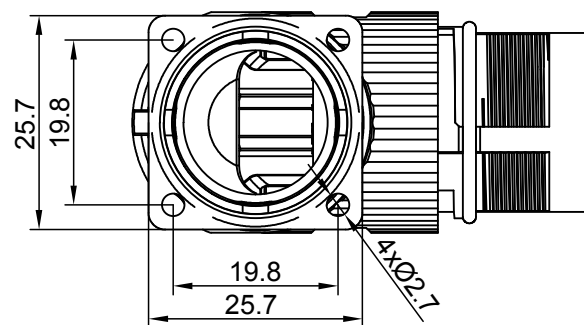


| REVISIONS |     |               |             |       |       |
|-----------|-----|---------------|-------------|-------|-------|
| REV       | ECO | DESCRIPTION   | DATE        | BY    | APPR  |
| A1        | -   | FIRST RELEASE | Jan.12.2018 | White | Tommy |



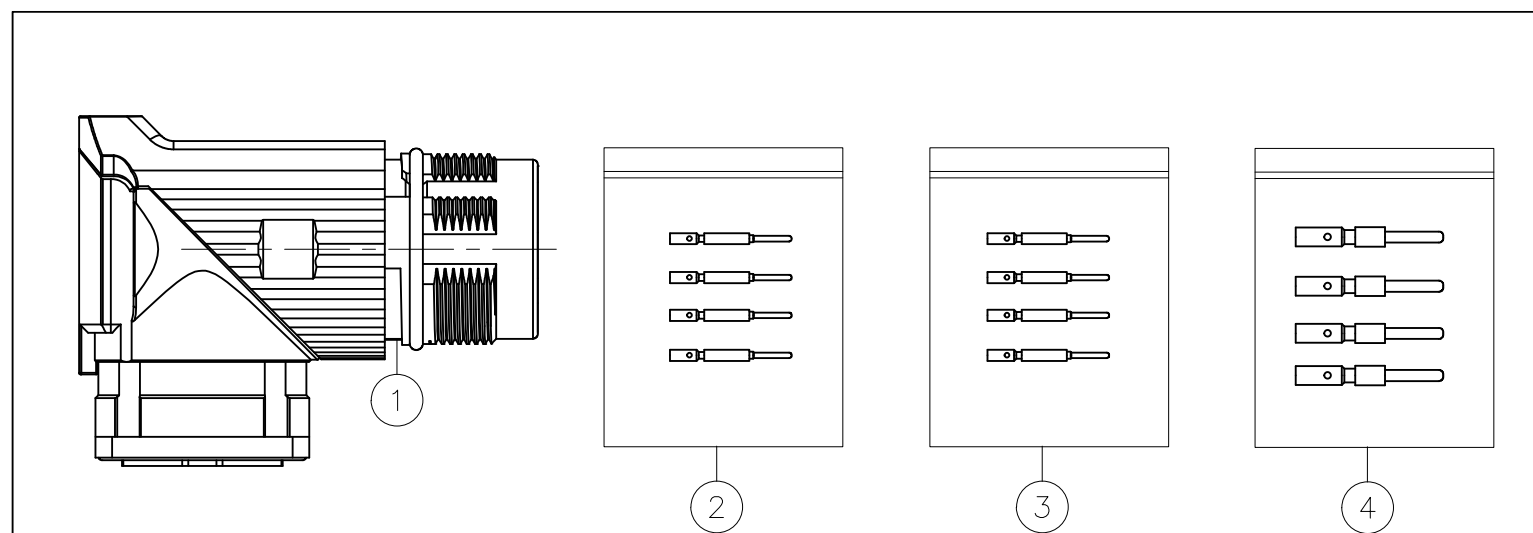
MOUNTING HOLE



NOTES: UNLESS OTHERWISE SPECIFIED

- MATERIAL:  
INSULATION INSERT: PA66, UL94 V0  
SEAL: VITON  
HOUSING BODY: ZINC DIE CAST, NICKEL PLATED  
CONTACT: COPPER ALLOY, GOLD PLATED
- SPECIFICATIONS:
  - CURRENT RATING: SIGNAL: 10 AMPS  
POWER: 30AMPS
  - VOLTAGE RATING: SIGNAL: 250V AC/DC  
POWER: 630V AC/DC
  - OPERATING TEMPERATURE: -20°C TO +130°C
  - DIELECTRIC WITHSTANDING VOLTAGE: LESS THAN 2 MILLIAMPS CURRENT LEAKAGE @ SIGNAL: 2500VOLTS AC.  
POWER: 6000 VOLTS AC.
  - DEGREE OF PROTECTION: IP67 ( MATED CONDITION )
  - DEGREE OF POLLUTION: 3 PER UL840
  - OVERVOLTAGE CATEGORY: III PER UL840
  - MATING CYCLE DURABILITY: >500 CYCLES
  - RoHS COMPLIANT

3. ALL DIMENSIONS ARE FOR REFERENCE USE ONLY.



| QUANTITY              | PART NUMBER | DESCRIPTION                          | ITEM |
|-----------------------|-------------|--------------------------------------|------|
| 4                     | SC000262    | CONTACT, PIN, Ø2.0mm, CRIMP 14~18AWG | 4    |
| 5                     | SC000386    | CONTACT, PIN, Ø1.0mm, CRIMP 24~28AWG | 3    |
| 5                     | SC000261    | CONTACT, PIN, Ø1.0mm, CRIMP 18~22AWG | 2    |
| 1                     | MB7RJN0901  | CONNECTOR                            | 1    |
| SEE PART NUMBER CHART |             |                                      |      |

| MATERIALS LIST           |             |  |          |      |         |          |   |    |                |    |             |  |              |  |
|--------------------------|-------------|--|----------|------|---------|----------|---|----|----------------|----|-------------|--|--------------|--|
| SIGNATURES               | DATE        |  |          |      |         |          |   |    |                |    |             |  |              |  |
| DRAWN: White             | Jan.12.2018 | <h1 style="text-align: center;">Amphenol</h1> <p style="text-align: center;">Sine Systems - www.amphenol-sine.com<br/>44724 Morley Drive<br/>Clinton Township, MI 48036</p>  |          |      |         |          |   |    |                |    |             |  |              |  |
| CHECKED: Tod             | Jan.12.2018 |  |          |      |         |          |   |    |                |    |             |  |              |  |
| ENGINEER:                |             |  |          |      |         |          |   |    |                |    |             |  |              |  |
| APPROVAL: Tommy          | Jan.12.2018 |  |          |      |         |          |   |    |                |    |             |  |              |  |
| MATERIAL SPECIFICATIONS: |             | CUSTOMER:  |          |      |         |          |   |    |                |    |             |  |              |  |
| PROCESS SPECIFICATIONS:  |             | <p style="text-align: center;">KIT, M23B, REC., RA, 9POS(4+5), FLANGE MOUNT</p>  |          |      |         |          |   |    |                |    |             |  |              |  |
| NEXT ASSY:               |             | <table border="1" style="width: 100%;"> <tr> <td>SIZE</td> <td>TYPE</td> <td>DWG NO:</td> <td>REVISION</td> </tr> <tr> <td>B</td> <td>C-</td> <td>MB7RJN0901-KIT</td> <td>A1</td> </tr> <tr> <td colspan="2">SCALE: NONE</td> <td colspan="2">SHEET 1 OF 1</td> </tr> </table> | SIZE     | TYPE | DWG NO: | REVISION | B | C- | MB7RJN0901-KIT | A1 | SCALE: NONE |  | SHEET 1 OF 1 |  |
| SIZE                     | TYPE        | DWG NO:  | REVISION |      |         |          |   |    |                |    |             |  |              |  |
| B                        | C-          | MB7RJN0901-KIT   | A1       |      |         |          |   |    |                |    |             |  |              |  |
| SCALE: NONE              |             | SHEET 1 OF 1   |          |      |         |          |   |    |                |    |             |  |              |  |

TITLE: KIT, M23B, REC., RA, 9POS(4+5), FLANGE MOUNT  
 DWG NO: MB7RJN0901-KIT  
 REV: A1  
 SH: 1  
 OF: 1

## X-ON Electronics

Largest Supplier of Electrical and Electronic Components

*Click to view similar products for [Circular Metric Connectors](#) category:*

*Click to view products by [Amphenol](#) manufacturer:*

Other Similar products are found below :

[600X518037X](#) [6STD15PCR99B70A](#) [8R4000A16M020](#) [8R5000A16M005](#) [1200910002](#) [1203580030](#) [1200910008](#) [1200910011](#) [1300140094](#)  
[130203-0054](#) [1300140026](#) [1300150099](#) [1-3637-600-5205](#) [1612618](#) [21036836414](#) [8R4006A16M010](#) [1R3006A20M005](#) [41-40011](#) [42-00006](#)  
[42-01015](#) [4-22279-4](#) [4-22281-1](#) [4-22284-9](#) [43-00113](#) [43-01203](#) [41-40013](#) [42-00008](#) [43-00343](#) [43-01026](#) [43-01162](#) [43-01173](#) [43-10000](#)  
[XS3P-M421-2](#) [600X518050X](#) [8R5006A16M020](#) [8R5006A16M005](#) [8R4000A16M010](#) [6-22279-3](#) [1605332](#) [N03FA03144](#) [1300140077](#) [43-](#)  
[16213](#) [43-01338](#) [XS2RD4265](#) [XS2R-D426-1](#) [XS8A-0441](#) [859RD04-103R004](#) [860RD04-113R004](#) [860RD04-213R004](#) [1-213245-2](#)